



www.BakeMax.com

Project: \_\_\_\_\_

Item: \_\_\_\_\_

Qty: \_\_\_\_\_ Date: \_\_\_\_\_

## BakeMax BMSIE010 Countertop Mini Electric Griddle

The BakeMax Mini Electric Flat Top Griddle offers superior heating and ensures even heating over the entire cooking surface. The griddle is thermostatically controlled for accuracy and can be heated up to 572°F. Plus, the cooking surface retains heat for optimal cooking. The internally mounted grease collection pan makes cleaning easier while the polished finish enhances its appearance.



### Features:

- Stylish and Professional Design
- Easy to clean and hygienic.
- The entire outer body is stainless steel
- Thermostatically controlled
- Easy to remove and install oil container
- High Limit
- Thermostatic control capable of 122-572°F (50-300°C )
- Stainless steel protection plate prevents oil splashing to the back and sides
- Thanks to the wide oil drain hole, waste generated during cooking easily flows into the oil container. The oil container can be easily removed from the front of the device.
- 1-Year Limited Warranty



Intertek Intertek

### Product Specifications:

- Dimensions (WDH): 15.9" x 17.5" x 9.64"
- Weight: 33 lbs.

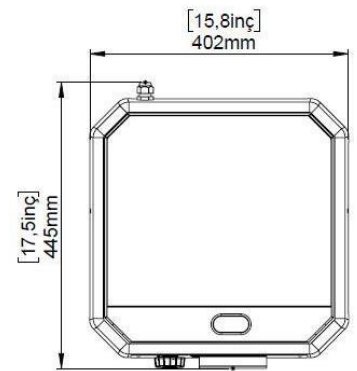
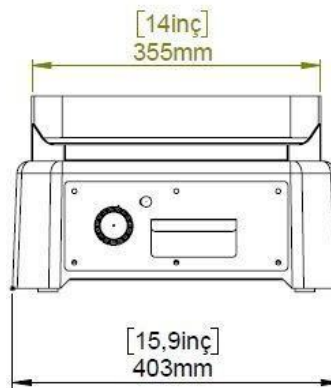
### Shipping Specifications:

- Dimensions (WDH): 17" x 20" x 12"
- Weight: 35 lbs.

### Electrical Specifications:

- 208V / 12A / 2500W / 60Hz / 1Ph

\*Available with Ribbed Grill Model # BMSIE011



\*Due to continuous product improvement, specifications are subject to change without notice.

BakeMax ® / Titan Ventures International Inc.

### Warehouses:

20 Caribou St, Moncton, NB E1H 0P3   
 5705 Valley Belt Rd Independence, OH 44131   
 1201 E 27th Terrace Pittsburg, KS 66762

Toll Free: 1-800-565-BAKE (2253)

Phone: 506-858-8990

Fax: 506- 859-6929

Email: Sales@BakeMax.com