









BLUELAVA



STOCK POT BLSP2-L

PRODUCT DESCRIPTION

-  *Stainless Steel Pilots and tubing.*
-  *Heavy Duty Cast Iron 3-Ring Burner. 80,000 BTU/H*
-  *Each burner is equipped with two continuous pilots.*
-  *Cast Iron top grates*
-  *Manual controls operate inner and outer rings independently*
-  *Stock Pots are all Natural Gas (NG) Standard. LP conversion kit is included.*
-  *Stainless steel legs standard.*
-  *Full length seamless drip pan for easy cleanup.*



Catch Tray



Ventilation



Legs



Knobs



Cast Iron Cooking Surface

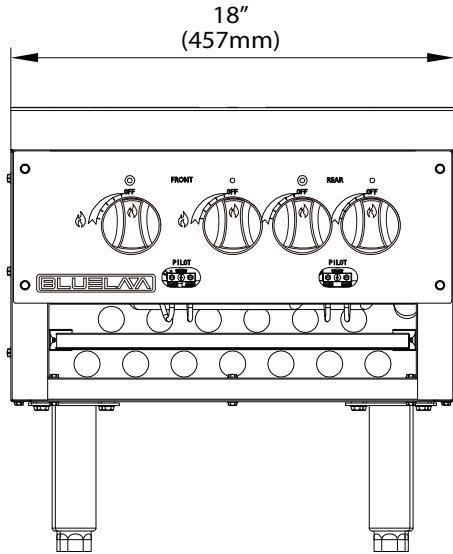
MODEL#	DIMENSIONS		
	Width	Depth	Height
BLSP2-L	18 in	42 1/4 in	18 in

* All measurement are presented in Inches



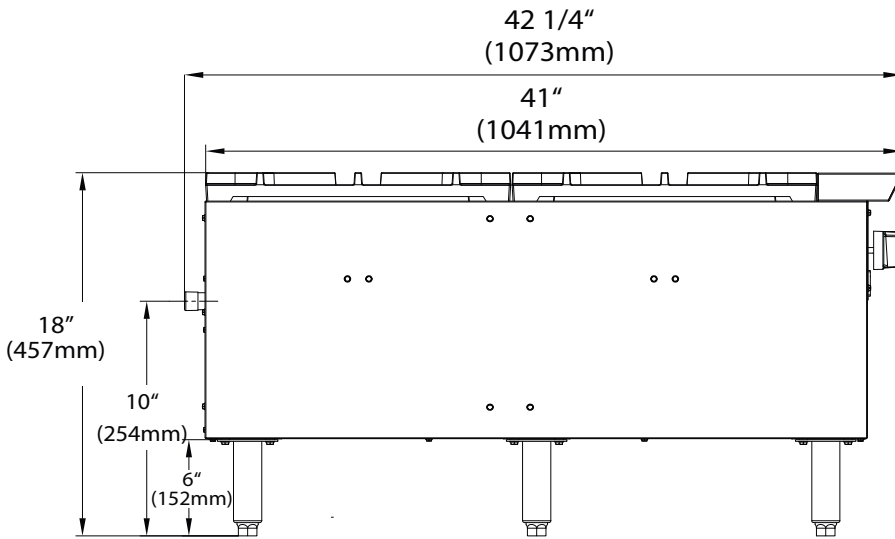
DETAILS & SPECIFICATIONS

STOCK POT BLSP2-L

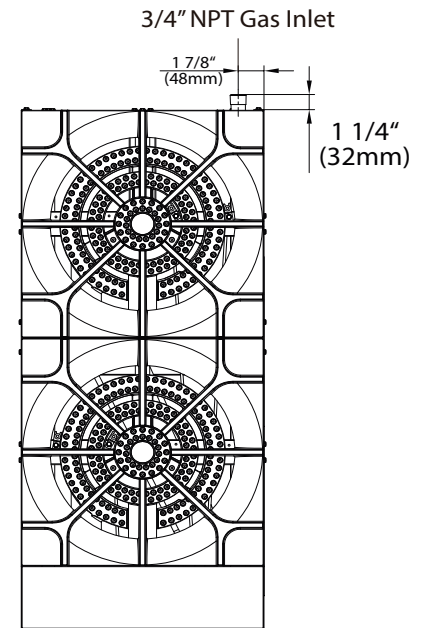


Front View

BLSP2-L	
GAS	NG/Propane
BURNERS	4
BTU/H PER BURNER	40,000
TOTAL BTU/H	160,000
GAS PRESSURE	NG: 5 "WC Propane: 10 "WC
NOZZLE	NG: 32# Propane: 48#



Side View



Top View

Model	Packaging Dimensions (inches)			Net Weight (lbs)	Ship Weight (lbs)	Container Capacity 40' HQ
	W	D	H			
BLSP2-L	21 1/8"	45 1/2"	22 1/2"	224	310	132