

TECHNICAL DATA

Dimensions

Exterior Dimensions (WxDxH)	35.43" x 33.5" x 47.25"
Interior Dimensions (WxDxH)	27.56" x 27" x 22"
Packaging Dimensions (WxDxH)	39" x 36.25" x 51"
Packaged Weight	528 lbs

Construction

Exterior Material	201 series stainless steel
Interior Material	Glass
Insulation Material	Foamed in place polyurethane
Shelf Load Capacity	44 lbs

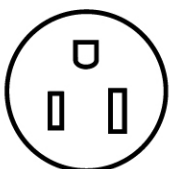
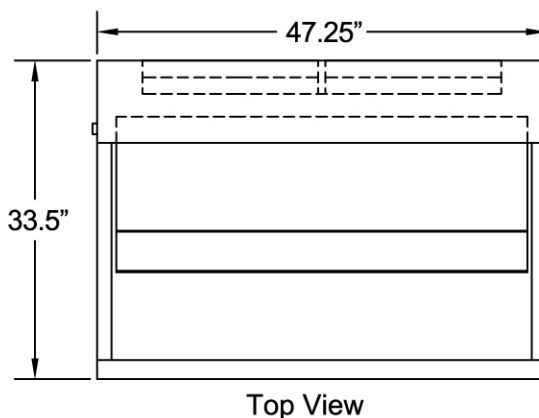
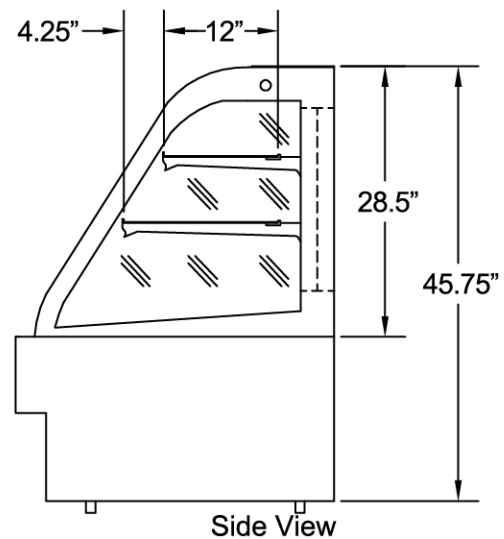
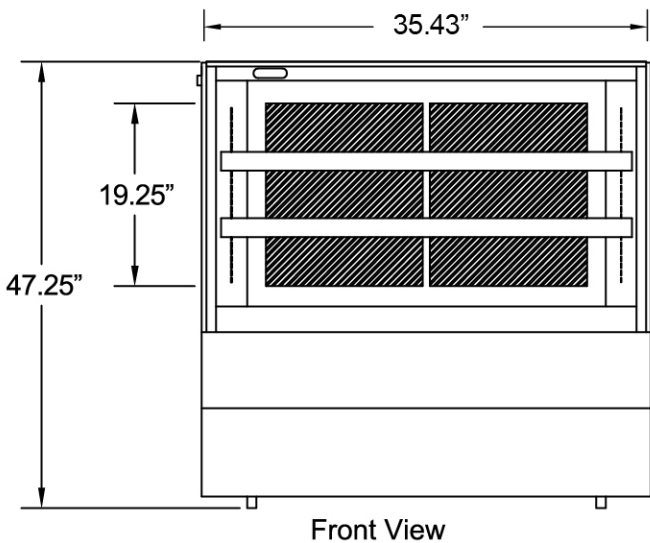
Electrical

Fuse	25A
Voltage	110
Hz	60
Phase	1

Cooling

Temperature Range	33° - 40° F
Refrigerant	R290
Maximum Ambient	90° F
Defrosting	Automatic
Temperature Display	Yes
Temperature Controller	Mechanical
Compressor	SC 12G Secop
Condenser	4*10*290
Evaporator	4*5*550
Cap Tube	φ1.2×1800
Fan Condenser	YZF18-30
Fan Evaporator	120*120
Thermostat	SF-212S

PLAN VIEW



NEMA 5-15