



## Overhead Strip Warmers

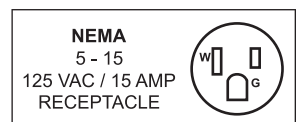
Models FW-CN-0001-B, 0002-B, 0003-B, 0004-B  
Items 46687, 46640, 46697, 46698  
**Instruction Manual**



*Revised - 09/25/2020*



Toll Free: 1-800-465-0234  
Fax: 905-607-0234  
Email: [service@omcan.com](mailto:service@omcan.com)  
[www.omcan.com](http://www.omcan.com)



# ***Table of Contents***

Model FW-CN-0001-B / Model FW-CN-0002-B  
Model FW-CN-0003-B / Model FW-CN-0004-B

---

<b>Section</b>	<b>Page</b>
General Information -----	3 - 4
Safety and Warranty -----	4 - 5
Technical Specifications -----	6
Installation -----	6 - 7
Operation -----	8
Maintenance -----	8
Troubleshooting -----	8
Parts Breakdown -----	9 - 11
Electrical Schematics -----	12
Notes -----	13 - 14
Warranty Registration -----	15



# General Information

---

Omcan Manufacturing and Distributing Company Inc., Food Machinery of America, Inc. dba Omcan and Omcan Inc. are not responsible for any harm or injury caused due to any person's improper or negligent use of this equipment. The product shall only be operated by someone over the age of 18, of sound mind, and not under the influence of any drugs or alcohol, who has been trained in the correct operation of this machine, and is wearing authorized, proper safety clothing. Any modification to the machine voids any warranty, and may cause harm to individuals using the machine or in the vicinity of the machine while in operation.

## CHECK PACKAGE UPON ARRIVAL

Upon receipt of an Omcan shipment please inspect for external damage. If no damage is evident on the external packaging, open carton to ensure all ordered items are within the box, and there is no concealed damage to the machine. If the package has suffered rough handling, bumps or damage (visible or concealed), please note it on the bill of lading before accepting the delivery and contact Omcan within 24 hours, so we may initiate a claim with the carrier. A detailed report on the extent of the damage caused to the machine must be filled out within three days, from the delivery date shown in the shipping documents. Omcan has no recourse for damaged products that were shipped collect or third party.

**Before operating any equipment, always read and familiarize yourself with all operation and safety instructions.**

Omcan would like to thank you for purchasing this machine. It's of the utmost importance to save these instructions for future reference. Also save the original box and packaging for shipping the equipment if servicing or returning of the machine is required.

---

Omcan Fabrication et distribution Compañie Limité et Food Machinery d'Amérique, dba Omcan et Omcan Inc. ne sont pas responsables de tout dommage ou blessure causé du fait que toute personne ait utilisé cet équipement de façon irrégulière. Le produit ne doit être exploité que par quelqu'un de plus de 18 ans, saine d'esprit, et pas sous l'influence d'une drogue ou d'alcool, qui a été formé pour utiliser cette machine correctement, et est vêtu de vêtements de sécurité approprié. Toute modification de la machine annule toute garantie, et peut causer un préjudice à des personnes utilisant la machine ou des personnes à proximité de la machine pendant son fonctionnement.

## VÉRIFIEZ LE COLIS DÈS RÉCEPTION

Dès réception d'une expédition d'Omcan veuillez inspecter pour dommages externes. Si aucun dommage n'est visible sur l'emballage externe, ouvrez le carton afin de s'assurer que tous les éléments commandés sont dans la boîte, et il n'y a aucun dommage dissimulé à la machine. Si le colis n'a subi aucune mauvaises manipulations, de bosses ou de dommages (visible ou cachée), notez-le sur le bond de livraison avant d'accepter la livraison et contactez Omcan dans les 24 heures qui suivent, pour que nous puissions engager une réclamation auprès du transporteur. Un rapport détaillé sur l'étendue des dommages causés à la machine doit être rempli dans un délai de trois jours, à compter de la date de livraison indiquée dans les documents d'expédition. Omcan n'a aucun droit de recours pour les produits endommagés qui ont été expédiés ou cueilli par un tiers transporteur.

# General Information

---

Avant d'utiliser n'importe quel équipement, toujours lire et vous familiariser avec toutes les opérations et les consignes de sécurité.

Omcan voudrais vous remercier d'avoir choisi cette machine. Il est primordial de conserver ces instructions pour une référence ultérieure. Également conservez la boîte originale et l'emballage pour l'expédition de l'équipement si l'entretien ou le retour de la machine est nécessaire.

---

Omcan Empresa De Fabricacion Y Distribucion Inc. Y Maquinaria De Alimentos De America, Inc. dba Omcan y Omcan Inc. no son responsables de ningun daño o perjuicio causado por cualquier persona inadecuada o el uso descuidado de este equipo. El producto solo podra ser operado por una persona mayor de 18 años, en su sano juicio y no bajo alguna influencia de droga o alcohol, y que este ha sido entrenado en el correcto funcionamiento de esta máquina, y ésta usando ropa apropiada y autorizada. Cualquier modificación a la máquina anula la garantía y puede causar daños a las personas usando la máquina mientras esta en el funcionamiento.

## REVISE EL PAQUETE A SU LLEGADA

Tras la recepcion de un envio Omcan favor inspeccionar daños externos. Si no hay daños evidentes en el empaque exterior, Habra el carton para asegurarse que todos los articulos solicitados estén dentro de la caja y no encuentre daños ocultos en la máquina. Si el paquete ha sufrido un manejo de poco cuidado, golpes o daños (visible o oculto) por favor anote en la factura antes de aceptar la entrega y contacte Omcan dentro de las 24 horas, de modo que podamos iniciar una reclamación con la compañía. Un informe detallado sobre los daños causados a la máquina debe ser llenado en el plazo de tres días, desde la fecha de entrega que se muestra en los documentos de envío. Omcan no tiene ningun recurso por productos dañados que se enviaron a recoger por terceros.

Antes de utilizar cualquier equipo, siempre lea y familiarizarse con todas las instrucciones de funcionamiento y seguridad.

Omcan le gustaría darle las gracias por la compra de esta máquina. Es de la mayor importancia para salvar estas instrucciones para futuras consultas. Además, guarda la caja original y el embalaje para el envío del equipo si servicio técnico o devolución de la máquina que se requiere.

# Safety and Warranty

---

## READ ALL INSTRUCTIONS BEFORE USING

- The appliance may only be installed and connected to the power supply, maintained, and repaired by a qualified electrician in accordance with local safety regulations. Do not repair or replace any part of the appliance unless specified in this manual.
- Work performed incorrectly may put your safety at risk
- This appliance is for commercial use only. Use for any other purpose is at the owners risk and could be

# *Safety and Warranty*

---

dangerous. The manufacture cannot be held responsible for damage or injury caused by the improper use of this appliance.

- Caution: Keep children away from this appliance. Children should not be left alone or unattended in the area where the appliance is in use. They should never sit or stand on any part of the appliance.
- Do not touch the cooking surface or any areas near it.
- The connecting cable must not come into contact with the hot cooking surface.
- Do not switch the cooker on unless it is being used.
- Do not put kitchen foil or plastic on the cooking surface. Any object that can melt (i.e. plastics, foils, sugar) must be kept away from the cooking surface.
- Lime deposits are harmful to the cooking surface.

## **1 YEAR PARTS AND LABOUR WARRANTY**

**Within the warranty period, contact Omcan Inc. at 1-800-465-0234 to schedule an Omcan authorized service technician to repair the equipment locally.**

**Unauthorized maintenance will void the warranty. Warranty covers electrical and part failures, not improper use.**

**Please see <https://omcan.com/disclaimer> for complete info.**

### **WARNING:**

The packaging components are classified as normal solid urban waste and can therefore be disposed of without difficulty.

**In any case, for suitable recycling, we suggest disposing of the products separately (differentiated waste) according to the current norms.**

**DO NOT DISCARD ANY PACKAGING MATERIALS IN THE ENVIRONMENT!**

# Technical Specifications

Model	FW-CN-0001-B	FW-CN-0002-B	FW-CN-0003-B	FW-CN-0004-B
Material	430 Stainless Steel			
Power	500W	850W	1200W	1550W
Electrical	120V / 60Hz			
Heating Source	Electric Heating Element			
Net Dimensions (WDH)	25.8" x 6.1" x 3.9" 655 x 154 x 98mm	37.8" x 6.1" x 3.9" 960 x 154 x 98mm	49.8" x 6.1" x 3.9" 1265 x 154 x 98mm	61.8" x 6.1" x 3.9" 1570 x 154 x 98mm
Gross Dimensions (WDH)	26.8" x 8.7" x 5.5" 680 x 220 x 140mm	39" x 8.7" x 5.5" 990 x 220 x 140mm	50.8" x 8.7" x 5.5" 1290 x 220 x 140mm	63" x 8.7" x 5.5" 1600 x 220 x 140mm
Net Weight	6.2 lbs. / 2.8 kgs.	8.4 lbs. / 3.8 kgs.	10.6 lbs. / 4.8 kgs.	13 lbs. / 5.9 kgs.
Gross Weight	7.7 lbs. / 3.5 kgs.	10.6 lbs. / 4.8 kgs.	13.7 lbs. / 6.2 kgs.	15.9 lbs. / 7.2 kgs.
Item Number	46687	46640	46697	46698

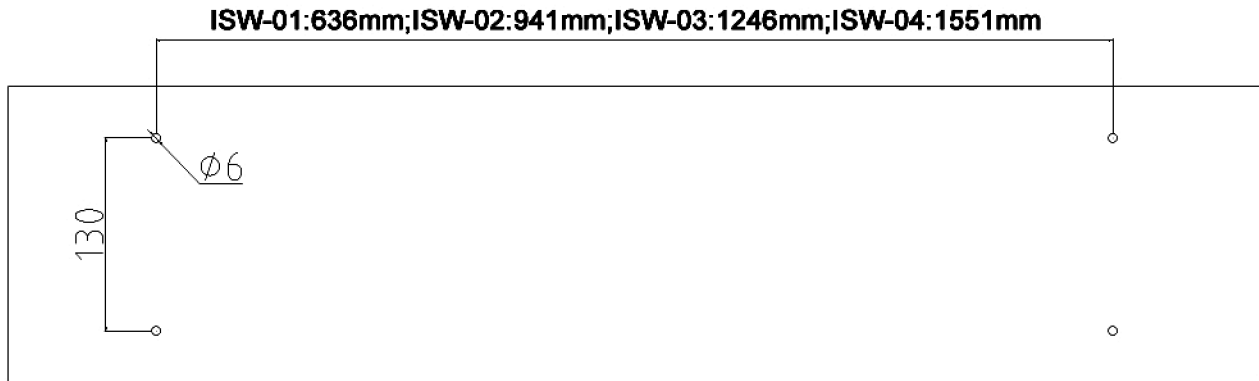
## Installation

1. Open the carton, you will find 2 mounting brackets and 1 Main body.
2. There are 2 screws on each side of the Main Body, before assembly you should remove them from the base, then affix the Mounting Brackets on the base of the Main Body tightly.

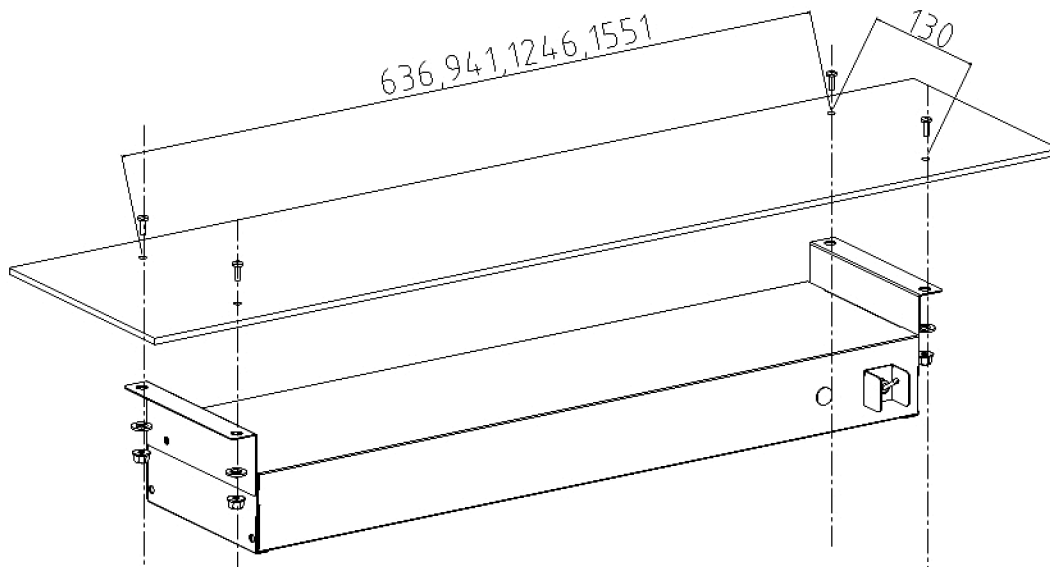


**Caution:** To prevent combustion or damage to materials, do not install the unit less than 10" (254mm) above a non-metallic surface.

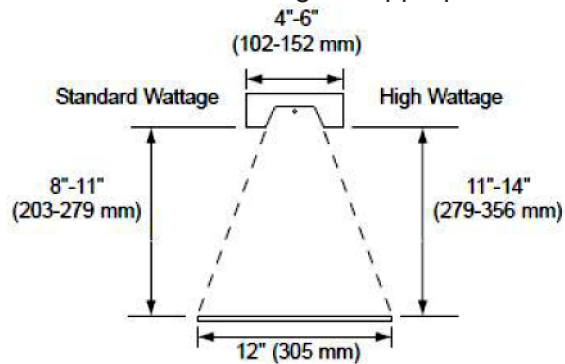
# Installation



1. Mounting the unit under a shelf, please drill 4 holes (6mm diameter) as shown above.



2. Align the 4 drilled holes of the shelf with the bracket plate mounting holes of the unit. Secure the brackets with the supplied screws and nuts.
3. Fasten the bracket to the underside of the shelf using the appropriate fasteners (not included).



4. Recommended element height (see above).

# Operation

---

- All foodservice equipment should be operated by trained personnel.
- Do not allow your customers to come into contact with any surface labeled “CAUTION HOT”.
- Switch on the unit. Place precooked product under the heat source. Maximum heat coverage is equivalent to unit length.
- Never hold food below 150°F.

# Maintenance

---

## CLEANING

- Never clean any electrical units by immersing it in water.
- Never clean any electrical units with water jets.
- Disconnect power before cleaning or servicing unit.
- Clean unit daily. Use warm, soapy water. Mild cleansers and non-abrasive pads may be used to remove baked-on food.

# Troubleshooting

---

## ALWAYS CHECK THE FOLLOWING WHEN ISSUES ARISE:

- Is the unit connected to a live power source?
- Check the circuit breaker.
- Is the power switch on and the pilot light illuminating?
- Check the rating plate. Is the unit operating on the proper voltage?

If the above has been checked and there is still an issue with your unit, please contact Omcan directly.

## REFERENCE

Item Number	Model Number	Description	Manufacturer Model Number
46687	FW-CN-0001-B	Overhead Strip Warmer 24" with Infinite Control 500W 110V/60/1 ETLus	ISW-24-INF
46640	FW-CN-0002-B	Overhead Strip Warmer 36" with Infinite Control 850W 110V/60/1 ETLus	ISW-36-INF
46697	FW-CN-0003-B	Overhead Strip Warmer 48" with Infinite Control 1200W 110V/60/1 ETLus	ISW-48-INF
46698	FW-CN-0004-B	Overhead Strip Warmer 60" with Infinite Control 1550W 110V/60/1 ETLus	ISW-60-INF



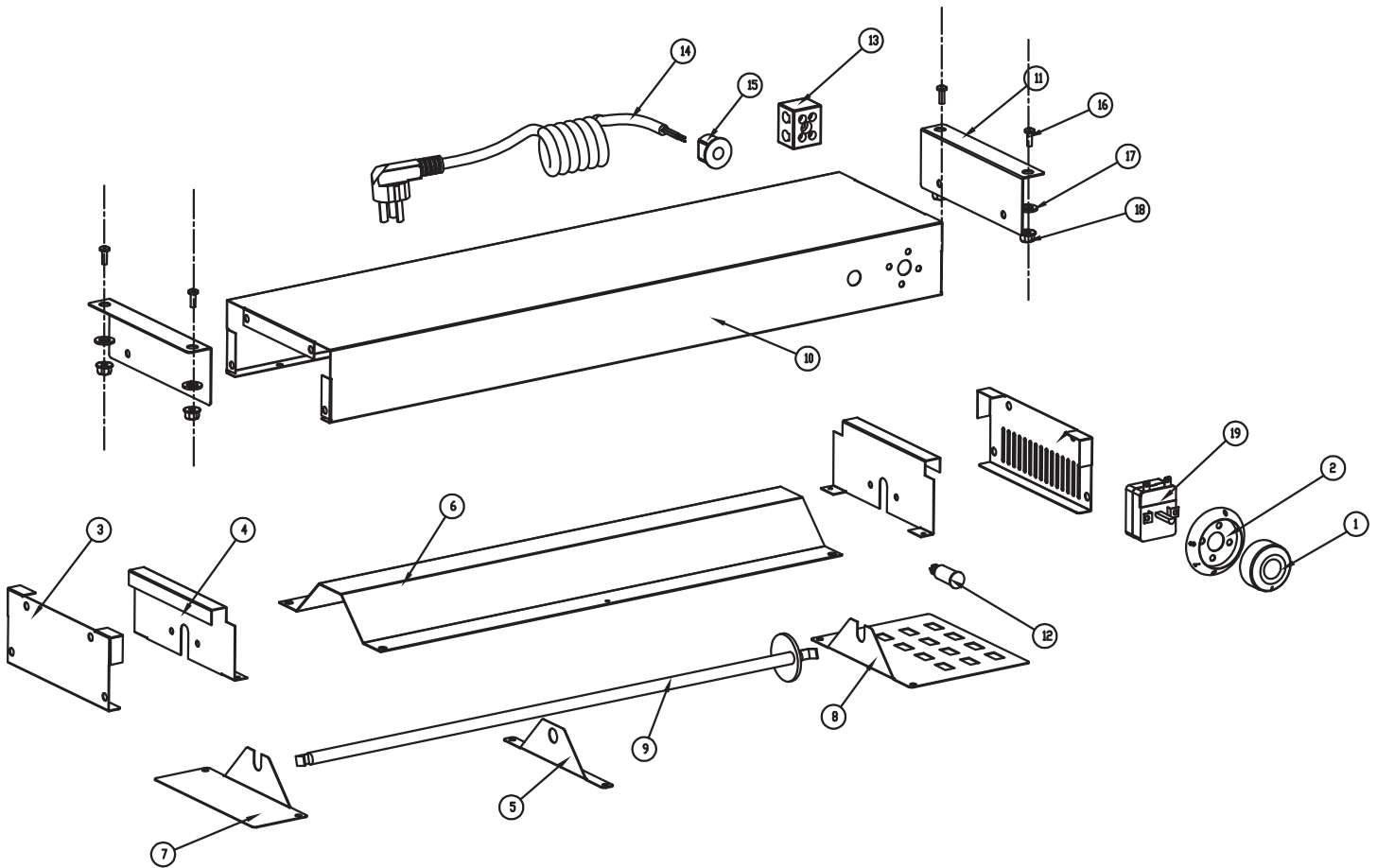
# Parts Breakdown

**Model FW-CN-0001-B** 46687

**Model FW-CN-0002-B** 46640

**Model FW-CN-0003-B** 46697

**Model FW-CN-0004-B** 46698



# Parts Breakdown

## Model FW-CN-0001-B 46687

Item No.	Description	Position	Item No.	Description	Position	Item No.	Description	Position
AD131	Knob for ISW-24-INF	1	AD138	Bottom Board of Control Box for ISW-24-INF	8	AD145	Power Cord Fixer for ISW-24-INF	15
AD132	Knob Base for ISW-24-INF	2	AD139	Heater for ISW-24-INF	9	AD146	Screws for ISW-24-INF	16
AD133	Left Side Board for ISW-24-INF	3	AD140	Outer Cover for ISW-24-INF	10	AD147	Washers for ISW-24-INF	17
AD134	Top-Left Heater Fixer for ISW-24-INF	4	AD141	Bracket for ISW-24-INF	11	AD148	Nuts for ISW-24-INF	18
AD135	Mid Heater Fixer for ISW-24-INF	5	AD142	Indicator for ISW-24-INF	12	AD149	Energy Regulator for ISW-24-INF	19
AD136	Reflector for ISW-24-INF	6	AD143	Terminal Block for ISW-24-INF	13	AD150	Right Side Board for ISW-24-INF	20
AD137	Bottom-Left Heater Fixer for ISW-24-INF	7	AD144	Power Cord and Plug for ISW-24-INF	14			

## Model FW-CN-0002-B 46640

Item No.	Description	Position	Item No.	Description	Position	Item No.	Description	Position
AD131	Knob for ISW-36-INF	1	AD152	Bottom Board of Control Box for ISW-36-INF	8	AD145	Power Cord Fixer for ISW-36-INF	15
AD132	Knob Base for ISW-36-INF	2	AD153	Heater for ISW-36-INF	9	AD146	Screws for ISW-36-INF	16
AD133	Left Side Board for ISW-36-INF	3	AD154	Outer Cover for ISW-36-INF	10	AD147	Washers for ISW-36-INF	17
AD134	Top-Left Heater Fixer for ISW-36-INF	4	AD141	Bracket for ISW-36-INF	11	AD148	Nuts for ISW-36-INF	18
AD135	Mid Heater Fixer for ISW-36-INF	5	AD142	Indicator for ISW-36-INF	12	AD149	Energy Regulator for ISW-36-INF	19
AD151	Reflector for ISW-36-INF	6	AD143	Terminal Block for ISW-36-INF	13	AD150	Right Side Board for ISW-36-INF	20
AD137	Bottom-Left Heater Fixer for ISW-36-INF	7	AD144	Power Cord and Plug for ISW-36-INF	14			

# Parts Breakdown

## Model FW-CN-0003-B 46697

Item No.	Description	Position	Item No.	Description	Position	Item No.	Description	Position
AD131	Knob for ISW-48-INF	1	AD156	Bottom Board of Control Box for ISW-48-INF	8	AD145	Power Cord Fixer for ISW-48-INF	15
AD132	Knob Base for ISW-48-INF	2	AD157	Heater for ISW-48-INF	9	AD146	Screws for ISW-48-INF	16
AD133	Left Side Board for ISW-48-INF	3	AD158	Outer Cover for ISW-48-INF	10	AD147	Washers for ISW-48-INF	17
AD134	Top-Left Heater Fixer for ISW-48-INF	4	AD141	Bracket for ISW-48-INF	11	AD148	Nuts for ISW-48-INF	18
AD135	Mid Heater Fixer for ISW-48-INF	5	AD142	Indicator for ISW-48-INF	12	AD149	Energy Regulator for ISW-48-INF	19
AD155	Reflector for ISW-48-INF	6	AD143	Terminal Block for ISW-48-INF	13	AD150	Right Side Board for ISW-48-INF	20
AD137	Bottom-Left Heater Fixer for ISW-48-INF	7	AD144	Power Cord and Plug for ISW-48-INF	14			

## Model FW-CN-0004-B 46698

Item No.	Description	Position	Item No.	Description	Position	Item No.	Description	Position
AD131	Knob for ISW-60-INF	1	AD160	Bottom Board of Control Box for ISW-60-INF	8	AD145	Power Cord Fixer for ISW-60-INF	15
AD132	Knob Base for ISW-60-INF	2	AD161	Heater for ISW-60-INF	9	AD146	Screws for ISW-60-INF	16
AD133	Left Side Board for ISW-60-INF	3	AD162	Outer Cover for ISW-60-INF	10	AD147	Washer for ISW-60-INF	17
AD134	Top-Left Heater Fixer for ISW-60-INF	4	AD141	Bracket for ISW-60-INF	11	AD148	Nuts for ISW-60-INF	18
AD135	Mid Heater Fixer for ISW-60-INF	5	AD142	Indicator for ISW-60-INF	12	AD149	Energy Regulator for ISW-60-INF	19
AD159	Reflector for ISW-60-INF	6	AD143	Terminal Block for ISW-60-INF	13	AD150	Right Side Board for ISW-60-INF	20
AD137	Bottom-Left Heater Fixer for ISW-60-INF	7	AD144	Power Cord and Plug for ISW-60-INF	14			

# Electrical Schematics

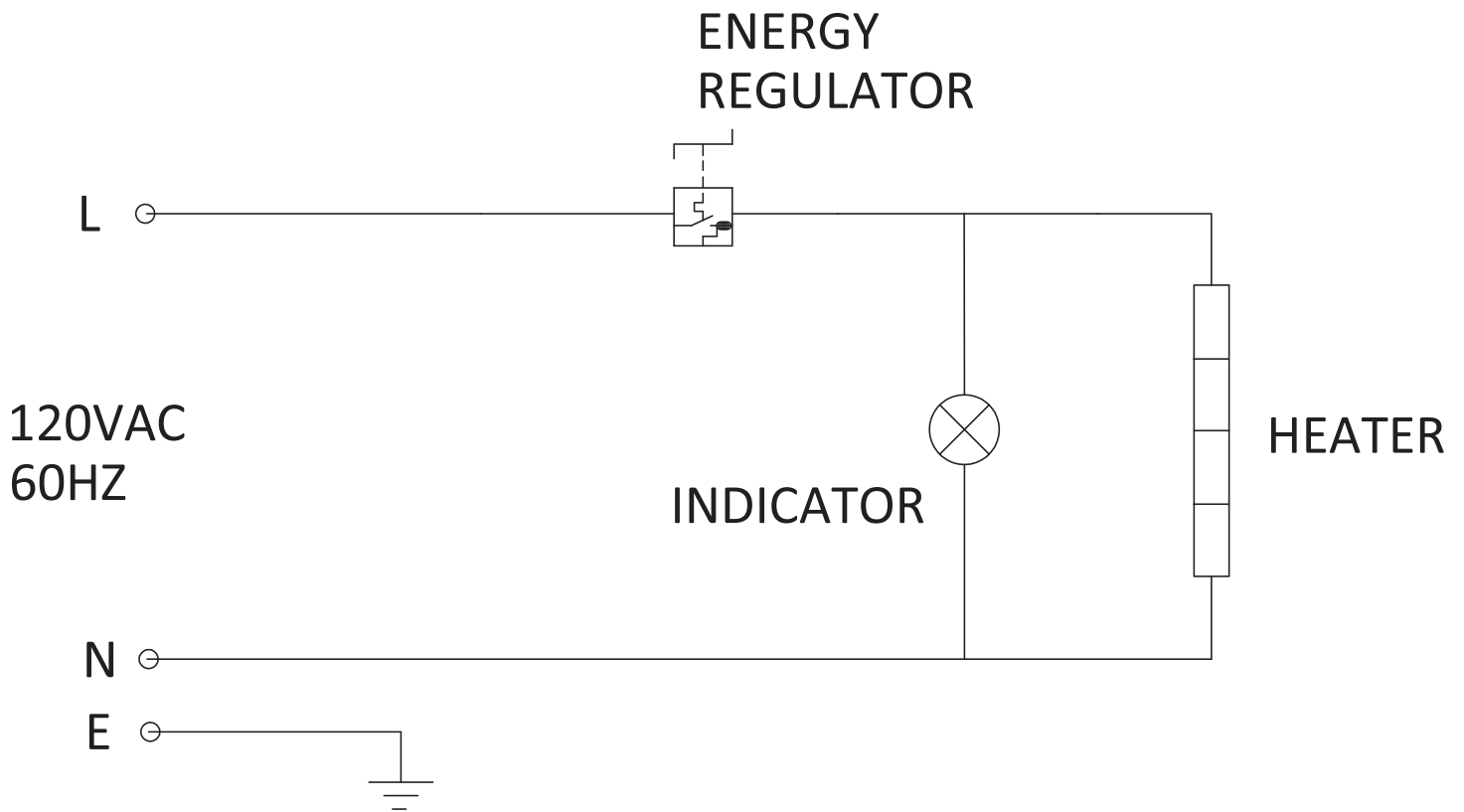
---

**Model FW-CN-0001-B** 46687

**Model FW-CN-0002-B** 46640

**Model FW-CN-0003-B** 46697

**Model FW-CN-0004-B** 46698









# Warranty Registration

Thank you for purchasing an Omcan product. To register your warranty for this product, complete the information below, tear off the card at the perforation and then send to the address specified below. You can also register online by visiting:

Merci d'avoir acheté un produit Omcan. Pour enregistrer votre garantie pour ce produit, complétez les informations ci-dessous, détachez la carte au niveau de la perforation, puis l'envoyer à l'adresse spécifiée ci-dessous. Vous pouvez également vous inscrire en ligne en visitant:

Gracias por comprar un producto Omcan usted. Para registrar su garantía para este producto, complete la información a continuación, cortar la tarjeta en la perforación y luego enviarlo a la dirección indicada a continuación. También puede registrarse en línea en:

<https://omcan.com/warranty-registration/>

For mailing in Canada

Pour postale au Canada

Por correo en Canadá

**OMCAN**

PRODUCT WARRANTY REGISTRATION

3115 Pepper Mill Court,

Mississauga, Ontario

Canada, L5L 4X5

For mailing in the US

Pour diffusion aux États-Unis

Por correo en los EE.UU.

**OMCAN**

PRODUCT WARRANTY REGISTRATION

4450 Witmer Industrial Estates, Unit 4,

Niagara Falls, New York

USA, 14305

*or email to: [service@omcan.com](mailto:service@omcan.com)*



Purchaser's Information

Name: \_\_\_\_\_

Address: \_\_\_\_\_

City: \_\_\_\_\_ Province or State: \_\_\_\_\_ Postal or Zip: \_\_\_\_\_

Country: \_\_\_\_\_

Dealer from which Purchased: \_\_\_\_\_

Dealer City: \_\_\_\_\_ Dealer Province or State: \_\_\_\_\_

Invoice: \_\_\_\_\_

Model Name: \_\_\_\_\_ Model Number: \_\_\_\_\_

Machine Description: \_\_\_\_\_

Date of Purchase (MM/DD/YYYY): \_\_\_\_\_

Would you like to extend the warranty?  Yes  No

Company Name: \_\_\_\_\_

Telephone: \_\_\_\_\_

Email Address: \_\_\_\_\_

Type of Company:

Restaurant  Bakery  Deli

Butcher  Supermarket  Caterer

Institution (specify): \_\_\_\_\_

Other (specify): \_\_\_\_\_

Serial Number: \_\_\_\_\_

Date of Installation (MM/DD/YYYY): \_\_\_\_\_

**Thank you for choosing Omcan | Merci d'avoir choisi Omcan | Gracias por elegir Omcan**



Since 1951 Omcan has grown to become a leading distributor of equipment and supplies to the North American food service industry. Our success over these many years can be attributed to our commitment to strengthen and develop new and existing relationships with our valued customers and manufacturers. Today with partners in North America, Europe, Asia and South America, we continually work to improve and grow the company. We strive to offer customers exceptional value through our qualified local sales and service representatives who provide convenient access to over 5,000 globally sourced products.

---

Depuis 1951 Omcan a grandi pour devenir un des “leaders” de la distribution des équipements et matériel pour l’industrie des services alimentaires en Amérique du Nord. Notre succès au cours de ces nombreuses années peut être attribué à notre engagement à renforcer et à développer de nouvelles et existantes relations avec nos clients et les fabricants de valeur. Aujourd’hui avec des partenaires en Amérique du Nord, Europe, Asie et Amérique du Sud, nous travaillons continuellement à améliorer et développer l’entreprise. Nous nous efforçons d’offrir à nos clients une valeur exceptionnelle grâce à nos ventes locales qualifiées et des représentants de service qui offrent un accès facile à plus de 5000 produits provenant du monde entier.

---

Desde 1951 Omcan ha crecido hasta convertirse en un líder en la distribución de equipos y suministros de alimentos en América del Norte industria de servicios. Nuestro éxito en estos años se puede atribuir a nuestro compromiso de fortalecer y desarrollar nuevas relaciones existentes con nuestros valiosos clientes y fabricantes. Hoy con socios de América del Norte, Europa, Asia y América del Sur, que trabajan continuamente para mejorar y crecer la empresa. Nos esforzamos por ofrecer a nuestros clientes valor excepcional a través de nuestro local de ventas y representantes de los servicios que proporcionan un fácil acceso a más de 5,000 productos con origen a nivel mundial.

