



POWER PACK - WATER COOLED

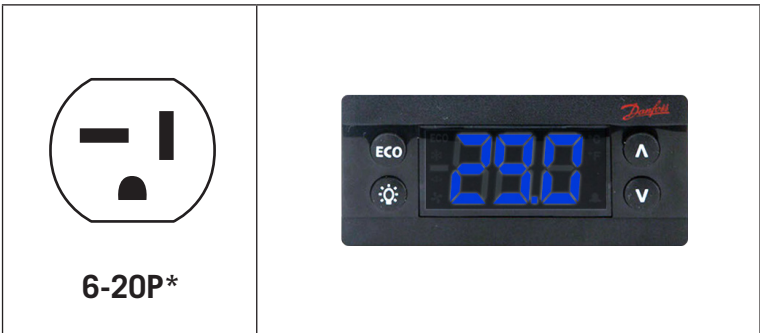
PREMIUM - 2 PUMP - 7,250 BTUs

- Engineered by beer-industry experts for performance and value.
- Digital thermostat for accurate glycol bath temperature.
- Expanded urethane foam insulates cabinet to maintain glycol temperature and minimize condensation.
- Anti-vibration pads reduce motor noise.
- Exterior sight glass to verify glycol bath level.
- Rugged stainless steel cabinet.



MMPP4305-PKG-WC

Water Cooled:
Designed for spaces with limited air circulation or high ambient temperature.



*Units manufactured prior to 2/1/2022 were produced with a 6-15P plug.



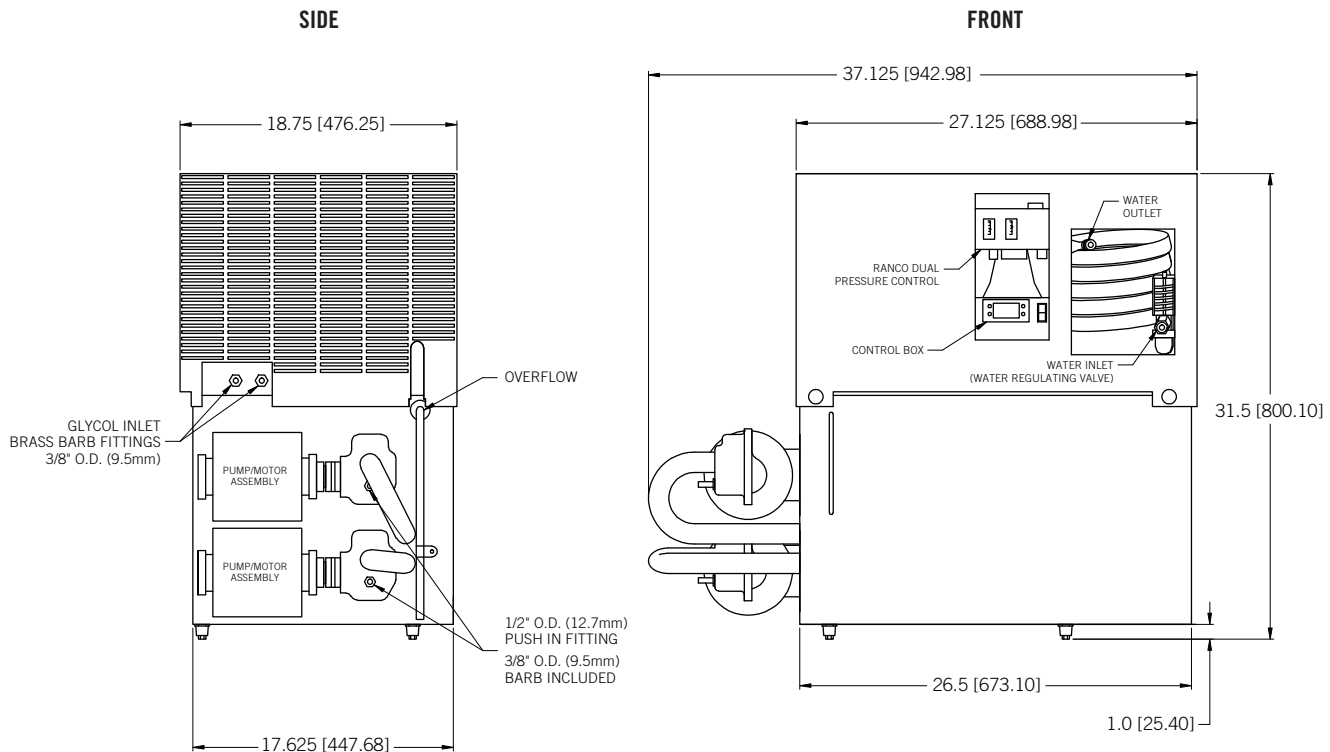
Part No.	Description	Shipping Weight
<input type="checkbox"/> MMPP4305-PKG-WC	Water cooled power pack, 2 pump and motor	98 kg 215 lbs

Operating Performance

Compressor	1 HP	Condenser Inlet Water Temp	Minimum 45° F / Maximum 80° F
BTU per hour	7,250	Pump Type	Rotary Vane
Plug Type (NEMA #)	6-20P*	Push In Connector	12.7mm (1/2") O.D.
Cord Length	8'	Water Inlet & Outlet Fitting	Female 3/8" NPT
Voltage	208/230	Minimum Water Pipe Size	3/8"
Running	9.5A	Inlet Water Pressure	Minimum 40 psi / Maximum 120 psi
Refrigerant	R-134a	Water Usage	.98 GPM. Water is only used when the temperature of the condenser rises high enough to open the cooling inlet valve. This is approximately 40% of the operating time depending on ambient temperature and usage.
Charge	0.56 kg (20 oz)		
Refrigerant Running Pressure	18 (low) 140 (high)		
Bath Capacity	43.5 litre (11.5 gallons)		

*Units manufactured prior to 2/1/2022 were produced with a 6-15P plug.

Dimensions



 **MICRO MATIC**
Toll-Free: 1-866-327-4159
www.micromatic.com

West
19791 Bahama St.
Northridge, CA 91324
Tel. (818) 701-9765
Fax. (818) 701-9844

Central
10726 North Second St.
Machesney Park, IL 61115
Tel. (815) 968-7557

Southeast
15111 Dispense Ln.
Brooksville, FL 34604
Tel. (352) 799-6331

Northeast
4601 Saucon Creek Rd.
Center Valley, PA 18034
Tel. (610) 625-4464
Fax. (610) 625-4466