

KG-22-W-XP MEAT GRINDER

PRO-CUT[®]

SPEC SHEET

www.pro-cut.us

STANDARD FEATURES

- 1,800+ lbs /hour processing capacity
(1st grinding – 3/8" plate)
- 900+ lbs /hour processing capacity
(2nd grinding – 1/8" plate)
- 2 HP motor with powerful 56 lbs-ft torque for meat grinding
- Precision engineered steel gear transmission
- Food grade stainless steel body and feed tray
- Robust headstock with permanent affixed safety guard
- Non slip rubber feet
- Includes motor protector



PRODUCT HIGHLIGHTS



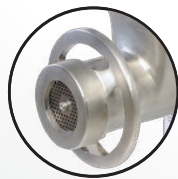
Affixed safety guard



Stainless steel body and tray



Included accessories



High grinding capacity



Motor protector



**30.2"x16.1"x3.3"
Feed tray**



1 year parts and labor

KG-22-W-XP MEAT GRINDER

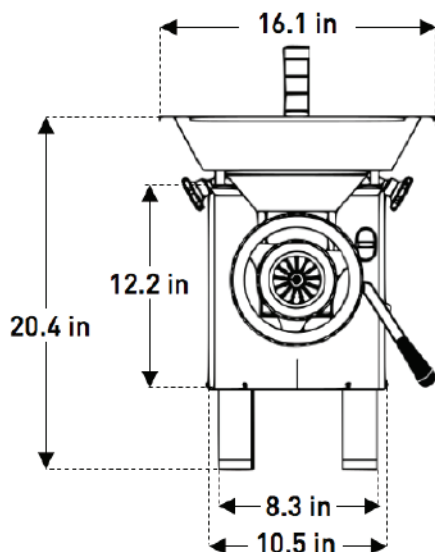
PRO-CUT®

SPEC SHEET

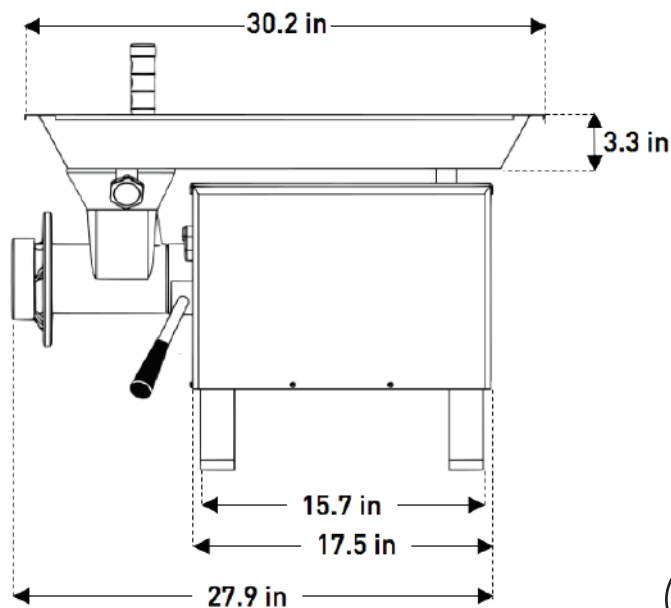
www.pro-cut.us

PLAN VIEW

Front view



Side view



NEMA 5-15P

TECHNICAL DATA

Dimensions

External dimensions	L: 30.2" W: 16.1" H: 20.4"
Net weight	137.79 lb (62.50 kg)
Power cord length	5.9 ft

Construction

Cabinet material	Stainless steel
Tray material	Stainless steel
Headstock	Cast iron

Logistic data

Max number of SKU per pallet	4
Shipping dimensions per unit	L: 32" W: 16.5" H: 27"
Shipping weight per unit	171 lbs
Shipping dimensions full pallet	L: 36" W: 36" H: 59"
Shipping weight full pallet	714 lbs
Freight class	85

Electrical data

Motor	2 HP
Volts / Frequency	220 Vac / 60 Hz
Amps	8.9
Watts	1500
Phase	1 PH
Type of plug (NEMA)	5-15P

Performance / Capacity

1st grinding capacity (3/8" plate)	30 lbs / min
2nd grinding capacity (1/8" plate)	16 lbs / min

Accessories

Knives	Plates
NIR-22 (Stainless Steel Rectangular)	CI-22-3/16"
NLV-22 (Long Lasting Steel)	CI-22-1/8"
	CI-22-3/8"
	CI-22-1/4"

L: Length W: Width H: Height