



PROJECT

ITEM NO:

QUANTITY:

Stem Casters

Universal Swivel Stem Caster Set for Work Tables & Equipment Stands

FEATURE:

- Works with 1-1/2" to 1-5/8" tubular legs
- 5" diameter Polyurethane Wheel
- 250lbs. Wheel Load Capacity
- Adds 6" to height

4 CASTER SET PACKAGING:

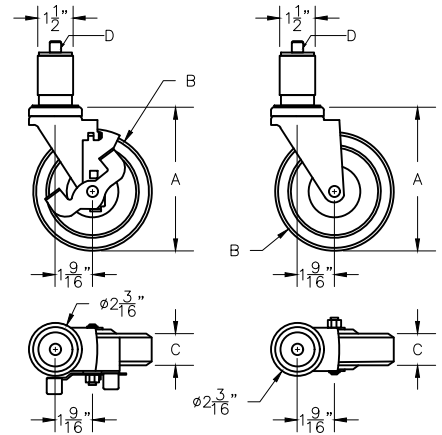
- 4 casters, 2 with locks per set in color retail box.
- 6 Boxes per master carton

MODEL: SM-CS229

6 CASTER SET PACKAGING:

- 6 casters, 3 with locks per set in color retail box.
- 6 Boxes per master carton

MODEL: SM-CS229-6



MODEL#	A	B	C	D
SM-CS229	6"	5"	1-5/16"	1/2"-13
SM-CS229-6				

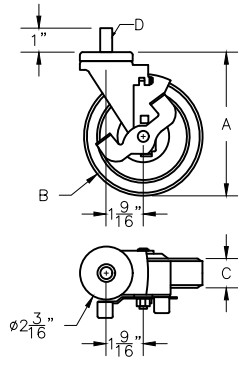
Universal Swivel Threaded Stem Caster Set for Enclosed Tables/Dish

FEATURE:

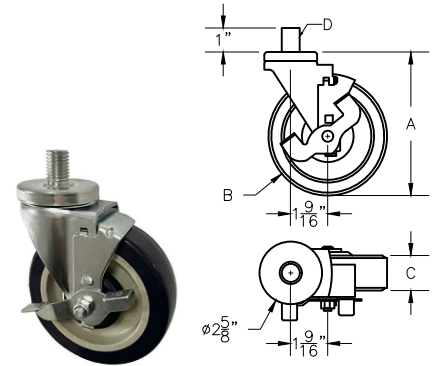
- Threaded stem size available in in (1/2"-13) and (3/4"-10)
- 5" diameter Polyurethane Wheel
- 250lbs. Wheel Load Capacity
- Adds 6" to height

PACKAGING:

- 4 casters with locks per set in color retail box.
- 6 Boxes per master carton



MODEL: SM-CS241



MODEL: SM-CS246

MODEL#	A	B	C	D
SM-CS241	6"	5"	1-1/4"	1/2"-13
SM-CS246			1-7/16"	3/4"-10

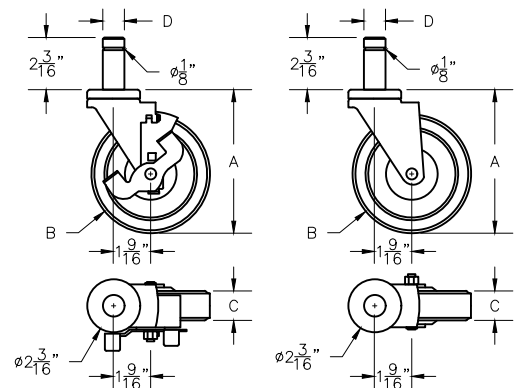
Universal Swivel Snap-in Stem Caster Set for Wire Shelving

FEATURE:

- 5" diameter Polyurethane Wheel
- 250lbs. Wheel Load Capacity
- Adds 6" to height

4 CASTER SET PACKAGING:

- 4 casters, 2 with locks per set in color retail box.
- 6 Boxes per master carton



MODEL: SM-CS251

MODEL#	A	B	C	D
SM-CS251	6"	5"	1-1/4"	7/8"



Rev. 06/21

SAPPHIRE MANUFACTURING
Tel: 718-543-2111
Fax: 718-543-2121

info@sapphiremanufacturing.com
WWW.SAPPHIREMANUFACTURING.COM