

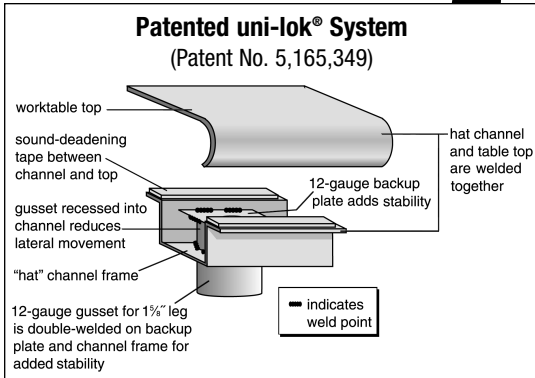
Specification Sheet

Short Form Specifications

BlendPort® worktables, Deluxe series, model _____.
Top constructed of 16 gauge 300 series stainless steel with 1½" roll on front, 4½" backsplash, and sides turned down 90°. Adjustable undershelf constructed of heavy gauge type 430 stainless steel with marine edge. Top reinforced with hat channels and sound deadened. Constructed with uni-lok® patented gusset system with the gussets recessed into the hat channels to reduce lateral movement. 1½"-diameter stainless steel legs, with galvanized gussets and 1" stainless steel adjustable bullet feet.



worktable with backsplash and adjustable undershelf



Item No.: _____
Project No.: _____
S.I.S. No.: _____

Worktables with Backsplash and Stainless Steel Base with Undershelf —Deluxe Series

MODELS:

- | | |
|---|---|
| <input type="checkbox"/> BPT-2424SEB-BS | <input type="checkbox"/> BPT-3024SEB-BS |
| <input type="checkbox"/> BPT-2430SEB-BS | <input type="checkbox"/> BPT-3030SEB-BS |
| <input type="checkbox"/> BPT-2436SEB-BS | <input type="checkbox"/> BPT-3036SEB-BS |
| <input type="checkbox"/> BPT-2448SEB-BS | <input type="checkbox"/> BPT-3048SEB-BS |
| <input type="checkbox"/> BPT-2460SEB-BS | <input type="checkbox"/> BPT-3060SEB-BS |
| <input type="checkbox"/> BPT-2472SEB-BS | <input type="checkbox"/> BPT-3072SEB-BS |
| <input type="checkbox"/> BPT-2484SEB-BS | <input type="checkbox"/> BPT-3084SEB-BS |
| <input type="checkbox"/> BPT-2496SEB-BS | <input type="checkbox"/> BPT-3096SEB-BS |

Tabletop

- Patented uni-lok® gusset system (patent #5,165,349): gussets are recessed into hat channel, reducing lateral movement.
- Top reinforced with welded-on hat channel.
- Sound-deadened between top and channels.
- 4½" (114mm)-high 90° backsplash with 1" (25mm) turn at 90°.
- 1½" (38mm)-diameter 180° rolled edge on front. Ends are turned down 90°, providing for flush installations when required.
- 16 gauge 300 series polished stainless steel.

Adjustable Undershelf

- Heavy gauge stainless steel.
- Gusset welded to each corner.
- Heavy duty marine edge design.

Legs—1½" (41mm)-diameter

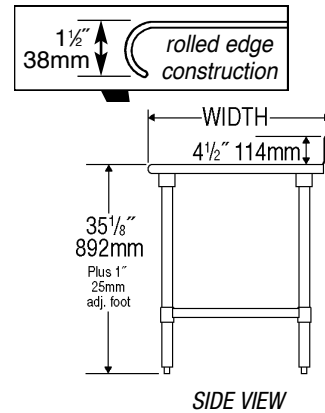
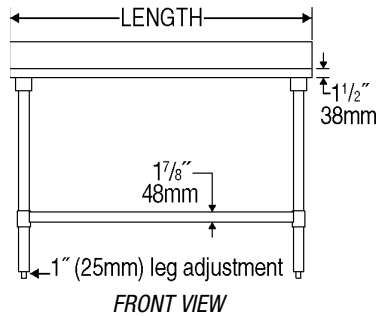
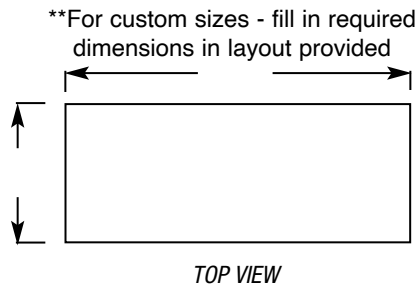
- Tables 96" (2438mm) and longer come with six legs or more.
- Heavy gauge stainless steel.
- 1" (25mm) adjustable stainless steel feet*.

* Optional casters available. Consult factory.



Item No.: _____
 Project No.: _____
 S.I.S. No.: _____

Worktables with Backsplash and Stainless Steel Base with Undershelf—Deluxe Series



model #	# of legs	width		length		weight	
		in.	mm	in.	mm	lbs.	kg
BPT-2424SEB-BS	4	24"	610	24"	610	57	25.9
BPT-2430SEB-BS	4	24"	610	30"	762	64	29.0
BPT-2436SEB-BS	4	24"	610	36"	914	67	30.4
BPT-2448SEB-BS	4	24"	610	48"	1219	72	32.7
BPT-2460SEB-BS	4	24"	610	60"	1524	87	39.5
BPT-2472SEB-BS	4	24"	610	72"	1829	96	43.6
BPT-2484SEB-BS	4	24"	610	84"	2134	147	66.7
BPT-2496SEB-BS	6	24"	610	96"	2438	171	77.6
BPT-3024SEB-BS	4	30"	762	24"	610	64	29.0
BPT-3030SEB-BS	4	30"	762	30"	762	66	29.9
BPT-3036SEB-BS	4	30"	762	36"	914	68	30.9
BPT-3048SEB-BS	4	30"	762	48"	1219	85	38.6
BPT-3060SEB-BS	4	30"	762	60"	1524	94	42.6
BPT-3072SEB-BS	4	30"	762	72"	1829	115	52.2
BPT-3084SEB-BS	4	30"	762	84"	2134	147	66.7
BPT-3096SEB-BS	6	30"	762	96"	2438	182	82.6

BlendPort®

An Eagle Group Company

100 Industrial Boulevard, Clayton, DE 19938-8903 USA

Phone: 800-441-8440 • Fax: 302-653-2065

Printed in U.S.A.
 ©2023 by Eagle Group
 Rev. 03/23

Although every attempt has been made to ensure the accuracy of the information provided, we cannot be held responsible for typographical or printing errors. Information and specifications are subject to change without notice. Please confirm at time of order.