

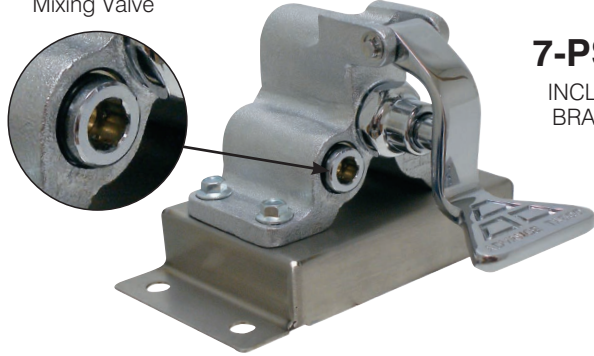


FOOT PEDAL VALVES

Conforms To NSF 61/9 Lead Free Requirements

Item #: _____ Qty #: _____
 Model #: _____
 Project #: _____

Adjustable
Mixing Valve



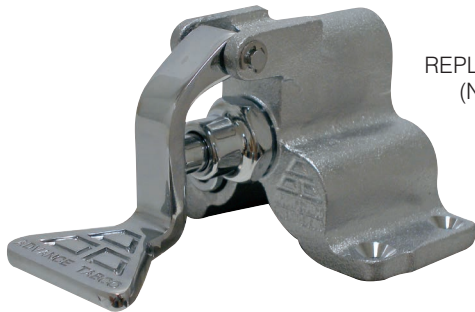
7-PS-39
INCLUDES
BRACKET

FEATURES:

- Foot Actuated Pedal Valve for water operation.
- Hot & Cold water mixture.
- Built-In Check Valves
- Tempering Mixing Valve to adjust water temperature

MATERIAL:

Body: Chrome Plated Brass
Pedal: Chrome Plated
Bracket: 16 Ga., Type 304 Stainless Steel



K-103
REPLACEMENT ONLY
(NO BRACKET)

OPTIONS & REPLACEMENTS

**Thermostatic
Mixing Valve
K-425**



**Replacement
Bonnet
K-01**



NOTE: Mixing Valve is a Tempering Valve Only.
Does not meet ASSE 1070 Specs.



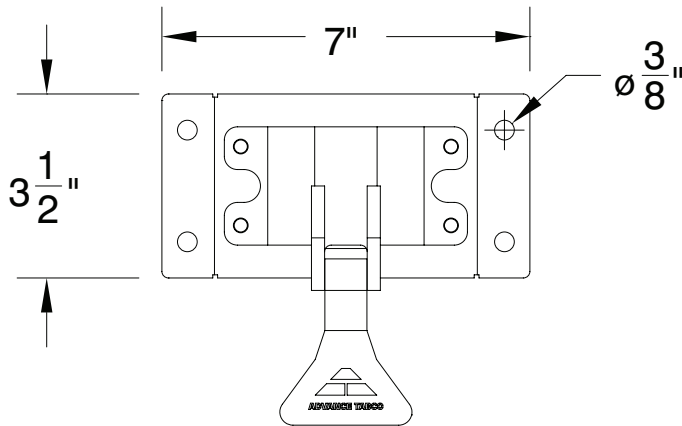
Click This Link To
View Assembly Sheet



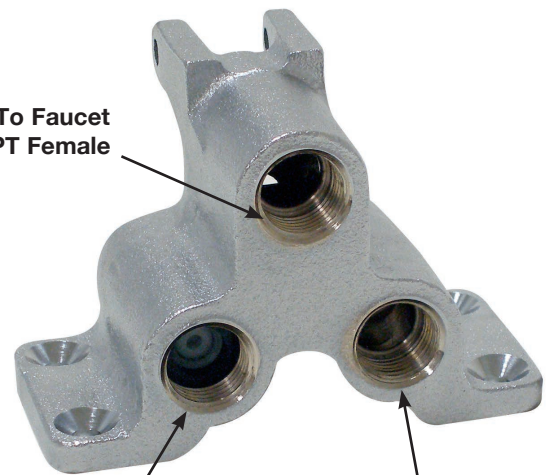
DIMENSIONS and SPECIFICATIONS

TOL ± .500"

ALL DIMENSIONS ARE TYPICAL

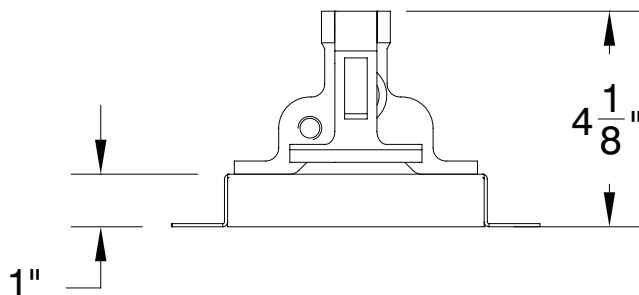


Outlet To Faucet
3/8" NPT Female



Hot Inlet
3/8" NPT Female

Cold Inlet
3/8" NPT Female



⚠ WARNING:

Valve on this page may expose you to chemicals, including lead, that are known to the State of California to cause cancer or birth defects or other reproductive harm. For more Info., visit www.p65warnings.ca.gov.