



HURAKAN

HKN-GXE23F1 - 29" Single Solid Door

Reach-In Freezers

Item #: HKN-GXE23F1/US Project: _____

Qty: _____ Date: _____ Approval: _____



Technical Data

Width	29 Inches
Depth	32 1/4 Inches
Height	82 1/2 Inches
Capacity	23.06 cu. ft
Power Cord Length	98 3/8 Inches
Interior Width	24 3/8 Inches
Right Door Opening Width	24 1/4 Inches
Interior Depth	27 1/8 Inches
Interior Height	51 5/8 Inches

Features

- Stainless steel interior and exterior, aluminum back.
- Option of bright white aluminum interior available
- Electronic control makes it easy to adjust temperature set point and defrost frequency.
- Refrigeration system keeps food at safe temperatures between -8F and 0F .
- Preinstalled heavy-duty casters with brakes
- Self-Closing doors with 90 degree stay-open feature Locks and keys included
- Removable installation board makes it easy to access condenser coil for cleaning and service.
- Option of different handles & control panels available
- Adjustable heavy-duty PVC coated shelves

Certifications



ETL, US



ETL Sanitation

www.equip.me

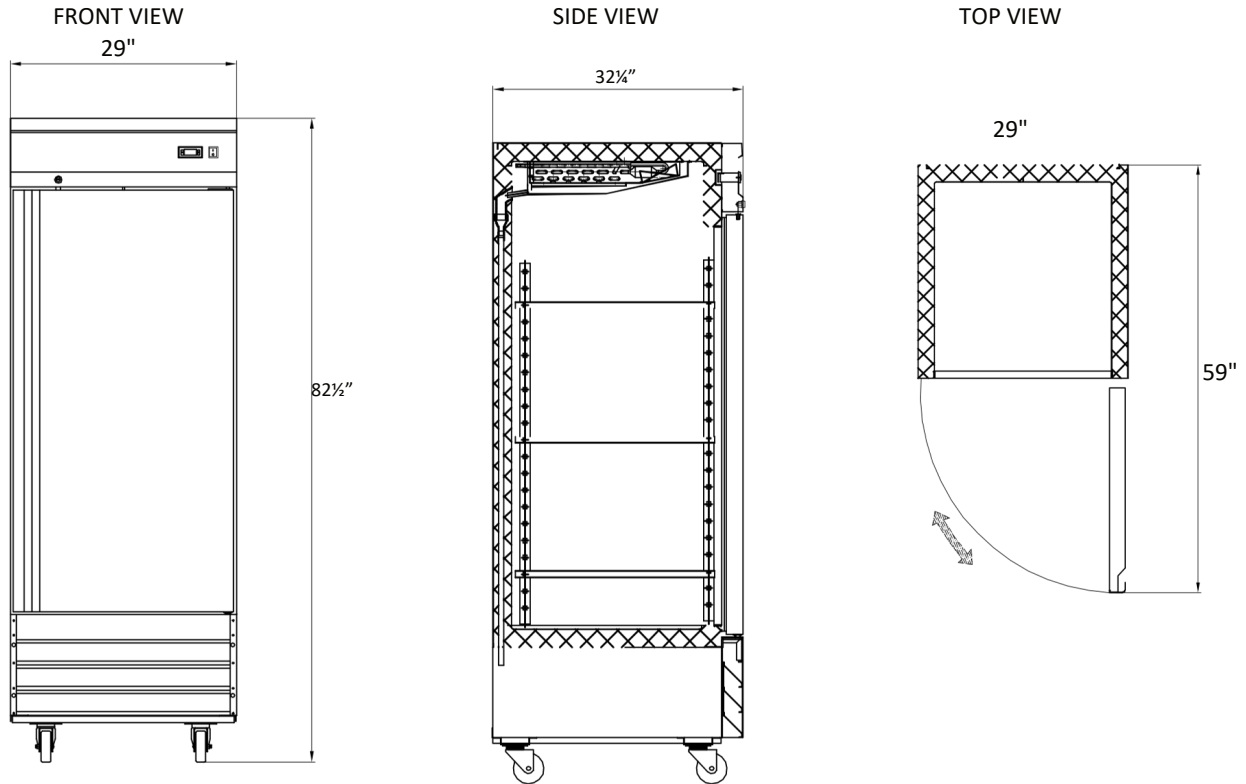


Technical Data

Amps	7.1 Amps
Hertz	60 Hertz
Phase	1 Phase
Voltage	110 Volts
Access Type	Doors
Casters	With Casters
Color	Silver
Compressor Location	Bottom Mounted
Construction	Stainless steel interior and exterior, aluminum back
Door Style	Swing
Door Type	Solid
Dutch Half Doors	Without Dutch Half Doors
Features	no
Horsepower	1/2+ HP
Hinge Location	Right
Individual Shelf Capacity	88 lb.
Installation Type	Freestanding
Number of Doors	1 Door
Number of Shelves	3 Shelves
Plug Type	NEMA 5-15P
Refrigerant Capacity	4.06 oz
Refrigerant Type	R-290
Sections	1 Section
Temperature Range	-8 -0 Degrees F



Plan View



Notes & Details

One-Door Reach-In Freezer. This Reach-In Freezer features a stainless steel interior and exterior, with an aluminum back. It includes self-closing doors with a 90-degree stay-open feature for convenience. Additionally, there's an option for a bright white aluminum interior. Locks and keys are included for security purposes.

The electronic control system simplifies operation, allowing for easy adjustment of temperature set points and defrost frequency. It also facilitates access to the condenser coil for cleaning and service through a removable installation board.

The refrigeration system maintains food at safe temperatures between -8°F and 0°F. Preinstalled heavy-duty casters with brakes ensure mobility and stability. Furthermore, the unit comes with adjustable heavy-duty PVC-coated shelves. Optional handles and control panels are available for customization.

Dimensions: 29" x 32 1/4" x 82 1/2"

Capacity 23.06 cu. ft.