

Blueair by
BLUENIX

MODEL BLUR28-D2-HC UNDERCOUNTER REFRIGERATOR



Stainless steel cabinet construction

Stainless steel interior and exterior (galvanized steel back & bottom).



Temperature range between 33°F ~ 39°F

Air guard on rear wall ensures proper air circulation and cooling.



Hydrocarbon refrigerants (R-290)

Increases energy HFC refrigerants. It is safer for the environment and does not cause ozone depletion.



Visual and audible door open alarm

Alarm sounds when doors are not completely closed to protect against food spoilage



Exterior Dimensions (inches/mm)

L	D	H
27 11/16"	30"	30 29/32"
703 mm	762 mm	785 mm

Weight (lbs/kg)

Net Weight	Ship Weight
163 lbs	196 lbs
74 kg	89 kg

* Depth does not include 3" for door handle & rear spacers
* Height does not include 5" (127 mm) for casters

Cabinet construction

• Cyclopentane Insulation – Contains no hydro-fluorocarbons (HFCs) and is environmentally friendly.

• Four 4" Diameter swivel casters with front brakes standard.

Refrigeration

• Self-contained system, rear mounted compressor.

• Electrodeposition coated evaporator increases performance by maintaining the heat transfer rate over the life of the evaporator and reducing potential corrosion.

• Innovative hot gas frame heating system reduces condensation and increases energy.

Design & Features

- Self-diagnostic digital temperature control & monitor system.
- Digital display allows for easy monitoring.
- Digital controls include manual defrost for easy maintenance.
- Rounded corner design gives a stylish appearance and reduces chances of injury.

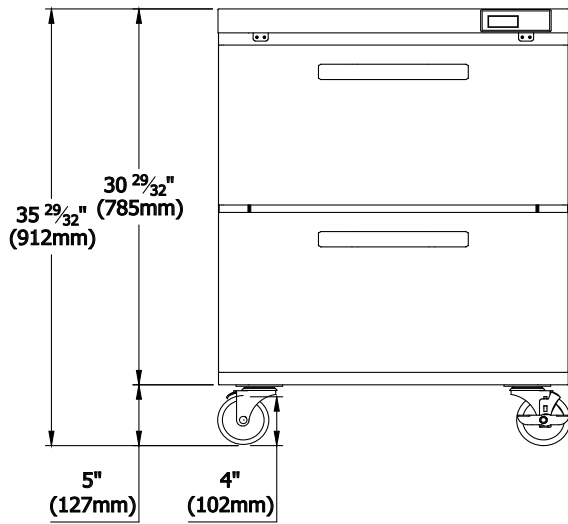
Doors

- Self-closing doors
- Durable door gasket with easy replacement.
- Lifetime guaranteed heavy duty all metal door handles. (Ni-Cr Plated)

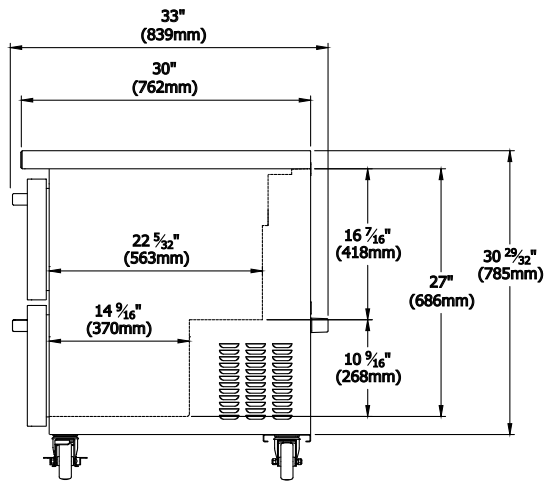
Optional Features & Accessories

- 2.5" diameter casters available.
- Back splash guard and drawer models available

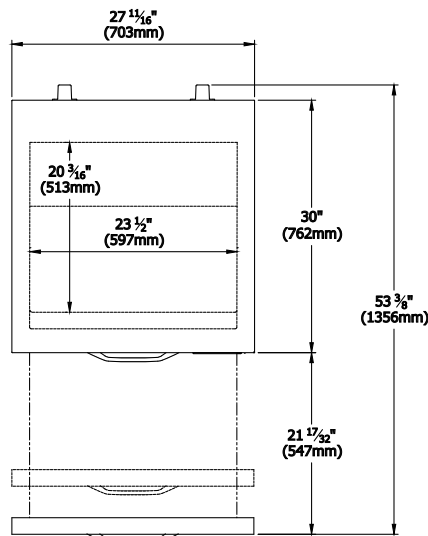
Front view



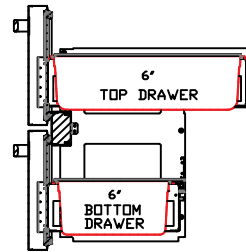
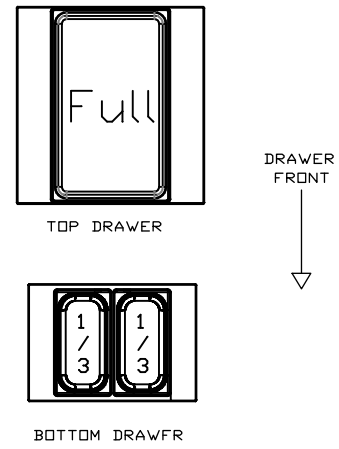
Side view



Top view



Pan Configuration



Drawers accommodate 6 inch pans

Drawers	2
Capacity Cu.Ft.	7
Shelves	N/A
Refrigerant	R-290
Temperature Range	33°F ~ 39°F
Easy Maintenance	Sliding Condensing Unit
Connection	9.8 ft long (3m) flexible three wire cord with modeled plug
HP	1/4 HP
Voltage	115V/60Hz
Amps	4
NEMA Config.	NEMA 5-15

Blue Air has right to change specifications without further notice.



- This product may expose you to chemicals including Diisononyl Phthalate(DINP), which is known to the State of California to cause cancer. For more information go to www.P65Warnings.ca.gov.
 - Ce produit peut vous exposer à des agents chimiques incluant le Diisononyl Phthalate(DINP), reconnu par l'Etat de Californie comme causant le cancer. Pour de plus amples renseignements, consultez le site www.P65Warnings.ca.gov.



Conforms to NSF/ANSI 7(ETL)



223 W. Rosecrans Ave., CA 90248
T: 310-808-0102

9 W. Shelton Terrace #A, Hillside, NJ 07205
T: 470-625-0182

7025 Amwiler industrial Drive, Suite A, Atlanta GA
T: 908-688-0970