



## ***Ice Cream Dipping Freezers***

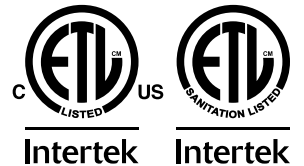
Models FR-CN-0160-S, 0260-S, 0360-S, 0460-S, 0560-S

Items 44590, 48657, 44588, 44589, 48648

## ***Instruction Manual***



*Revised - 02/25/2025*



Toll Free: 1-800-465-0234  
Fax: 905-607-0234  
Email: [service@omcan.com](mailto:service@omcan.com)  
[www.omcan.com](http://www.omcan.com)



# ***Table of Contents***

Model FR-CN-0160-S / Model FR-CN-0260-S / Model FR-CN-0360-S  
Model FR-CN-0460-S / Model FR-CN-0560-S

---

<b>Section</b>	<b>Page</b>
Disclaimer-----	3
General Information -----	4 - 5
Safety and Warranty -----	5 - 7
Technical Specifications -----	7
Installation -----	8
Operation -----	8
Maintenance -----	9
Troubleshooting -----	9 - 10
Parts Breakdown -----	11 - 19
Electrical Schematics -----	20 - 21
Notes -----	22
Warranty Registration -----	23

## ***Disclaimer***

---

*OMCAN IS NOT RESPONSIBLE FOR ANY DAMAGES DUE TO WATER LEAKS. WARRANTY FOR WATER LEAKS IS VOID IF THE WICKING PAD IS NOT REPLACED EVERY SIX MONTHS, AND IF THE AMBIENT ROOM TEMPERATURE EXCEEDS 75°F AND 55% RELATIVE HUMIDITY, AND THE APPLIANCE DRAIN IS NOT CONNECTED DIRECTLY TO THE FLOOR DRAIN.*

---

*OMCAN N'EST PAS RESPONSABLE DES DOMMAGES DUS AUX FUITES D'EAU. LA GARANTIE POUR LES FUITES D'EAU EST ANNULÉE SI LE TAMPON ABSORBANT N'EST PAS REMPLACÉ TOUS LES SIX MOIS, ET SI LA TEMPÉRATURE AMBIANTE DE LA PIÈCE DÉPASSE 75°F ET 55% D'HUMIDITÉ RELATIVE, ET QUE LE DRAIN DE L'APPAREIL N'EST PAS RACCORDÉ DIRECTEMENT AU DRAIN DE PLANCHER.*

---

*OMCAN NO SE HACE RESPONSABLE DE LOS DAÑOS CAUSADOS POR FUGAS DE AGUA. LA GARANTÍA POR FUGAS DE AGUA QUEDA ANULADA SI LA ALMOHADILLA ABSORBENTE NO SE REEMPLAZA CADA SEIS MESES, Y SI LA TEMPERATURA AMBIENTE SUPERA LOS 75°F Y EL 55% DE HUMEDAD RELATIVA, Y EL DESAGÜE DEL APARATO NO ESTÁ CONECTADO DIRECTAMENTE AL DESAGÜE DEL PISO.*

## **General Information**

---

**Omcan Manufacturing and Distributing Company Inc., Food Machinery of America, Inc. dba Omcan and Omcan Inc. are not responsible for any harm or injury caused due to any person's improper or negligent use of this equipment. The product shall only be operated by someone over the age of 18, of sound mind, and not under the influence of any drugs or alcohol, who has been trained in the correct operation of this machine, and is wearing authorized, proper safety clothing. Any modification to the machine voids any warranty, and may cause harm to individuals using the machine or in the vicinity of the machine while in operation.**

### **CHECK PACKAGE UPON ARRIVAL**

Upon receipt of an Omcan shipment please inspect for external damage. If no damage is evident on the external packaging, open carton to ensure all ordered items are within the box, and there is no concealed damage to the machine. If the package has suffered rough handling, bumps or damage (visible or concealed), please note it on the bill of lading before accepting the delivery and contact Omcan within 24 hours, so we may initiate a claim with the carrier. A detailed report on the extent of the damage caused to the machine must be filled out within three days, from the delivery date shown in the shipping documents. Omcan has no recourse for damaged products that were shipped collect or third party.

**Before operating any equipment, always read and familiarize yourself with all operation and safety instructions.**

**Omcan would like to thank you for purchasing this machine. It's of the utmost importance to save these instructions for future reference. Also save the original box and packaging for shipping the equipment if servicing or returning of the machine is required.**

---

**Omcan Fabrication et distribution Compagnie Limitée et Food Machinery d'Amérique, dba Omcan et Omcan Inc. ne sont pas responsables de tout dommage ou blessure causé du fait que toute personne ait utilisé cet équipement de façon irrégulière. Le produit ne doit être exploité que par quelqu'un de plus de 18 ans, sain d'esprit, et pas sous l'influence d'une drogue ou d'alcool, qui a été formé pour utiliser cette machine correctement, et est vêtu de vêtements de sécurité appropriés. Toute modification de la machine annule toute garantie, et peut causer un préjudice à des personnes utilisant la machine ou des personnes à proximité de la machine pendant son fonctionnement.**

### **VÉRIFIEZ LE COLIS DÈS RÉCEPTION**

Dès réception d'une expédition d'Omcan veuillez inspecter pour dommages externes. Si aucun dommage n'est visible sur l'emballage externe, ouvrez le carton afin de s'assurer que tous les éléments commandés sont dans la boîte, et il n'y a aucun dommage dissimulé à la machine. Si le colis n'a subi aucune mauvaises manipulations, de bosses ou de dommages (visible ou cachée), notez-le sur le bond de livraison avant d'accepter la livraison et contactez Omcan dans les 24 heures qui suivent, pour que nous puissions engager une réclamation auprès du transporteur. Un rapport détaillé sur l'étendue des dommages causés à la machine doit être rempli dans un délai de trois jours, à compter de la date de livraison indiquée dans les documents d'expédition. Omcan n'a aucun droit de recours pour les produits endommagés qui ont été expédiés ou cueillis par un tiers transporteur.

**Avant d'utiliser n'importe quel équipement, toujours lire et vous familiariser avec toutes les opérations et les**

## ***General Information***

---

consignes de sécurité.

Omcan voudrais vous remercier d'avoir choisi cette machine. Il est primordial de conserver ces instructions pour une référence ultérieure. Également conservez la boîte originale et l'emballage pour l'expédition de l'équipement si l'entretien ou le retour de la machine est nécessaire.

---

Omcan Empresa De Fabricacion Y Distribucion Inc. Y Maquinaria De Alimentos De America, Inc. dba Omcan y Omcan Inc. no son responsables de ningun daño o perjuicio causado por cualquier persona inadecuada o el uso descuidado de este equipo. El producto solo podra ser operado por una persona mayor de 18 años, en su sano juicio y no bajo alguna influencia de droga o alcohol, y que este ha sido entrenado en el correcto funcionamiento de esta máquina, y ésta usando ropa apropiada y autorizada. Cualquier modificación a la máquina anula la garantía y puede causar daños a las personas usando la máquina mientras esta en el funcionamiento.

### **REVISE EL PAQUETE A SU LLEGADA**

Tras la recepcion de un envio Omcan favor inspeccionar daños externos. Si no hay daños evidentes en el empaque exterior, Habra el carton para asegurarse que todos los articulos solicitados estén dentro de la caja y no encuentre daños ocultos en la máquina. Si el paquete ha sufrido un manejo de poco cuidado, golpes o daños (visible o oculto) por favor anote en la factura antes de aceptar la entrega y contacte Omcan dentro de las 24 horas, de modo que podamos iniciar una reclamación con la compañía. Un informe detallado sobre los daños causados a la máquina debe ser llenado en el plazo de tres días, desde la fecha de entrega que se muestra en los documentos de envío. Omcan no tiene ningun recurso por productos dañados que se enviaron a recoger por terceros.

**Antes de utilizar cualquier equipo, siempre lea y familiarizarse con todas las instrucciones de funcionamiento y seguridad.**

Omcan le gustaría darle las gracias por la compra de esta máquina. Es de la mayor importancia para salvar estas instrucciones para futuras consultas. Además, guarda la caja original y el embalaje para el envío del equipo si servicio técnico o devolución de la máquina que se requiere.

## ***Safety and Warranty***

---

### **CAUTION FOR USING**

1. Unpack all packages before using the showcase. Don't bend it over more than 60° while moving it.
2. The showcase should be installed in the environment of good ventilation, cool and dry and without corrosive gas. It should not be installed close to heat sources or directly under the sunlight. The space more than 10cm between the wall of the front and the back of the showcase should be allowed. When installing, the universal wheels should be padded well. So as to make the showcase be level and stable, or it will cause vibration and too much noise.

## ***Safety and Warranty***

---

3. When initial operation, the refrigerator should run empty for about one hour before storing food in it.
4. Before placing food into the freezer, adjust the temperature control to the lowest point (highest number) and let it run until the temperature of inner cabinet decreases to 0°F. Put the food in, and after 12 hours adjust the temperature control to the normal point.
5. The thermostat could adjust the temperature inside the showcase. When you turn the knob in clockwise. The bigger the figure, the lower the temperature. Generally, the position of '4' is suitable. '0' position stand for stopping operation. 'Max' position will be operating not continually as compressor won't stop (no cycle). Turn the temperature control to the "4" or "5" when temperature inside is stable for ice cream and similar products.
6. Never store flammable, explosive or corrosive products in the freezer, and keep the freezer away from such materials.
7. If power is cut off, wait at least 5 minutes before turning on again to avoid damage to the compressor.
8. To save energy, the door should not be frequently opened for left open for a long time.
9. The surface and the inside of the showcase should be dry and clean. Long term moisture with cause the showcase rust slowly. (There will be some stains on the surface.)
10. Periodical cleaning is suggested for your reference. Generally, 30-45 days once is best. When cleaning, it is best to wipe the inside and the surface of the showcase with the soft cloth with neutral soap or detergent.

**Attention: to ensure safety, the power plug must be pulled out before cleaning. All safety precautions must be followed. Dispose of properly in accordance with Federal or local regulations. Risk of fire or explosion due to puncture of refrigerant tubing. Follow handling instructions carefully.**

**DANGER: risk of fire or explosion. Flammable refrigerant R290 used. To be repaired only by trained service personnel. Do not use mechanical devices to defrost refrigerator. Do not puncture refrigerant tubing.**

**RESIDENTIAL USERS: vendor assumes no liability for parts or labor coverage for component failure or other damages resulting from installation in non-commercial or residential applications. The right is reserved to deny shipment for residential usage; if this occurs, you will be notified as soon as possible.**

### **1 YEAR PARTS AND LABOUR WARRANTY**

**Within the warranty period, contact Omcan Inc. at 1-800-465-0234 to schedule an Omcan authorized service technician to repair the equipment locally.**

**Unauthorized maintenance will void the warranty. Warranty covers electrical and part failures, not improper use.**

**Please see <https://omcan.com/disclaimer> for complete info.**

### **WARNING:**

The packaging components are classified as normal solid urban waste and can therefore be disposed of without difficulty.

**In any case, for suitable recycling, we suggest disposing of the products separately (differentiated waste)**



# Safety and Warranty

according to the current norms.

**DO NOT DISCARD ANY PACKAGING MATERIALS IN THE ENVIRONMENT!**

## Technical Specifications

Model	FR-CN-0160-S	FR-CN-0260-S	FR-CN-0360-S	FR-CN-0460-S	FR-CN-0560-S
Item Number	44590	48657	44588	44589	48648
Freezer Capacity	120 L / 4.23 cu.ft.	210 L / 7.4 cu.ft.	290 L / 10.24 cu.ft.	370 L / 13.06 cu.ft.	450 L / 16 cu.ft.
Tub Load Quantity	4 displayed 2 stored	6 displayed 4 stored	8 displayed 6 stored	10 displayed 8 stored	12 displayed 10 stored
Temperature Range	-26 to 6°C -15 to 43°F	-26 to -13°C -14.8 to 8.6°F	-26 to 6°C -15 to 43°F		-26 to -13°C -14.8 to 8.6°F
Max Ambient Temp Rating	24°C / 75°F				
Foaming Components	C-P				
Refrigerant	R290				
Compressor Power	1/4+ HP	2/5+ HP		1/2+ HP	2/5+ HP
Current	3A		4A		
Door Panel	Glass				
Dimensions	26" x 28" x 52" 660 x 711 x 1321mm	39.2" x 28.1" x 52" 995 x 715 x 1320mm	49.6" x 28" x 52" 1260 x 711 x 1321mm	60" x 28" x 52" 1524 x 711 x 1321mm	70.9" x 28.1" x 52.2" 1800 x 715 x 1325mm
Cabinet Packaging Dimensions	26" x 30" x 37" 660 x 762 x 940mm	41.9" x 29.9" x 37.4" 1065 x 760 x 950mm	52.6" x 30" x 37" 1336 x 762 x 940mm	63" x 30" x 37" 1600 x 762 x 940mm	73.8" x 29.9" x 37.4" 1875 x 760 x 950mm
Glass Canopy Packaging Dimensions	26" x 23" x 0.5" 660 x 584 x 13mm	40.4" x 23" x 5.1" 1026 x 585 x 130mm	51" x 23" x 0.5" 1295 x 584 x 13mm	64.6" x 23" x 0.5" 1641 x 584 x 13mm	73.4" x 37.4" x 24.6" 1865 x 950 x 625mm
Weight	154 lbs. / 70 kgs.	127.9 lbs. / 58 kgs.	242.5 lbs. / 110 kgs.	280 lbs. / 127 kgs.	194 lbs. / 88 kgs.
Packaging Weight	170 lbs. / 77 kgs.	189.6 lbs. / 86 kgs.	266.8 lbs. / 121 kgs.	313 lbs. / 142 kgs.	295.4 lbs. / 134 kgs.

# Installation

---

## GLASS CANOPY ASSEMBLY

### INCLUDED HARDWARE

- 1 - Front Rail.
- 2 - Side Rails.
- 4 - Metal Plate for Side Rails.
- 8 - L-Shaped Brackets.
- 11 - Screws and Metal Washers for Rails.
- 20 - Fasteners for Glass Panels.

**Note: if the fasteners are loose after assembling, you may fasten it with the white washer.**

1. Install the 3 plastic channels along the sides and front of the cabinet using the Phillips screws and metal washers. A short channel should be installed on each side, and the long channel should be installed on the front.
2. Insert the side glass panel into the side channel. Attach a metal plate to the cabinet at both ends of the channel, using the Phillips screws and metal washers. Then, attach each of the metal plates to the side glass panel using the socket head screws, metal washers, and associated metal fasteners. Repeat this step on the other side of the cabinet.
3. Insert the front glass panel into the front channel. Then, use the L-shaped brackets and the fasteners to attach the front glass panel to each of the side panels. There are two bracket mounting locations on each side; one at the top, and one at the bottom.
4. Install the gasket on the top edge of the front glass panel, and place top glass panel atop the front and side panels.
5. Use the style of L-shaped brackets and fasteners referenced in Step 3 to attach the top glass panel to each of the side glass panels. There are two bracket mounting locations on each side; one at the front, and one at the back.

# Operation

---

### FOOD STORAGE

- Do not fill the freezer full of products. You should leave space between items and the inner surface of the cabinet, so as to keep good ventilation of cold air and freeze evenly. Do not put in any bottled or canned beverage with freezing point above the temperature in the cabinet when it is below zero.
- For foods that should be moisture-free or lose water easily, wrap them up with hermetical food bags or fresh films before putting in the cabinet for the sake of avoiding smell-mixing and reducing frosting.
- Storage of volatile and combustible gases, liquids such as strong alkalies, strong acids, petrol, etc. is forbidden.
- Never put hot food directly in the freezer. Food should be cold or frozen before placing it inside.
- The cabinet is intended exclusively for the storage and/or display of packaged foods only.



## Maintenance

- The freezer should be cleaned regularly. When cleaning, turn off the power, take out the food in the cabinet, clean the inside using water or a little neutral detergent.
- Do not use boiling water, acid, chemical diluents, petrol and oil, or dirt-removing powder.
- Dry it after cleaning.
- Use light soap water when cleaning the door seal, apply a little of talcum powder on it after natural drying to extend its service life.
- Use soft cloth with water or a little detergent to clean the out surface. Note, keeping the power supply and lower part of connect wires away from water to avoid electricity leakage.
- Except common breakdowns, those who are not service technician should not take apart and repair the freezer on their own so as to avoid worsening the trouble. Unauthorized repair of electrical part such as compressor, temperature controller is forbidden.

### DEFROSTING

- Defrost for better freezing efficiency when the frost film in the cabinet is 4-5mm thick.
- When defrosting, turn off the power, take out the frozen foods, open the door for warming and melting. Use a soft cloth to absorb water and clean it up.
- Do not use sharp metal tools such as steel brush to clean the frost film when defrosting so as to avoid evaporator damage.

## Troubleshooting

Problem	Possible Cause	Solution
The indicator is not on. The compressor does not start.	The plug isn't fully connected to the socket.	Replug it.
	No power.	Connect the socket with power.
The indicator is on, but the compressor doesn't work and buzzes only.	The power voltage is <98V.	Put a power-regulator more than 1000W power together.
The compressor stops a minute after start, and restart after a few minutes, and so repeatedly.	The power voltage is >132V.	Put a power-regulator more than 1000W power together.

# Troubleshooting

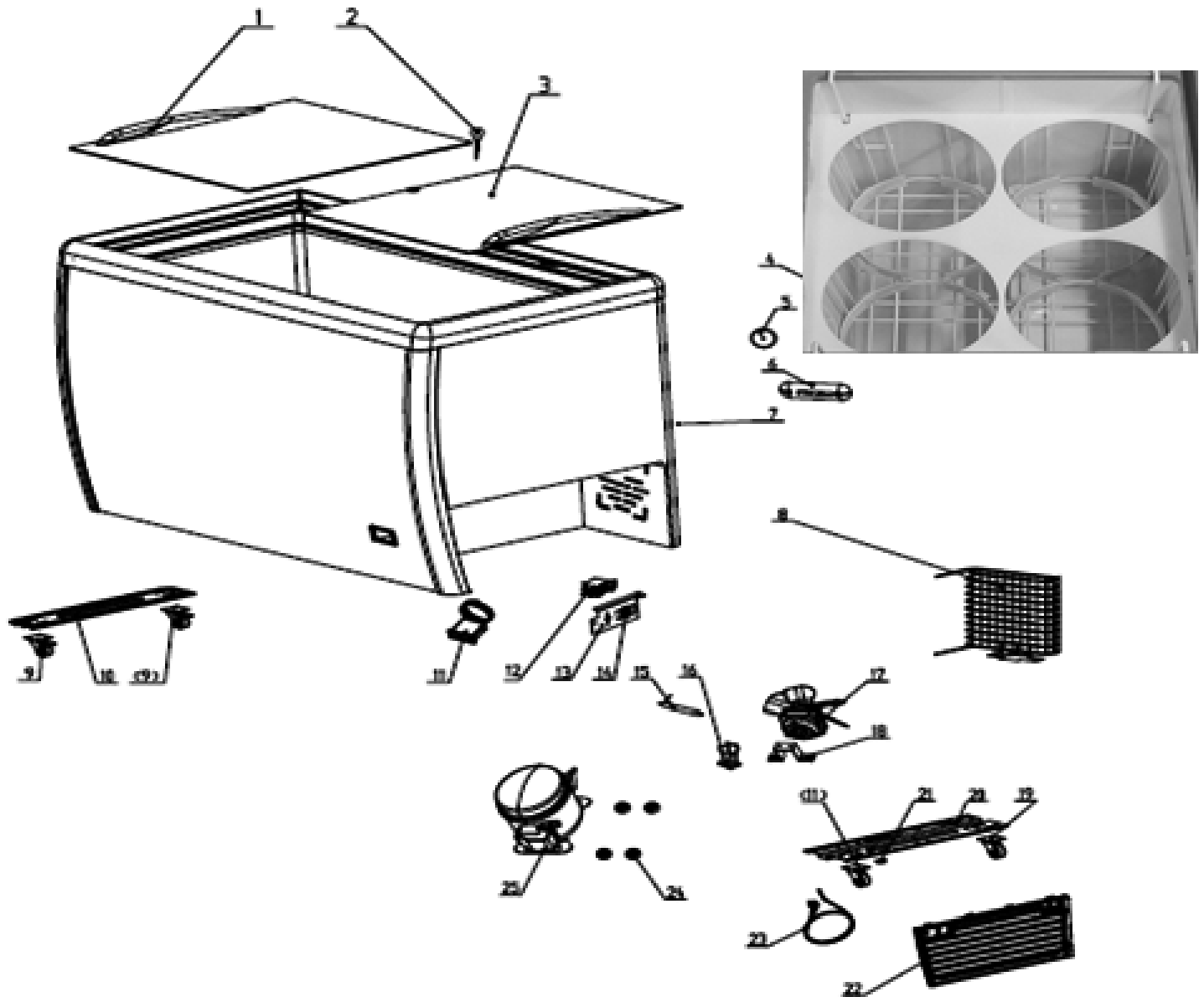
The compressor works normally, but the temperature in the cabinet lowers too slowly.	The door is opened too frequently.	Reduce open times.
	The food in the cabinet is too much, or placed improperly.	Place foods properly, keep space between them for ventilation of cold air.
	The frost film is too thick.	Take out foods and defrost.
	The surface of the condenser is too dirty.	Stop and clean the condenser.
	The door seals badly.	Adjust the door seal.
The noise is too loud.	The freezer is placed unstably.	Place it stably.
	The fixing of the freezer is loose.	Tighten the fixing.
	There's contact between pipes.	Separate them.

## THE FOLLOWING ARE NOT FAULTS:

- When the freezer is working or after stopping for a while, the refrigerant in the pipes is cycling and gives out "running water" sounds.
- The surface temperature of the compressor may be up 70~80°C when it is working.
- The back side of step freezer gives out heat.
- In rainy season, the outer surface of the cabinet may have dew, which makes no defects on normal use. Just dry it with a piece of cloth.

# Parts Breakdown

Model **FR-CN-0160-S** 44590



# Parts Breakdown

## Model FR-CN-0160-S 44590

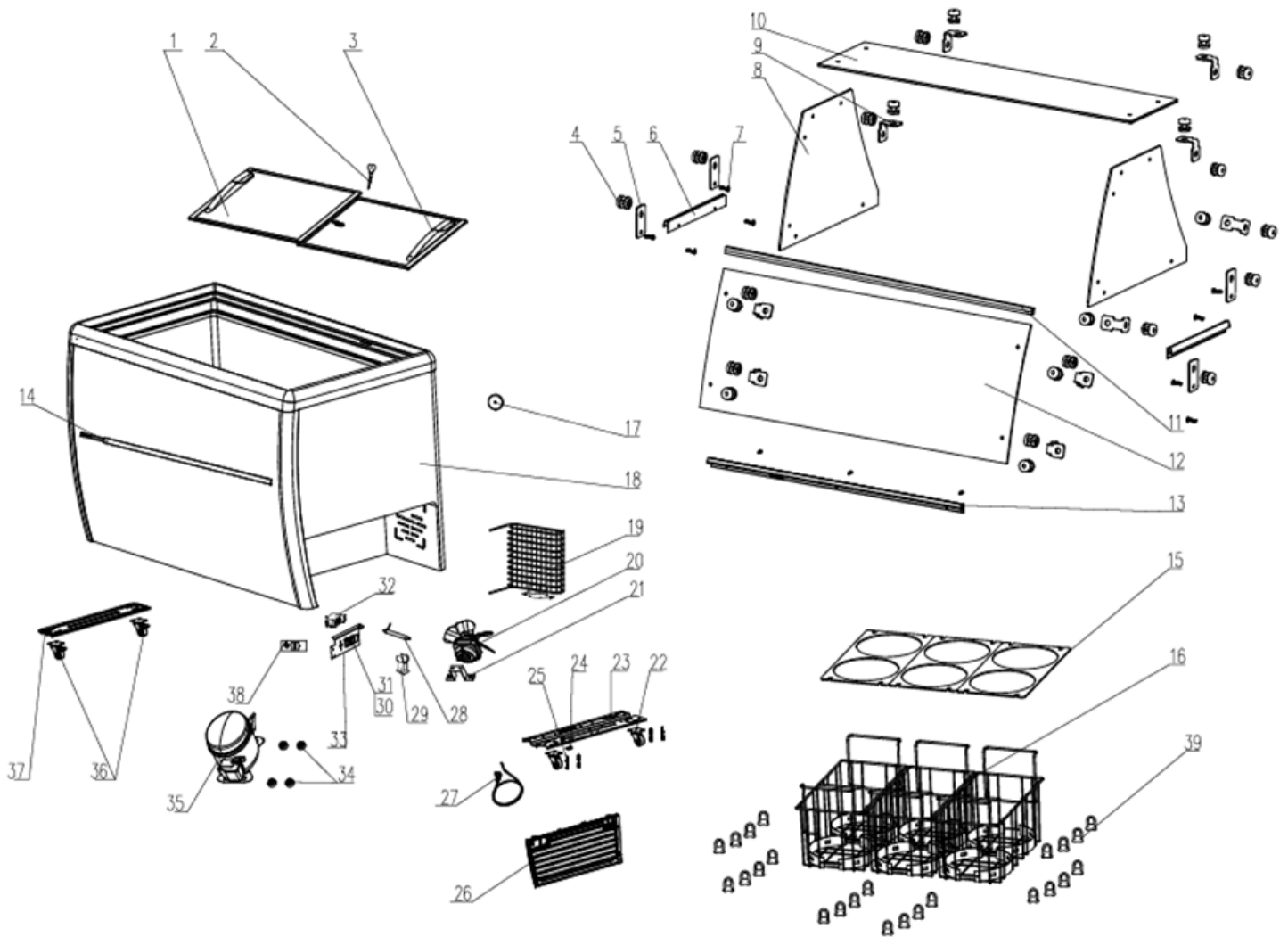
Item No.	Description	Position	Item No.	Description	Position	Item No.	Description	Position
69421	Upper Glass Door for 44590	1	64766	Thermostat Support for 44590	13	28448	Plug Series for 44590	23
41162	Key/Lock for 44590	2	39587	Indicator Lamp for 44590	14	AE611	Compressor Feet for 44590	24
69422	Lower Glass Door for 44590	3	39586	Filter for 44590	15	63504	Compressor (R290) for 44590	25
AI309	Basket (4 Tubs) for 44590	4	64441	Filter Support for 44590	16	AI310	Plastic Cover (4 Tubs) for 44590	
64763	Thermostat Cover for 44590	5	64767	Condenser Fan Motor for 44590	17	AI311	Rubber Bumper for 44590	
64769	Cabinet Plastic Frame for 44590	7	64768	Fan Motor Support for 44590	18	AI312	LED Bar for 44590	
28453	Condenser for 44590	8	28446	Castor without Lock for 44590	19	AI313	LED Transformer for 44590	
28445	Caster with Lock for 44590	9	78720	Compressor Support for 44590	20			
28449	Thermostat Series (no Knob) for 44590	12	28447	Shutter for 44590	22			

## Sneeze Guard

Item No.	Description	Position	Item No.	Description	Position	Item No.	Description	Position
AC116	Front Rail for 44590		AC120	Screws for Rails for 44590		AQ649	Side Glass for 44590	
AC117	Side Rail for 44590		AK760	Metal Washers for 44590		AQ650	Front Glass for 44590	
AC118	Metal Plate for Side Rails for 44590		AC121	Fasteners for Glass Panels for 44590		AQ651	Top Glass for 44590	
AC119	L-Shaped Bracket for 44590		AQ648	Gasket for 44590		AD067	Sneeze Guard Whole Set Assembled for 44590	

# Parts Breakdown

**Model FR-CN-0260-S** 48657



# Parts Breakdown

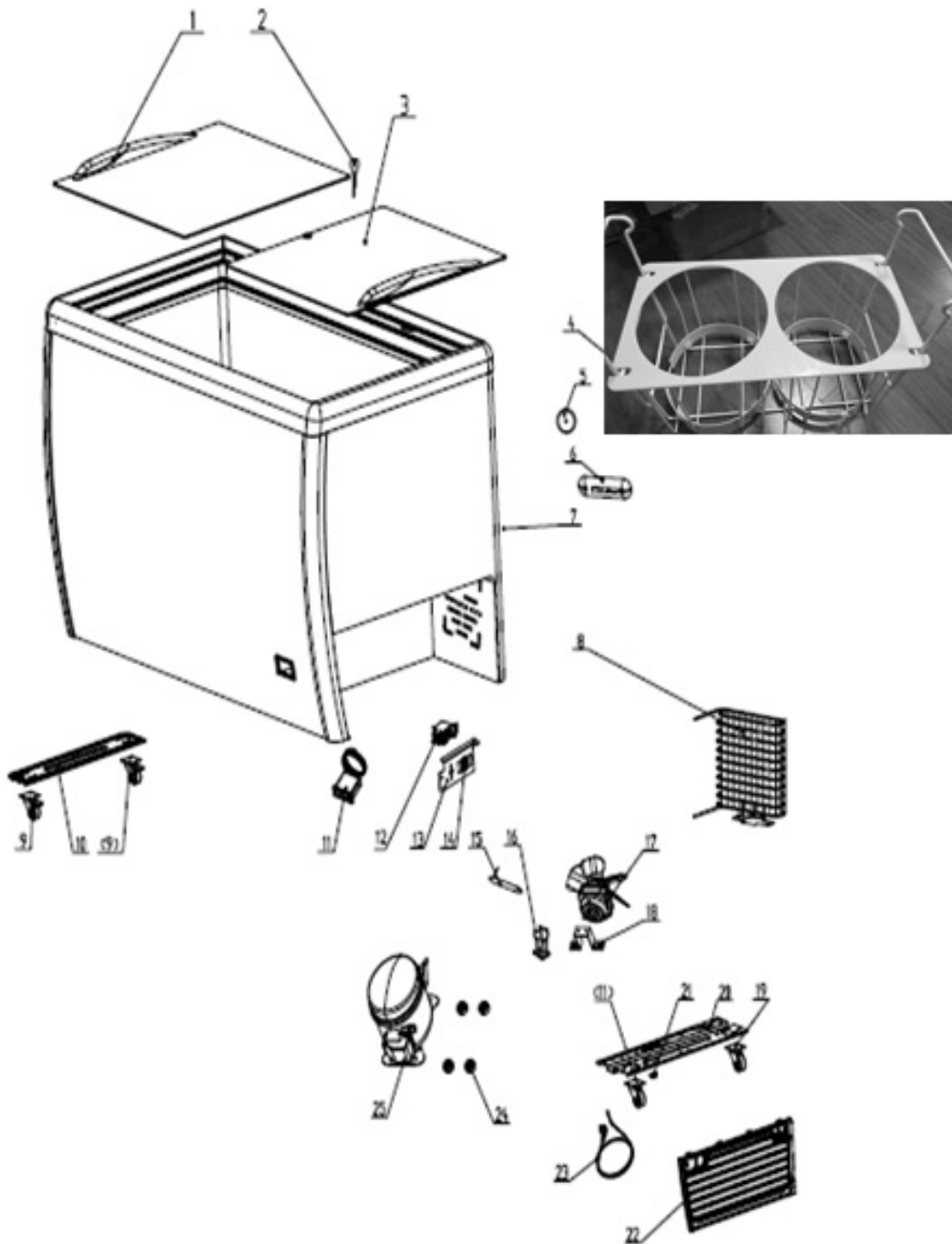
## Model FR-CN-0260-S 48657

Item No.	Description	Position	Item No.	Description	Position	Item No.	Description	Position
AU389	Upper Glass Door Assembly for 48657	1	AU394	LED Light for 48657	14	AU399	Power Supply Cord for 48657	27
AN963	Key and Lock for 48657	2	AI315	Plastic Cover (2 Tubs) for 48657	15	39586	Filter for 48657	28
AU390	Lower Glass Door Assembly for 48657	3	AU395	Round Ice Cream Wire Basket for 48657	16	AN620	Filter Support for 48657	29
AC121	Fasteners for Glass Panels for 48657	4	AN611	Thermostat Cover for 48657	17	AU400	Indicator Light for 48657	30, 31
AC118	Metal Plate for Side Rails for 48657	5	AU396	Cabinet for 48657	18	AU401	Thermostat for 48657	32
AC117	Side Rail for 48657	6	AU397	Wire Condensor for 48657	19	AU402	Thermostat Holder for 48657	33
AC120	Screws for Rails for 48657	7	64767	Condenser Fan Motor for 48657	20	AU403	Compressor Feet for 48657	34
AQ649	Side Glass for 48657	8	AU398	Fan Holder for 48657	21	AU404	Compressor for 48657	35
AC119	L-Shaped Bracket for 48657	9	AN930	Castor for 48657	22	AN943	Castor with Brakes for 48657	36
AU391	Top Glass Panel for 48657	10	AN932	Compressor Baseboard for 48657	23	AN945	U-Iron for 48657	37
AQ654	Gasket for 48657	11	AN623	Wire Clamp for 48657	24	AU405	Thermostatic Film for 48657	37
AU392	Front Display Glass for 48657	12	AN915	JIS 4x12 Self Tapping Screw for 48657	25	AI311	Rubber Bumper for 48657	37
AU393	Long Straight Frame Strip for 48657	13	AN920	Compressor Cover for 48657	26			

# Parts Breakdown

**Model FR-CN-0360-S** 44588

**Model FR-CN-0460-S** 44589



# Parts Breakdown

## Model FR-CN-0360-S 44588

Item No.	Description	Position	Item No.	Description	Position	Item No.	Description	Position
69423	Upper Glass Door for 44588	1	64766	Thermostat Support for 44588	13	28448	Plug Series for 44588	23
41162	Key/Lock for 44588	2	39587	Indicator Lamp for 44588	14	AE623	Compressor Feet for 44588	24
69424	Lower Glass Door for 44588	3	39586	Filter for 44588	15	63503	Compressor (R290) for 44588	25
AI314	Basket (2 Tubs) for 44588	4	64441	Filter Support for 44588	16	AI315	Plastic Cover (2 Tubs) for 44588	
64763	Thermostat Cover for 44588	5	28454	Cooling Fan Motor for 44588	17	AI311	Rubber Bumper for 44588	
64772	Cabinet Plastic Frame for 44588	7	64768	Fan Motor Support for 44588	18	AI312	LED Bar for 44588	
37874	Condenser for 44588	8	28446	Castor without Lock for 44588	19	AI313	LED Transformer for 44588	
28445	Caster with Lock for 44588	9	78720	Compressor Support for 44588	20			
28449	Thermostat Series (no Knob) for 44588	12	28447	Shutter for 44588	22			

## Sneeze Guard

Item No.	Description	Position	Item No.	Description	Position	Item No.	Description	Position
AC126	Front Rail for 44588		AK760	Metal Washers for 44588		AQ649	Side Glass for 44588	
AC117	Side Rail for 44588		AC121	Fasteners for Glass Panels for 44588		AQ655	Front Glass for 44588	
AC118	Metal Plate for Side Rails for 44588		AQ652	Screwdriver for Screws Installation for 44588		AQ656	Top Glass for 44588	
AC119	L-Shaped Bracket for 44588		AQ653	User Manual of Sneeze Guard for 44588		AD068	Sneeze Guard Whole Set Assembled for 44588	
AC120	Screws for Rails for 44588		AQ654	Gasket for 44588				



# Parts Breakdown

## Model FR-CN-0460-S 44589

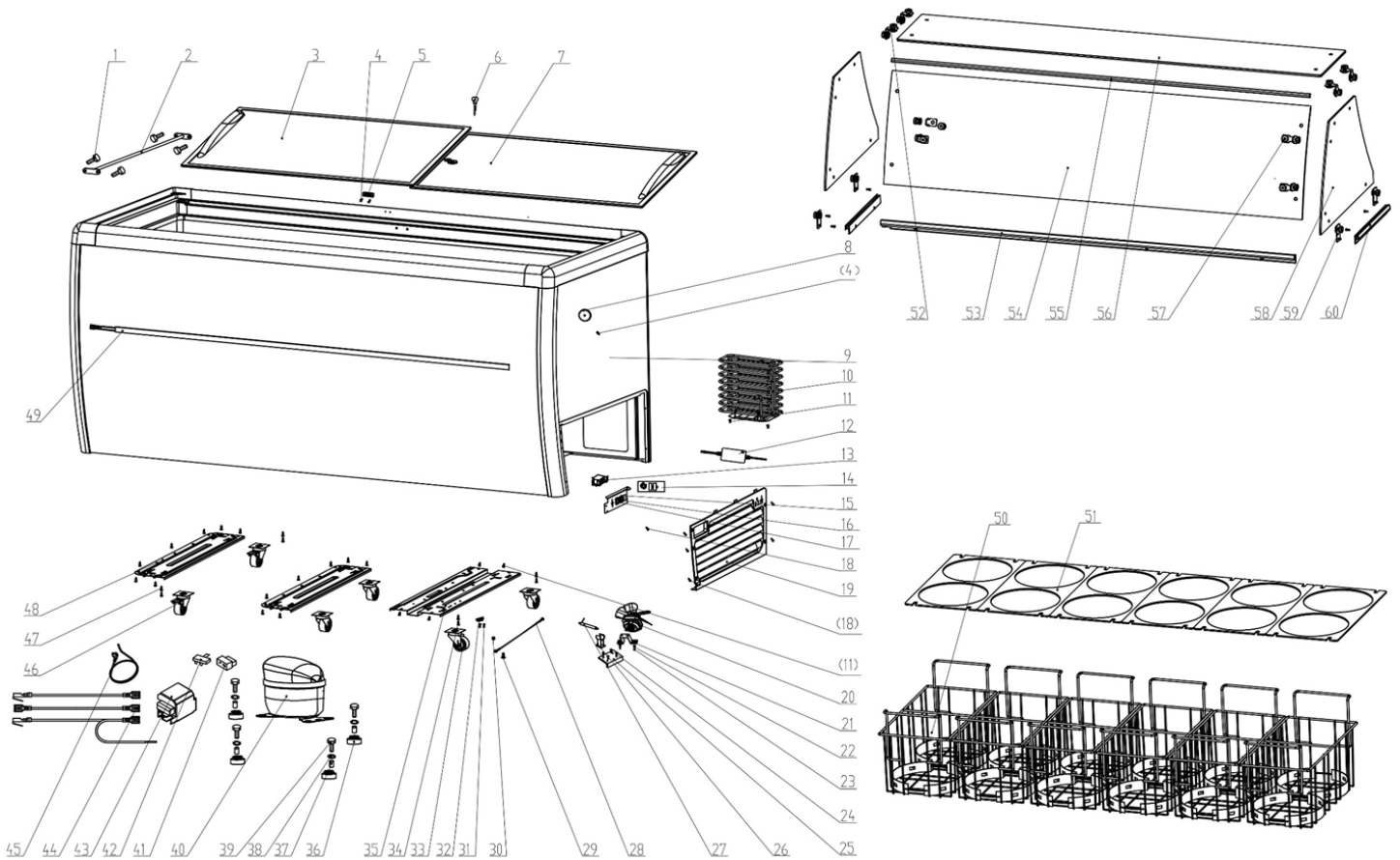
Item No.	Description	Position	Item No.	Description	Position	Item No.	Description	Position
69425	Upper Glass Door for 44589	1	69433	Thermostat Support for 44589	13	69442	Power Cord for 44589	23
69426	Key for 44589	2	69434	Indicator Lamp for 44589	14	AE638	Compressor Feet for 44589	24
69427	Lower Glass Door for 44589	3	69435	Filter for 44589	15	69443	Compressor R290 for 44589	25
AI314	Basket (2 Tubs) for 44589	4	69436	Filter Support for 44589	16	AI315	Plastic Cover (2 Tubs) for 44589	
69428	Thermostat Cover for 44589	5	69437	Fan Motor for 44589	17	AI311	Rubber Bumper for 44589	
69429	Cabinet for 44589	7	69438	Fan Motor Support for 44589	18	AI312	LED Bar for 44589	
69430	Condenser for 44589	8	69439	Casters without Brakes for 44589	19	AI313	LED Transformer for 44589	
69431	Casters with Brakes for 44589	9	69440	Compressor Panel for 44589	20			
69432	Thermostat for 44589	12	69441	Side Panel for 44589	22			

## Sneeze Guard

Item No.	Description	Position	Item No.	Description	Position	Item No.	Description	Position
AC130	Front Rail for 44589		AC120	Screws for Rails for 44589		AQ649	Side Glass for 44589	
AC117	Side Rail for 44589		AK760	Metal Washers for 44589		AQ658	Front Glass for 44589	
AC118	Metal Plate for Side Rails for 44589		AC121	Fasteners for Glass Panels for 44589		AQ659	Top Glass for 44589	
AC119	L-Shaped Bracket for 44589		AQ657	Gasket for 44589		AC958	Sneeze Guard Whole Set Assembled for 44589	

# Parts Breakdown

**Model FR-CN-0560-S** 48648



# Parts Breakdown

## Model FR-CN-0560-S 48648

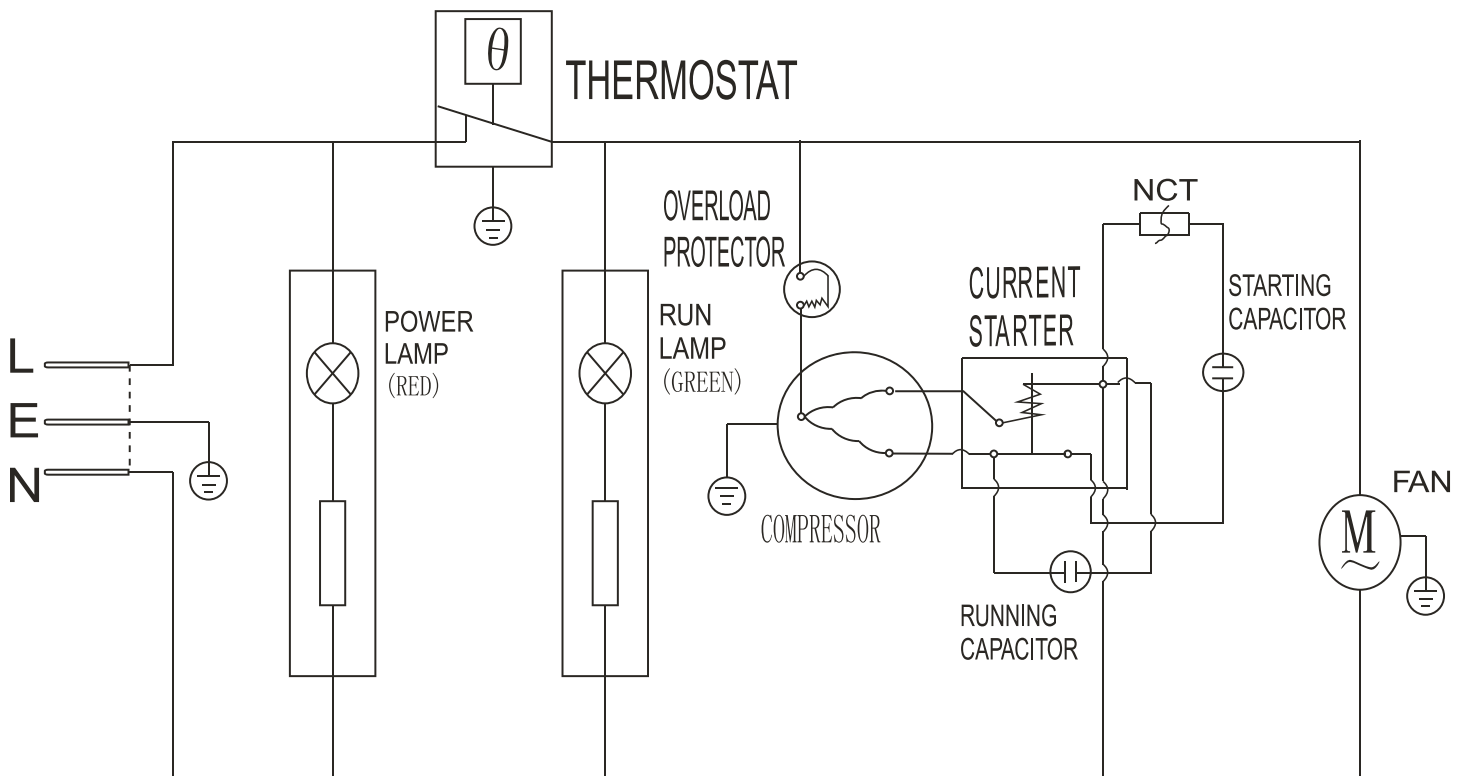
Item No.	Description	Position	Item No.	Description	Position	Item No.	Description	Position
AC120	Screws for Rails for 48648	1	AN922	Fan Bracket for 48648	21	AN973	Compressor Protector for 48648	42
AN960	Tie Bar for 48648	2	AN923	M6x14 Tapping Screw for 48648	22	AN974	Compressor Housing for 48648	43
AU406	Upper Glass Door Assembly for 48648	3	AN924	M6 Nut for 48648	23	AU417	Internal Wire for 48648	44
AN907	Self Tapping Screw 3.9x16 for 48648	4	AN925	ST 4.2x13 Self Tapping Screw for 48648	24	AU418	Power Supply Cord for 48648	45
AN962	Glass Door Stop Block for 48648	5	AN926	Filter Bracket Connecting Plate for 48648	25	AN943	Castor with Brakes for 48648	46
AN963	Key and Lock for 48648	6	AN620	Filter Support for 48648	26	AN944	JIS 5x13 Self Tapping Screw for 48648	47
AU407	Lower Glass Door Assembly for 48648	7	39586	Filter for 48648	27	AN945	U-Iron for 48648	48
AN611	Thermostat Cover for 48648	8	AN928	M4x8 Tapping Screw and Serrated Lock Washers for 48648	29, 30	AU419	LED Light for 48648	49
AU408	Cabinet for 48648	9	AN929	M4x16 Tapping Screw for 48648	31	AU420	Round Ice Cream Wire Basket for 48648	50
AN966	Condenser for 48648	10	AN623	Wire Clamp for 48648	32	AI315	Plastic Cover (2 Tubs) for 48648	51
AN911	M5x16 Tapping Screw with Washer for 48648	11	AN930	Castor for 48648	33	AC119	L-Shaped Bracket for 48648	52
AN913	LED Light Transformer for 48648	12	AN931	ST 4.8x13 Self Tapping Screw for 48648	34	AR261	Front Rail for 48648	53
AU409	Thermostat for 48648	13	AN932	Compressor Baseboard for 48648	35	AR263	Front Glass for 48648	54
AU410	Thermostatic Film for 48648	14	AI311	Rubber Bumper for 48648	36	AQ654	Gasket for 48648	55
AU411	Thermostat Holder for 48648	15	AU414	Sleeve for 48648	37	AR264	Top Glass for 48648	56
AU412	Indicator Light for 48648	16, 17	AU415	Gasket for 48648	38	AC121	Fasteners for Glass Panels for 48648	57
AN915	JIS 4x12 Self Tapping Screw for 48648	18	AU416	Screw M6x30 for 48648	39	AQ649	Side Glass for 48648	58
AN920	Compressor Cover for 48648	19	AN971	Compressor for 48648	40	AC118	Metal Plate for Side Rails for 48648	59
AU413	Fan for 48648	20	AN972	Compressor Starter for 48648	41	AC117	Side Rail for 48648	60

# Electrical Schematics

**Model FR-CN-0160-S** 44590

**Model FR-CN-0360-S** 44588

**Model FR-CN-0460-S** 44589

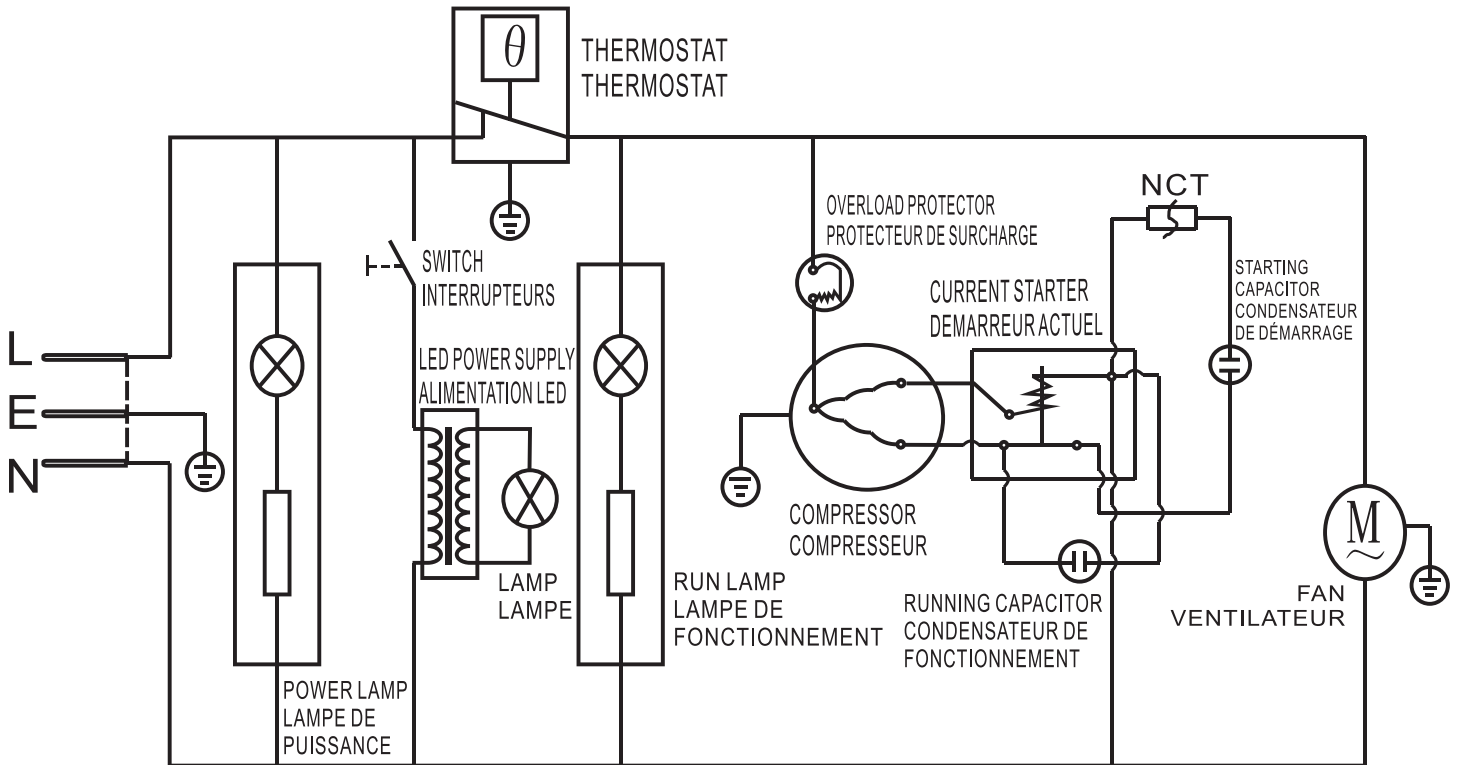


**NEMA**  
5 - 15P  
125VAC / 15 AMP

# Electrical Schematics

**Model FR-CN-0260-S** 48657

**Model FR-CN-0560-S** 48648



**NEMA**  
5 - 15P  
125VAC / 15 AMP





# Warranty Registration

Thank you for purchasing an Omcan product. To register your warranty for this product, complete the information below, tear off the card at the perforation and then send to the address specified below. You can also register online by visiting:

Merci d'avoir acheté un produit Omcan. Pour enregistrer votre garantie pour ce produit, complétez les informations ci-dessous, détachez la carte au niveau de la perforation, puis l'envoyer à l'adresse spécifiée ci-dessous. Vous pouvez également vous inscrire en ligne en visitant:

Gracias por comprar un producto Omcan usted. Para registrar su garantía para este producto, complete la información a continuación, cortar la tarjeta en la perforación y luego enviarlo a la dirección indicada a continuación. También puede registrarse en línea en:

<https://omcan.com/warranty-registration/>

For mailing in Canada

Pour postale au Canada

Por correo en Canadá

For mailing in the US

Pour diffusion aux États-Unis

Por correo en los EE.UU.

**OMCAN**

PRODUCT WARRANTY REGISTRATION

3115 Pepper Mill Court,  
Mississauga, Ontario  
Canada, L5L 4X5

**OMCAN**

PRODUCT WARRANTY REGISTRATION

4450 Witmer Industrial Estates, Unit 4,  
Niagara Falls, New York  
USA, 14305

*or email to: [service@omcan.com](mailto:service@omcan.com)*



Purchaser's Information

Name: \_\_\_\_\_

Company Name: \_\_\_\_\_

Address: \_\_\_\_\_

Telephone: \_\_\_\_\_

City: \_\_\_\_\_ Province or State: \_\_\_\_\_ Postal or Zip: \_\_\_\_\_

Email Address: \_\_\_\_\_

Country: \_\_\_\_\_

Type of Company:

Restaurant  Bakery  Deli

Butcher  Supermarket  Caterer

Institution (*specify*): \_\_\_\_\_

Other (*specify*): \_\_\_\_\_

Dealer from which Purchased: \_\_\_\_\_

Dealer City: \_\_\_\_\_ Dealer Province or State: \_\_\_\_\_

Invoice: \_\_\_\_\_

Model Name: \_\_\_\_\_ Model Number: \_\_\_\_\_

Serial Number: \_\_\_\_\_

Machine Description: \_\_\_\_\_

Date of Purchase (MM/DD/YYYY): \_\_\_\_\_

Date of Installation (MM/DD/YYYY): \_\_\_\_\_

Would you like to extend the warranty?  Yes  No

**Thank you for choosing Omcan | Merci d'avoir choisi Omcan | Gracias por elegir Omcan**



Since 1951 Omcan has grown to become a leading distributor of equipment and supplies to the North American food service industry. Our success over these many years can be attributed to our commitment to strengthen and develop new and existing relationships with our valued customers and manufacturers. Today with partners in North America, Europe, Asia and South America, we continually work to improve and grow the company. We strive to offer customers exceptional value through our qualified local sales and service representatives who provide convenient access to over 6,500 globally sourced products.

---

Depuis 1951 Omcan a grandi pour devenir un des "leaders" de la distribution des équipements et matériel pour l'industrie des services alimentaires en Amérique du Nord. Notre succès au cours de ces nombreuses années peut être attribué à notre engagement à renforcer et à développer de nouvelles et existantes relations avec nos clients et les fabricants de valeur. Aujourd'hui avec des partenaires en Amérique du Nord, Europe, Asie et Amérique du Sud, nous travaillons continuellement à améliorer et développer l'entreprise. Nous nous efforçons d'offrir à nos clients une valeur exceptionnelle grâce à nos ventes locales qualifiées et des représentants de service qui offrent un accès facile à plus de 6500 produits provenant du monde entier.

---

Desde 1951 Omcan ha crecido hasta convertirse en un líder en la distribución de equipos y suministros de alimentos en América del Norte industria de servicios. Nuestro éxito en estos años se puede atribuir a nuestro compromiso de fortalecer y desarrollar nuevas relaciones existentes con nuestros valiosos clientes y fabricantes. Hoy con socios de América del Norte, Europa, Asia y América del Sur, que trabajan continuamente para mejorar y crecer la empresa. Nos esforzamos por ofrecer a nuestros clientes valor excepcional a través de nuestro local de ventas y representantes de los servicios que proporcionan un fácil acceso a más de 6,500 productos con origen a nivel mundial.

