

## Refrigerated bases 2-Drawer Chef Base Refrigerator 62" Long

ITEM # \_\_\_\_\_

MODEL # \_\_\_\_\_

NAME # \_\_\_\_\_

SIS # \_\_\_\_\_

AIA # \_\_\_\_\_



738311 (KCHCB60R)

2-Drawer Chef Base  
Refrigerator 62" Long

### Short Form Specification

**Item No.** \_\_\_\_\_

2-drawer Refrigerated base with exterior back panel, exterior side panels, and exterior control panel in 430 stainless steel, exterior bottom panel in galvanized steel; interior back panel in 430 stainless steel, interior bottom and interior side panels in 304 stainless steel. Top in 304 stainless steel. Electronic temperature control.

R290 gas in the refrigeration circuit.  
ETL Safety and Sanitation certified.  
3/5 Years warranty

### Main Features

- External temperature display.
- Cabinet completely insulated with high density polyurethane for low environmental impact.
- Recommended maximum temperature on worktop surface is 572°F.
- Insulation of the top guaranteed thanks to the Integrated ceramic fiber heat shield.
- Removable gasket for easy cleaning operations.
- Fin & Tube Condenser improves performance in high temperature environments.
- Electronic Temperature Control, quick and simple to set, with control display for easy monitoring.

### Construction

- Pre-wired heavy duty power cord.
- Stainless steel interior and exterior, durable and easy to clean for daily commercial use.
- Heavy duty casters.
- Magnetic gasket removable without tools for easy cleaning.
- Heavy duty drawer runners.

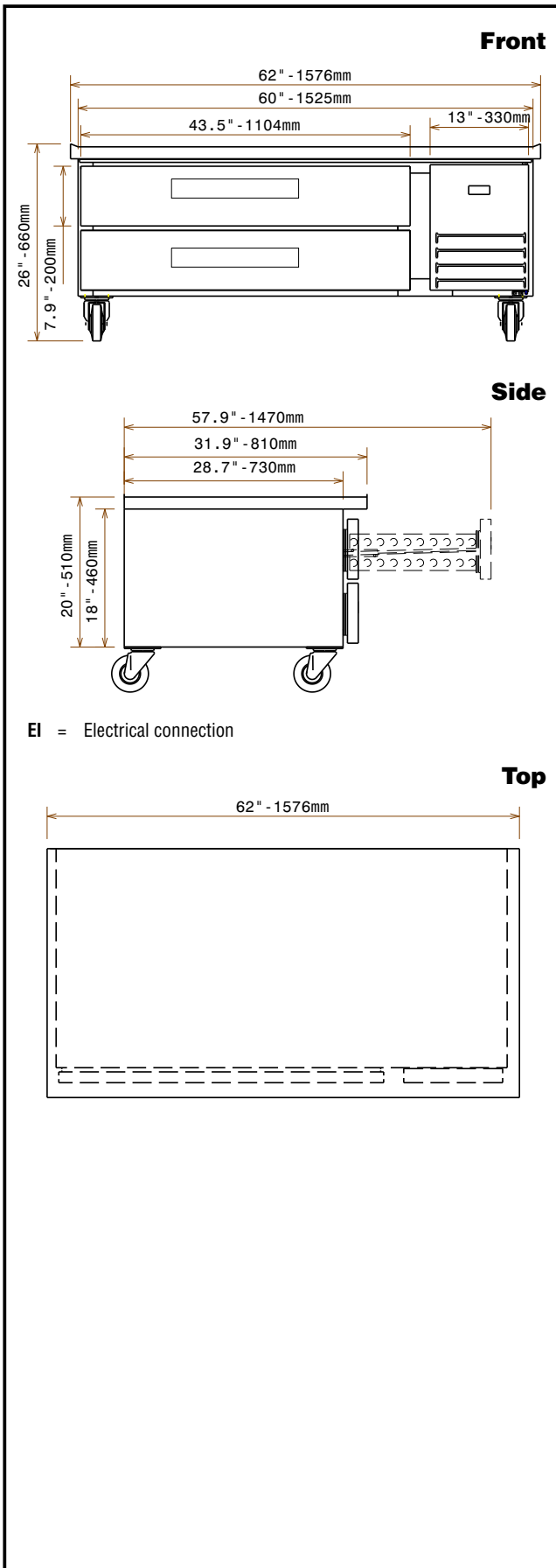
### Sustainability

- CFC and HCFC free, highly ecological refrigerant type: R290 (ecological gas in foam: cyclopentane). Hydrocarbon refrigerant gas R290 for the lowest environmental impact (GWP=3), to reduce green house and ozone depletion effects.
- High efficiency components to minimize the energy consumption still guaranteeing the highest performances.
- Hydrocarbon refrigerant gas R290 for the lowest environmental impact (GWP=3) - CFC and HCFC free.

### Optional Accessories

- 1 ADJUSTABLE FOOT PNC 206445

APPROVAL: \_\_\_\_\_



## Electric

Supply voltage:	115 V/1 ph/60 Hz
738311 (KCHCB60R)	
Electrical power, max:	0.22 kW
Plug type:	USA NEMA 5-15P

## Key Information:

Gross capacity:	273 lt
External dimensions, Width:	62 1/4" (1575 mm)
External dimensions, Depth:	31 7/8" (810 mm)
External dimensions, Height:	26" (660 mm)
Internal Dimensions (depth):	26 13/16" / (680.72 mm)
Internal Dimensions (height):	13 11/16" / (347.98 mm)
Internal Dimensions (width):	40 3/16" / (1021.08 mm)
Net weight:	269 lbs (122 kg)
Shipping width:	32 7/8" (835 mm)
Shipping depth:	63 3/16" (1605 mm)
Shipping height:	28 3/8" (720 mm)
Shipping weight:	298 lbs (135 kg)
Shipping volume:	34.07 ft <sup>3</sup> (0.96 m <sup>3</sup> )
Warranty:	3 / 5 years
Approvals	ETL C&US; ETL SANITATION
N° of drawers:	2

## Refrigeration Data

Compressor power:	1/5 hp
Operating temperature min.:	0 °C
Operating temperature max.:	5 °C
Condenser type:	Fin & tube
Defrost type:	Auto Defrost

## Sustainability

Current consumption:	2.1 Amps
Refrigerant type:	R290
Refrigerant weight:	80 g