



Job:                   Item No.:  
 Notes:  
 Model Number: □ GC42

## Herb and Micro Green Growing Cabinets

## SPECIFICATIONS



GC42

### DESCRIPTION

GardenChef Cabinets are designed to provide the proper environment for growing micro greens and herbs in the kitchen. It features a touchscreen control for fully automated lighting and watering schedules, as well as 40 programmable seed settings. Operators can grow in potting soil or hydroponic media.

### SHORT FORM SPECIFICATIONS

GardenChef micro green and herb growing cabinet, electric, individual growing zones, programmable touchscreen controls for watering lighting, temperature and humidity, fluorescent T5 growing lights, autofill water reservoir with water level, TDS and pH sensors, 3/8" NPT fill and drain connections. All stainless steel construction with 3" casters and adjustable legs for leveling. Single electric connection, 120 volts, 4.4 amps, 60 Hz, single phase, six foot rubber cord with grounding plug, NEMA 5-15P.

### FEATURES

- Touchscreen controls; programmable for temperature, humidity, watering and lighting cycles; lockout access code
- Preprogrammed default settings for most growing needs; fully programmable to change seeds or adjust cycles
- Water reservoir equipped with water pump for irrigation, filter and sensors to monitor reservoir level, pH, total dissolved solids (TDS). Nutrients can be added to the water to fertilize plants
- Eight individual Individual growing zones fit two 10"x20" garden flats with propagation domes (up to 5") per zone
- High output 18" T5 fluorescent growing lights (two per zone) with diffuser panels
- Automatic pump irrigation system with flood and drain watering for each growing zone
- Each zone has a removable growing shelf, on rollers for easy access and cleaning
- All stainless steel double-wall insulated construction
- 3" diameter, all-swivel, polyurethane casters with brakes; four adjustable legs for leveling
- Each cabinet includes one set of garden flats, propagation domes and mats

### OPTIONS AND ACCESSORIES

- **Starter kit:** includes one set of garden flats, propagation domes and mats, sifter, hydrogen peroxide, 20 gallon plastic tub, measuring syringe
- Available electrical configurations: 208, 220-240v

### CERTIFICATIONS



### WARRANTY

Gardenchef comes with a one year warranty for parts and labor.



**CARTER-HOFFMANN**  
 1551 McCormick Avenue, Mundelein, IL 60060  
 847.362.5500 • 800.323.9793  
 www.carter-hoffmann.com

Follow us



Form GC0421

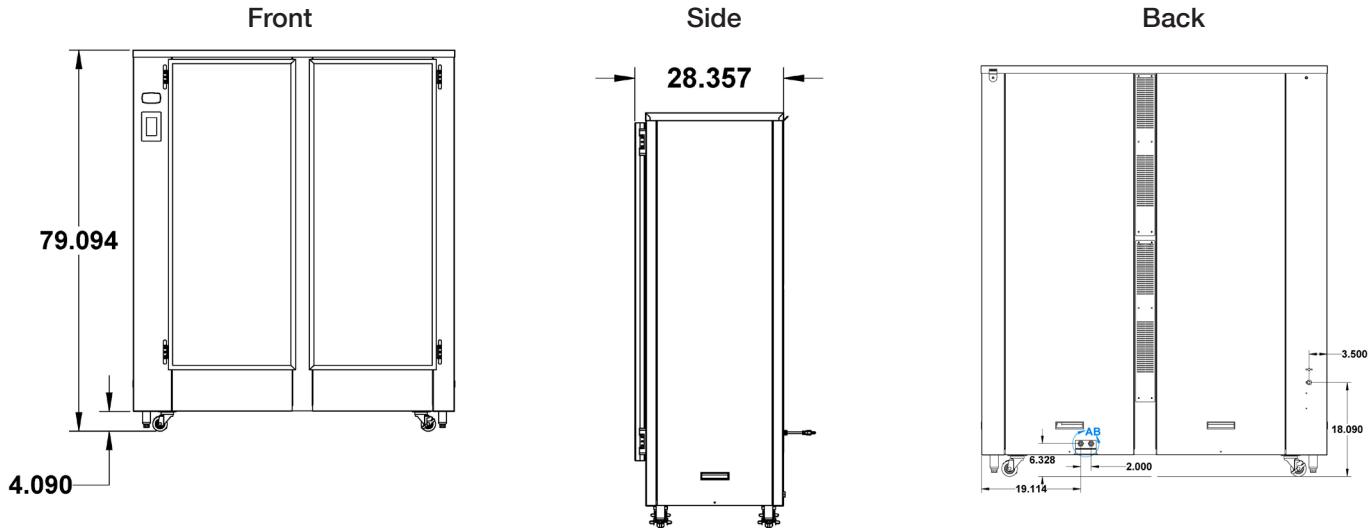




Job:                   Item No.:  
 Notes:  
 Model Number: □ GC42

Herb and Micro Green Growing Cabinets

**SPECIFICATIONS**



**CLEARANCES**

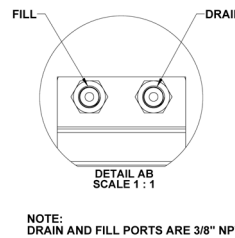
A clearance of at least 2” for a ventilation gap on the top and back of the unit must be maintained for adequate air flow. A clearance of least 36” at the front of the cabinet is required to open the door(s) and pull the drawers out.

**ELECTRICAL DATA**

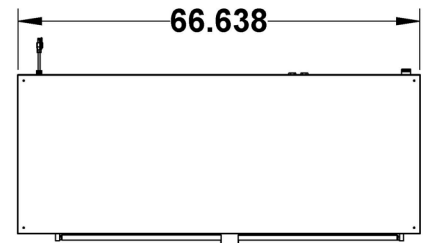
Single electrical connection, 120 volts, 4.4 amps, 60Hz, single phase, NEMA 5-15P plug



**Drain - Fill Close-up**



**Top**



Model	Growing Flat Capacity		Shelf Spacing		Inside Working Height		Height		Depth		Width		Shipping Weight	
	10"x20"Flats	Zones	in	mm	in	mm	in	mm	in	mm	in	mm	lbs	kg
GC42	16	8	*		63	1600	79	2007	28 <sup>1/4</sup>	718	66 <sup>3/4</sup>	1695	525	238

\*Zones: level 1 (top): 9.875” (251mm); level 2: 11.5” (292mm); level 3: 13” (330mm); level 4 (bottom): 16.75” (425mm)

Due to periodic changes in designs, methods, procedures, policies and regulations, the specifications contained in this sheet are subject to change without notice. While Carter- Hoffmann exercises good faith efforts to provide information that is accurate, we are not responsible for errors or omissions in information provided or conclusions reached as a result of using these specifications. By using the information provided, the user assumes all risks in connection with such use.

**CARTER-HOFFMANN**  
 1551 McCormick Avenue, Mundelein, IL 60060  
 847.362.5500 • 800.323.9793  
 www.carter-hoffmann.com

Printed in the USA • GC42 • Rev. A • 04.2021  
 Specifications are subject to change without notice  
 and are not intended for installation purposes.