

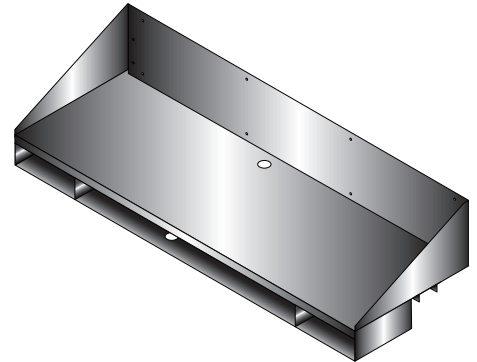


STAINLESS STEEL

# WALL MOUNTED MULTI-STATION SHELF with Multipurpose Undershelf



Item #: \_\_\_\_\_ Qty #: \_\_\_\_\_  
 Model #: \_\_\_\_\_  
 Project #: \_\_\_\_\_



**FEATURES:**

- 24" wide Stainless Steel Shelf.
- 16" high backsplash with side supports.
- 12" deep x 4" (Open Area) Shelf with partitioned segments.
- Two 2" grommet holes for Power Cord. One located on upper shelf, one located on lower shelf.

**CONSTRUCTION:**

- Pre-drilled holes for mounting (Mounting hardware not included)
- All TIG welded.
- Exposed surfaces polished to a satin finish.
- Shelf partitions are fixed - Use accessory "TA-61" for special opening requirements.

**MATERIAL:**

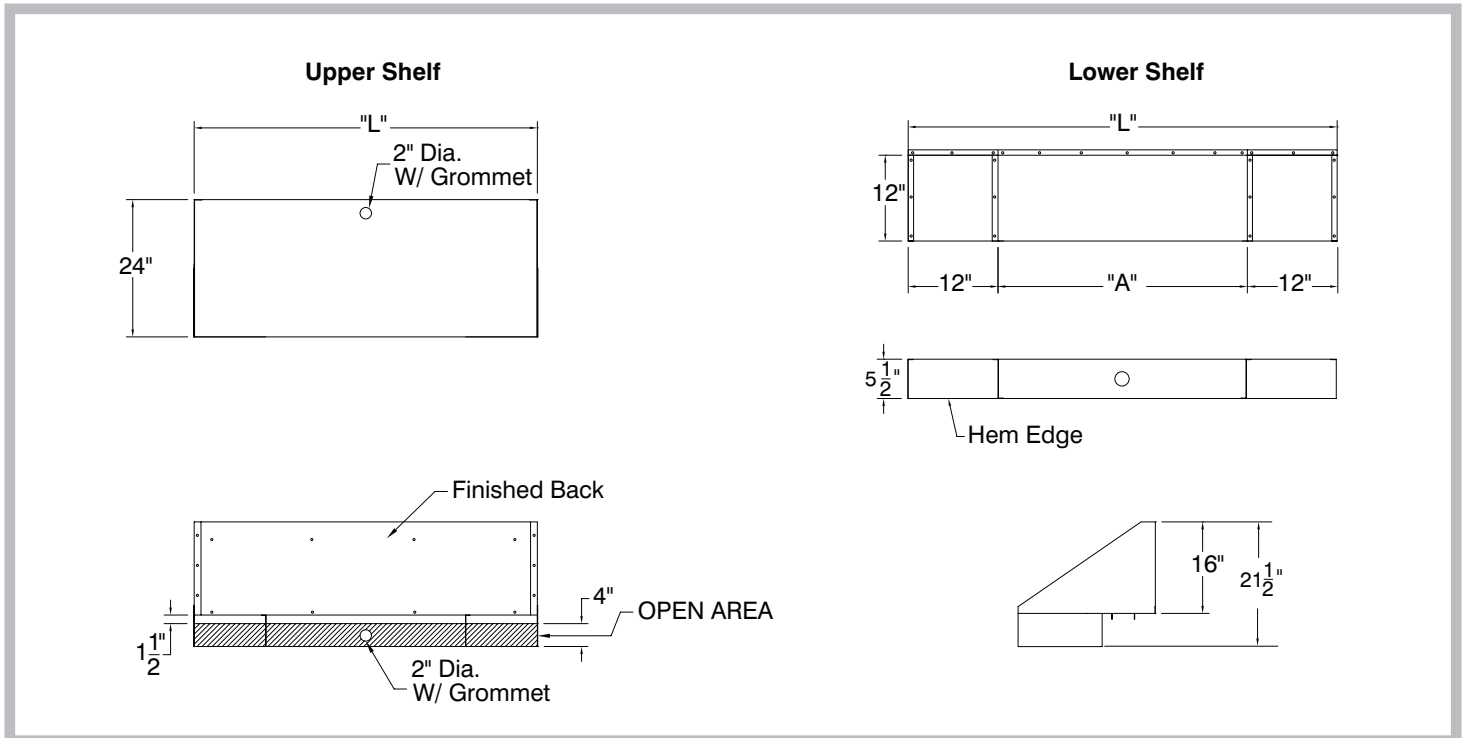
18 gauge, Type 430 stainless steel.

Model #	Width	Length	"A"	# of Partitions	Approx. Wt.	Approx. Cu. Ft.
MS-24-24-PS	24"	24"	N/A	1	58 lbs.	11
MS-24-36-PS	24"	36"	12"	2	85 lbs.	16
MS-24-48-PS	24"	48"	24"	2	110 lbs.	21

## DETAILS and SPECIFICATIONS

TOL ± .500"

ALL DIMENSIONS ARE TYPICAL



Customer Service Available To Assist You 1-800-645-3166 8:30 am - 8:00 pm E.S.T.

For Orders & Customer Service:  
 Email: customer@advancetabco.com or Fax: 631-242-6900

For Smart Fabrication™ Quotes:  
 Email: smartfab@advancetabco.com or Fax: 631-586-2933