



SERVING THE FOOD INDUSTRY SINCE 1951

#8 Economic Stainless Steel Meat Grinder 0.4HP

ITEM: 47777

MODEL: MG-CN-0008-E

Ideal for butcher shops,
food stores & restaurants

Omcan's powerful grinders
are designed to handle large quantities
of meat with ease & speed



FEATURES

- Powerful motor can grind up to 240 - 260 lb. of meat per hour
- Durable construction with stainless steel knife, head ring, auger, and meat pan
- Permanently lubricated motor with improved grease formulation to reduce noise
- Long-lasting metal gears with roller bearings that ensure smooth and reliable operation.
- Built-in circuit breaker
- Comes with 2 stainless steel cutting plates for coarse and fine grinding
- Includes 1 stuffing tube

Telephone: 1-800-465-0234

Fax: (905) 607-0234

Email: sales@omcan.com

Website: www.omcan.com



Authorized Dealer

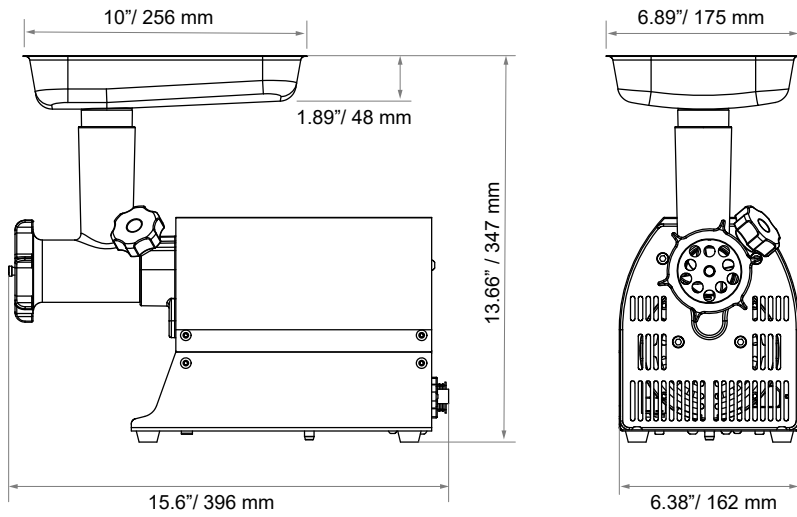


#8 Meat Grinder 0.4HP

ITEM: 47777

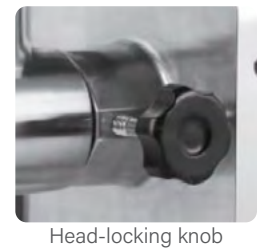


TECHNICAL DRAWING & DIMENSIONS



SPECIFICATIONS

Item Number	47777
Model	MG-CN-0008-E
Hub size	#8
Usage	Light Duty
Power	0.4 HP/ 300 W
Electrical	120V / 60Hz / 1Ph
Transportation type	Gear-Driven
Capacity	240 - 260 lb. / 109 - 118 kg per hour
Includes	4.5 mm + 10 mm plates 1 stuffing tubes + 1 meat stomper
RPM	180 RPM
Meat Tray Size	10.07" x 6.89" x 1.89" / 256 x 175 x 48 mm
Net Dimensions (DWH)	15.6" x 6.38" x 13.66" / 396 x 162 x 347 mm
Gross Dimensions (DWH)	15.5" x 14" x 11.8" / 393.7 x 355.6 x 299.7 mm
Net weight	17.63 lbs/ 8 kg
Gross weight	20.5 lbs/ 9.3 kg



Improved auger design that speeds up meat grinding process and reduces jams and clogs



Large all-metal gear structure provides durability, roller bearing for smoother and quieter running



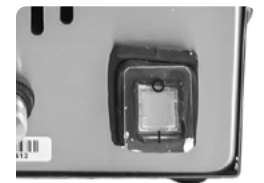
Larger-bite auger grabs more meat to improve production efficiency



Stainless steel accessories



Includes food-grade stuffing tube and meat stomper



Dust-proof switch

