



Features

Eco-Friendly Refrigerant

R290 refrigerant with a global warming potential (GWP) of 3

High-Strength, Full-Extension Drawers

Premium slide and framework construction promotes lateral stability while offering high dynamic load capacities and a stay-shut feature

Stainless Steel Exterior

Galvanized back and bottom to reduce the risk of corrosion

Long-Lasting, Removable Gaskets

Santorprene™ gaskets last four times longer than standard gaskets

Heavy-Duty Soft Casters

Secured to a 12 gauge steel base to ensure years of worry-free operation

High-Efficiency Refrigeration System

Forced air circulation provides uniform temperature throughout the cabinet while automatic defrost self-manages ice buildup and evaporates moisture

Drawer Capacity

Large drawers include two (2) divider bars to accommodate three (3) full-size 12"W x 20"H x 6"D hotel pans. Small drawers include one (1) divider bar to accommodate two (2) full-size hotel pans — additional pan adapters are available for fractional pans

Easy to Clean

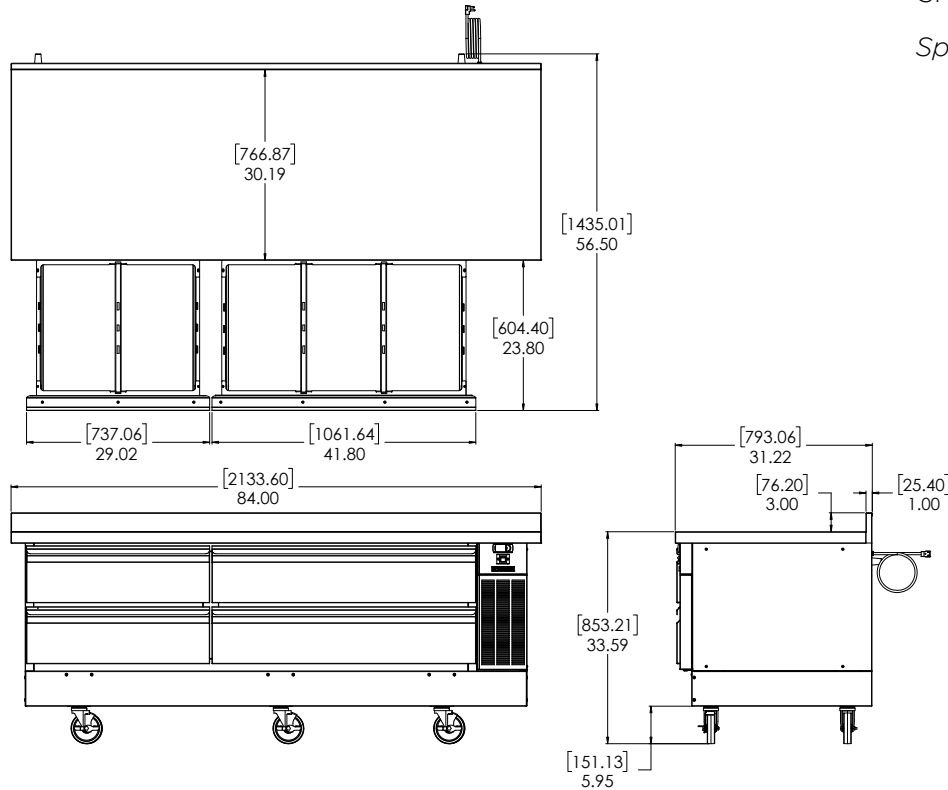
Aluminum interior, coved corners, finished edges, plus full-extension and easy lift out drawers

High-Density Insulation

Foamed-in-place, CFC-free polyurethane insulation for maximum strength, rigidity, and insulation

Flat Top with Backsplash

3" backsplash provides a backstop for countertop equipment while protecting your walls



Technical Specifications

Electrical Requirements	115v/60hz/1ph/NEMA 5-15P Plug
Product Dimensions	84"W x 36.59"H x 32.58"D (213.36cm x 92.94cm x 82.75cm)
Product Weight	575lbs (260.82kg)
Shipping Dimensions	89"W x 56"H x 36"D (226.06cm x 142.24cm x 91.44cm)
Shipping Weight	665lbs (301.64kg)
Shipping Cubic Dimensions	103.83ft ³ (2.94m ³)
Temperature Range	-5 to 0°F (-20.5 to 17.7°C)
Refrigerant	R290
Insulation	CFC-free polyurethane foam-in-place insulation

Exterior Construction	Stainless steel exterior with galvanized back and bottom
Interior Construction	Aluminum interior with coved corners and finished edges
Drawers	Four (4) high-strength, full-extension drawers with dividers
Capacity	Ten (10) full-size 12"W x 20"H x 6"D hotel pans
Door/Drawer Gasket	Santoprene™ gasket
Casters	Six (6) 5" heavy-duty soft casters (three locking)
Certifications	ETL Safety, ETL Sanitation
Warranty	1-year parts and labor, 5-year compressor (part only)

Model Number	Description
SKFCB84H-EDUS2	Chef Base Freezer 84", 115v/60hz/1ph, flat top with backsplash, riser kit, 4 drawer, 5" medium-duty soft casters (three locking), NEMA 5-15P

Accessories	Description
25567	Adapter Bars for Fractional Pans
43581	Pan 1/6 Size, 4" Deep Plastic
43643	Pan 1/6 Size, 6" Deep Plastic
27066	Pan 1/3 Size, 4" Deep Plastic
26415	Pan 1/3 Size, 6" Deep Plastic

To learn more about **Silver King Chef Base Freezer**, visit silverking.com