

BLUELAA



GAS RANGE BLR60-10B / 10 Burner Gas Range

PRODUCT DESCRIPTION

-  12" x 12" Heavy Duty, removable cast iron Burner Grates
-  Oven Temperature Range - 175 F to 500 F
-  Gas Ranges are all Natural Gas (NG) Standard. LP conversion kit is included.
-  Two Chrome racks per oven section standard. Interior offers multiple position rack guides.
-  Porcelainized interior for easy cleaning
-  6" casters with lock for easy mobility.
- the front casters comes with (2) with break and (2) without break for the rear
-  High quality stainless steel & robust design



MODEL#

DIMENSIONS

BLR60-10B

Width Depth Height

60 in 31 1/2 in 56 in

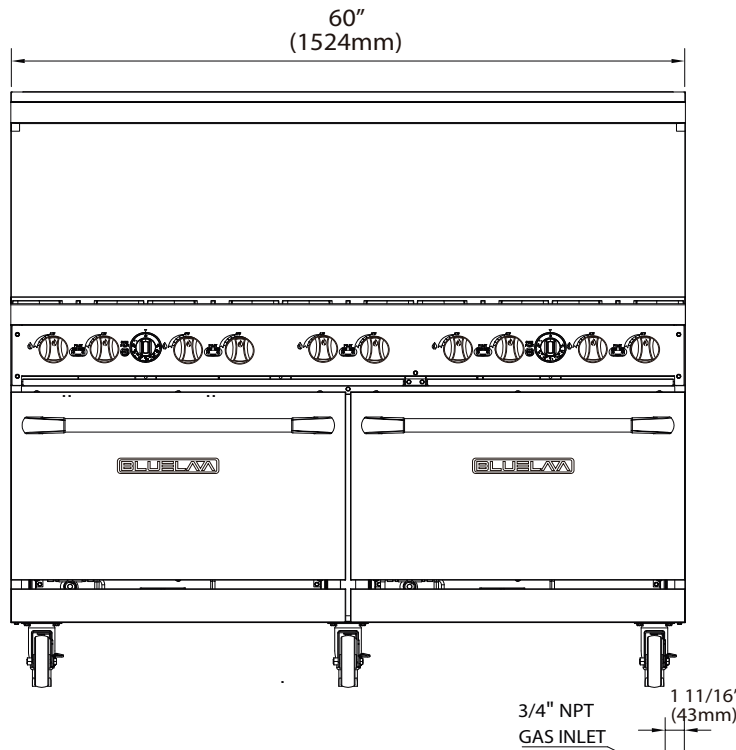
* All measurement are presented in Inches



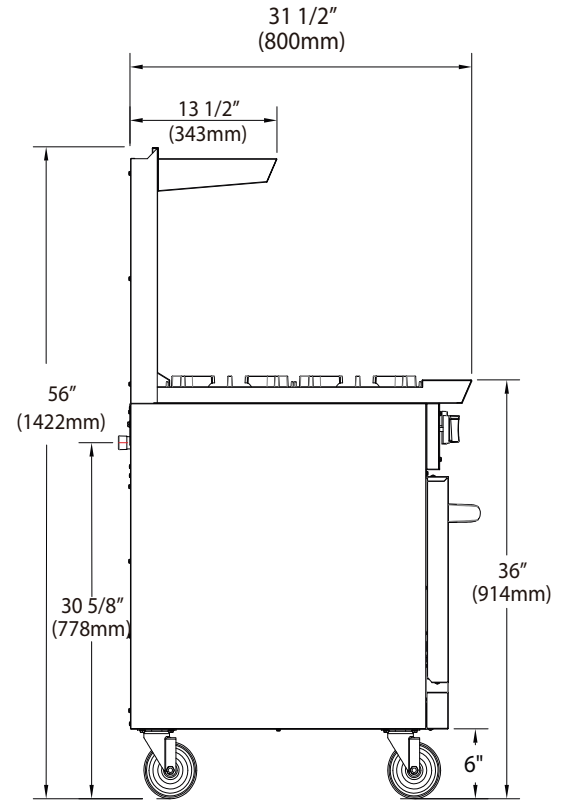
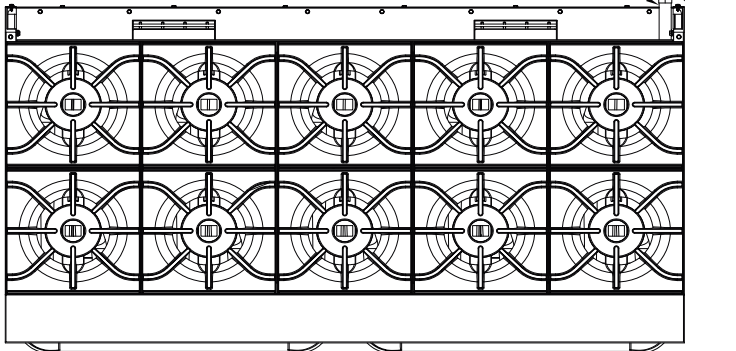
DETAILS & SPECIFICATIONS

GAS RANGE BLR60-10B / 10 Burner Gas Rang

Front View



Top View



Side View

BLR60-10B		LPG		NG	
		Hot Plate	Oven	Hot Plate	Oven
GAS TYPE LPG/NG		10	2	10	2
BURNERS		30,000	35,000	33,000	35,000
BTU/H PER BURNER		52	49	41	38
NOZZLE #		300,000	70,000	400,000	70,000
TOTAL OUTPUT BTU		10		5	
GAS PRESSURE		WORKING AREA 60" x 24"			

Model	Packaging Dimensions (inches)			Net Weight (lbs)	Ship Weight (lbs)	Container Capacity 40' HQ
	W	D	H			
BLR60-10B	62"	36 4/5"	38 1/5"	597.52	716.10	44

BLUELAW
orders@blueairfse.com

223 W. Rosecrans Ave., CA 90248
9 W. Shelton Terrace #A, Hillside, NJ 07205
7025 Amwiler industrial Drive, Suite A, Atlanta GA

T: 310-808-0102
T: 908-688-0970
T: 470-625-0182