

Glass-Top Refrigerated Condiment Rails

- Keep fresh ingredients within reach for easy assembly of pizzas, sandwiches, and more
- Electronic control for ease of use
- Aids in kitchen efficiency



UCGAC166



UCGAC223

Model	Description	Voltage/Hz/Phase/Amps	Shipping Weight
UCGAC166	Glass-Top Refrigerated Condiment Rail - 66"	115 / 60 / 1 / 1.5	137 lb
UCGAC223	Glass-Top Refrigerated Condiment Rail - 88"	115 / 60 / 1 / 1.5	165 lb

Specifications

UCGAC166 storage capacity: 7 GN 1/3 pans (not included)

UCGAC223 storage capacity: 10 GN 1/3 pans (not included)

Environmentally friendly R134a refrigerant: UCGAC166: 7.0 oz (0.200 kg) / UCGAC223: 8.8 oz (0.250 kg)

Factory pre-wired for dedicated outlet, 11 ft cord and plug included NEMA 5-15P

NSF/ANSI Standard 7 compliant

Stainless Steel and Glass Construction

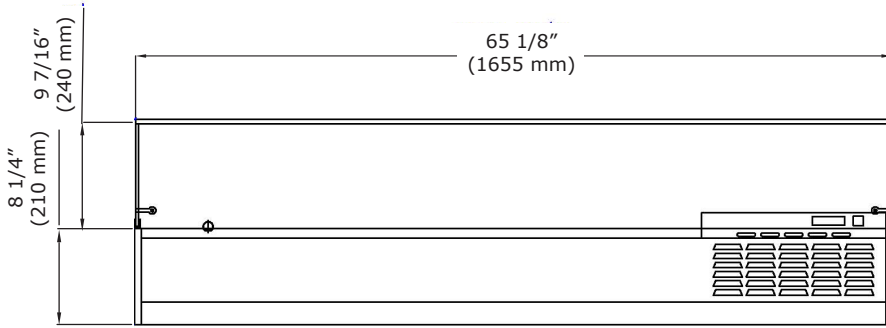
Temperature range: 28°F to 46°F

Accessories	Description	Shipping Weight
ULAGN-1315-T	Stainless GN 1/3 Pan (6.93" x 12.79" x 5.9")	1.67 lb
ULAGNC-13	Stainless GN 1/3 Pan Top (6.93" x 12.79")	.77 lb
ULAGN-2815	Stainless GN 2/8 Pan (5.19" x 12.79" x 5.9")	1.3 lb
ULAGNC-28	Stainless GN 2/8 Pan top (5.19" x 12.79")	.77 lb
ULAGN-1615	Stainless GN 1/6 Pan (6.93" x 6.38" x 5.9")	.88 lb
ULAGNC-16	Stainless GN 1/6 Pan top (6.93" x 6.38")	.77 lb

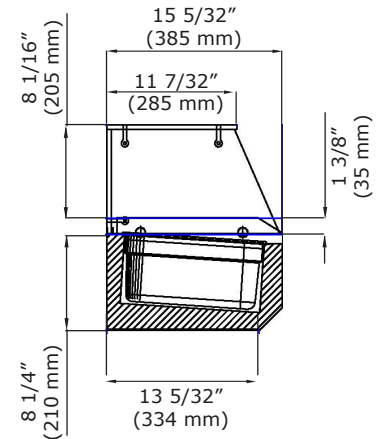
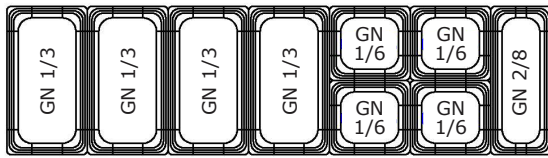


Product Specifications • Glass-Top Refrigerated Condiment Rails

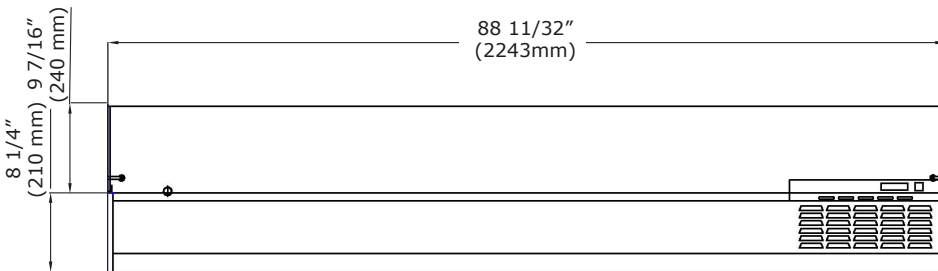
UCGAC166



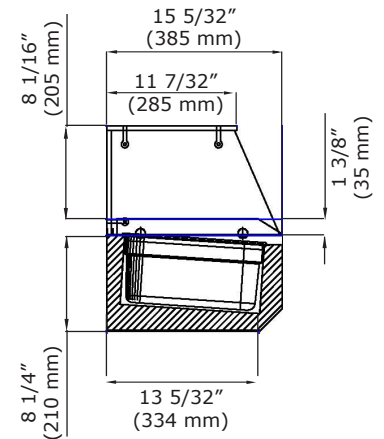
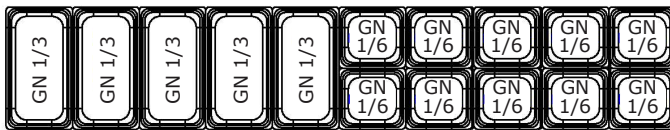
For reference only - pans not included



UCGAC223



For reference only - pans not included



Commercial Warranty

3 Year (parts & labor) / 5 year sealed system (parts)
See complete warranty for details



Intertek