

**15A - 120V Duplex Receptacle
Located Beneath Blender Shelf**

Add-On Blender Shelf with Duplex Outlet Model # A-24

Item #: _____	Qty #: _____
Model #: _____	
Project #: _____	

FEATURES:

- All stainless steel construction.
- Grommet hole for blender power cords.
- Includes 15A-120V duplex outlet located beneath shelf.
- Keyhole installation (under shelf).

MATERIAL:

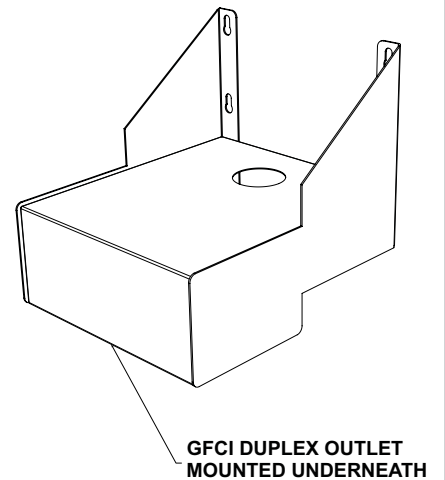
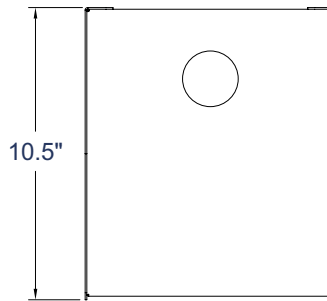
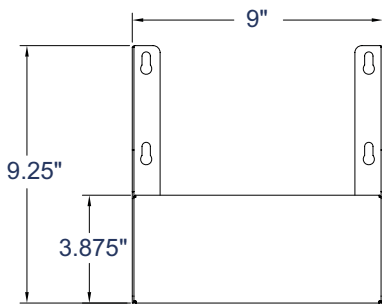
- Sides:** 16 gauge, 304 stainless steel
- Shelf:** 20 gauge, 304 stainless steel

DETAILS and SPECIFICATIONS

TOL Overall: ± .500" Interior: ± .250"

ALL DIMENSIONS ARE TYPICAL

A-24



2 lbs.



Customer Service Available To Assist You 1-800-645-3166 8:30 am - 8:00 pm E.S.T.

For Orders & Customer Service:
Email: customer@advancetabco.com or Fax: 631-242-6900

For Smart Fabrication™ Quotes:
Email: smartfab@advancetabco.com or Fax: 631-586-2933