



HCD-500B/1000B

ICE BAGGING SYSTEM



HCD-500B/1000B
12/16/22
Item # 13237

Item #: _____
Project: _____
Qty: _____
AIA#: _____

W x D x H

HCD-500B
30" x 36" x 71"

HCD-1000B
48" x 36" x 71"

HCD-500B
Ice Bagging System
Shown with a KM-901MRJ



HCD-1000B
Ice Bagging System



*For use with crescent cube
ice machines only*

Features

- ▶ All stainless steel exterior finish
- ▶ Stainless steel auger and agitator
- ▶ Ice drop rate of 120 lbs. per minute

HCD-500B

- Ice storage capacity of 647 lbs. - ideal for limited space
- Safety overload lighted reset button

HCD-1000B

- Ice storage capacity of 1078 lbs.
- Equipped with Dual Agitators for easier ice management
- Built-in recovery safety torque overload

HCD-500B/1000B

- Superior seamless poly liner unlike competitor units
- Front ice shovel door
- Stainless steel adjustable bag shelf
- 48" heavy duty ice paddle shipped with every dispenser
- Safety interlock door switch prevents operation when door is open
- 24V foot activated pedal
- Depth including front dispense nozzle and rear chain drive cover is 52.5"
- 115V/60Hz/1 phase power supply

Warranty:

2 Year Parts & Labor warranty through Kloppenberg.
Valid in United States, Canada, Puerto Rico and U.S. Territories.
Contact Kloppenberg for warranty in other countries.

Kloppenberg Product



Model	Amperage	Voltage	Shipping Weight
HCD-500B	8.4A	115V/60/1	510 lbs.
HCD-1000B	8.4A	115V/60/1	590 lbs.

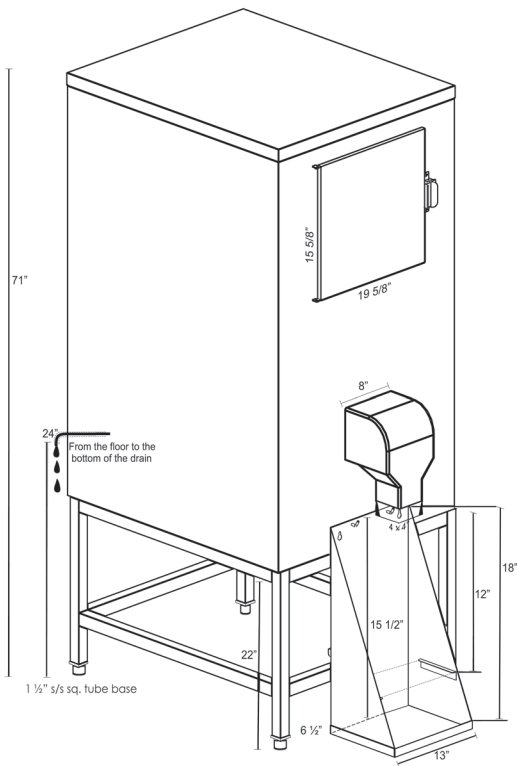
Hoshizaki reserves the right to change specifications without notice.



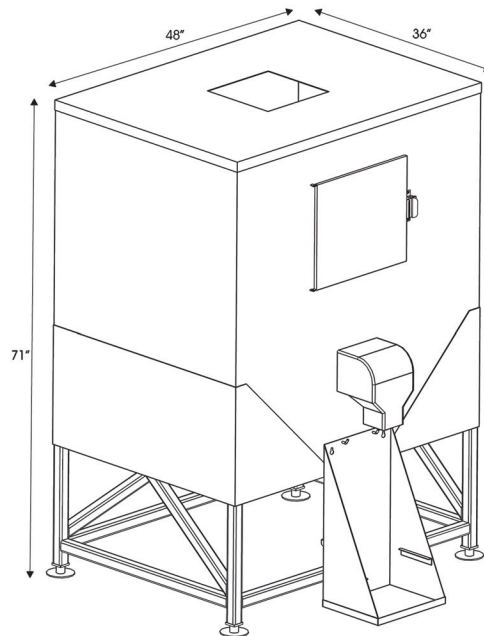
HCD-500B/1000B

ICE BAGGING SYSTEM

HCD-500B/1000B
12/16/22
Item # 13237



HCD-500B



HCD-1000B