



Model: **16-332L** Item #: \_\_\_\_\_ Date: \_\_\_\_\_  
 Project: \_\_\_\_\_ Qty: \_\_\_\_\_ Approved By: \_\_\_\_\_

# Single Lever Deck Mount Remote Valve with Remote Spout

Royal Series Plumbing



16-332L

Model	Description
16-332L	Single Lever Deck Mount Remote Valve with 8" Remote Swing Spout, 1.8 GPM

## Product Compliance

- NSF-61 & NSF/ANSI 372
- ASME A112.18.1-2011/CSA B125.1-11 & NSF/ANSI 372
- Meets ANSI A117.1 (ADA)
- Massachusetts Approved
- CEC Approved

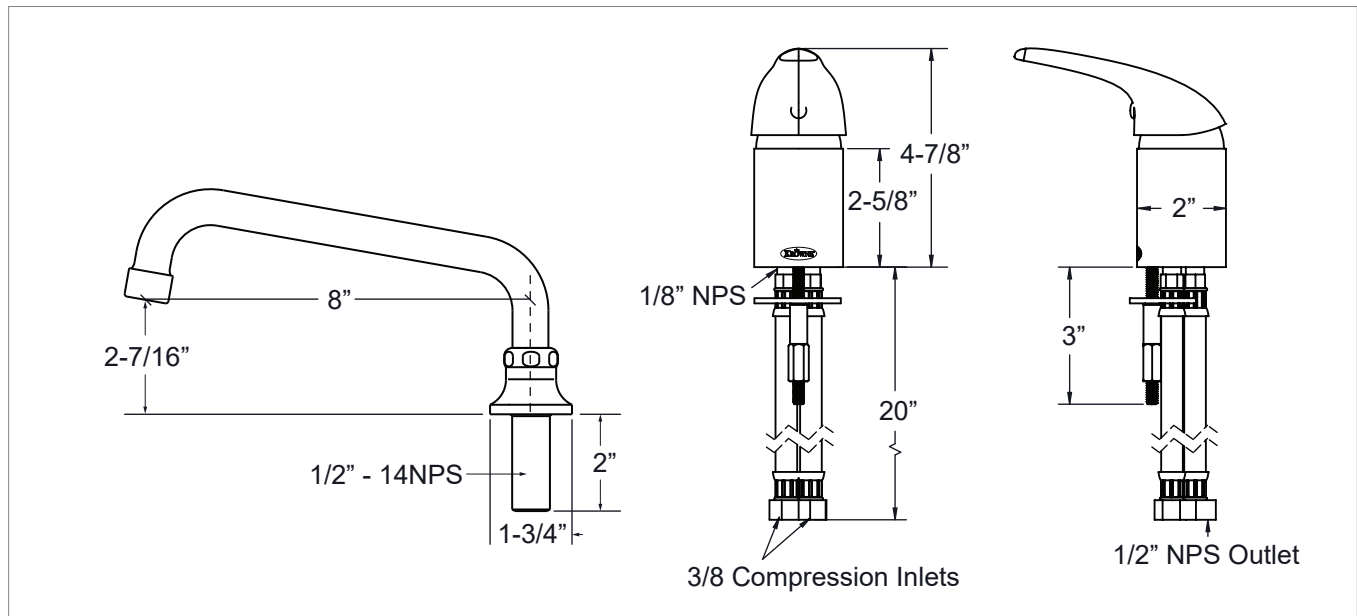


## Standard Features

- Deck mounted control base with 1/2" NPS female outlet
- Durable full range remote spout with double o-ring construction
- Ceramic cartridge valve with built-in temperature limit stop
- Pre-installed water lines with 3/8" compression female inlets
- Single lever handle with color coded index

## Specifications

Control Base Water Inlet	3/8" Compression Inlets
Control Base Water Outlet	1/2" NPS Female
Remote Spout Water Inlet	1/2" NPS Male
Mounting Style	Deck Mount
Centers	Single Hole
Spout	8" Swing
Control Base Rough In	1-1/2" Round Hole
Remote Spout Rough In	7/8" Round Hole
Temperature Range	40°F - 180°F
Pressure	20 - 120 PSI
Flow Rate	1.8 GPM
Material	Solid Brass
Finish	Chrome Plated Finish
Weight	5 lbs.



### WARNING:

Plumbing connections should be made by qualified personnel who will observe all applicable plumbing, sanitary and safety codes.

### California Prop 65 Warning:

This product can expose you to chemicals including lead and lead compounds, which are known to the State of California to cause cancer and birth defects or other reproductive harm. For more information go to [www.P65Warnings.ca.gov](http://www.P65Warnings.ca.gov).