



## Features

### **Eco-Friendly Refrigerant**

R290 refrigerant with a global warming potential (GWP) of 3

### **Cabinet Capacity**

Internal area of 12.99ft<sup>3</sup> with two (2) heavy-gauge wire shelves — adjustable in 1/2" increments using stainless steel pilasters

### **Easy to Clean**

Aluminum interior with coved corners and finished edges, removable shelf, plus a top compartment crumb tray

### **Magnetic 'Thermo Rubber' Gaskets**

Heavy-duty, stainless steel doors with magnetic Thermo Rubber gaskets ensure an airtight cabinet

### **Heavy-Duty Soft Casters**

Secured to a 12-gauge steel base to ensure years of worry-free operation

### **Elevated Refrigerated Rail**

Raise key ingredients closer to the crew for easy access — holds up to seven (7) 3-1/2 quart food jars

### **High-Efficiency Refrigeration System**

Forced air circulation provides a uniform temperature throughout the cabinet

### **Refrigerated Countertop Compartment**

Keep key ingredients always within reach — holds up to ??? food jars or pans with pan adapters included

### **High-Strength Doors**

Heavy-duty, stainless steel doors assembled using high-load brackets for long-lasting durability

### **Stainless Steel Exterior**

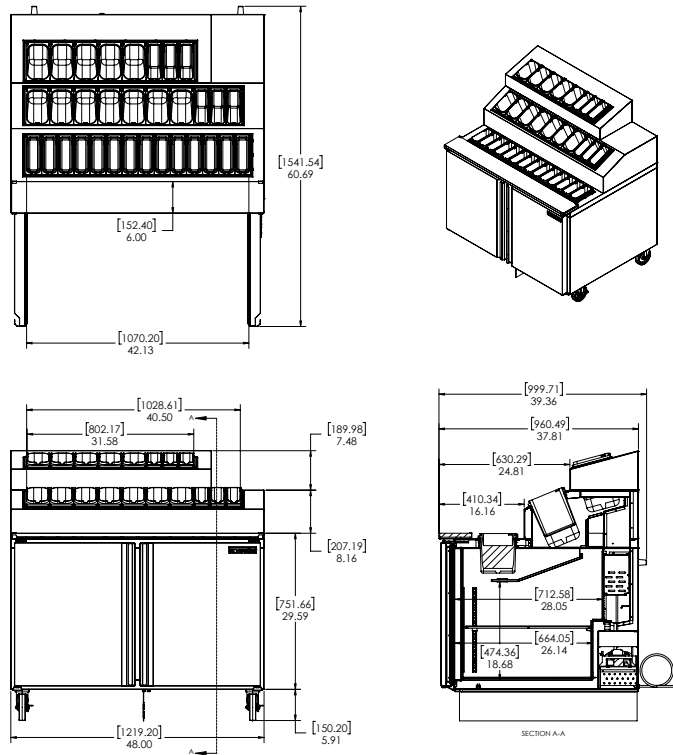
Galvanized back and bottom reduces the risk of corrosion

### **High-Density Insulation**

Foamed-in-place, CFC-free polyurethane insulation for maximum strength, rigidity, and insulation

### **Cutting Board**

Removable 6" polyethylene cutting board provides a large durable work surface



## Technical Specifications

|                                  |  |
|----------------------------------|--|
| <b>Electrical Requirements</b>   | 115v/60hz/1ph/4.4A/NEMA 5-15P Plug                         |
| <b>Product Dimensions</b>        | 48"W x 44.79"H x 33.7"D<br>(121.92cm x 113.77cm x 85.60cm) |
| <b>Product Weight</b>            | 295lbs<br>(133.81kg)                                       |
| <b>Shipping Dimensions</b>       | 53"W x 47"H x 34"D<br>(134.62cm x 119.38cm x 86.36cm)      |
| <b>Shipping Weight</b>           | 325lbs<br>(147.42kg)                                       |
| <b>Shipping Cubic Dimensions</b> | 47.97ft <sup>3</sup><br>(1.36m <sup>3</sup> )              |
| <b>Temperature Range</b>         | 36 to 40<br>(2.2 to 4.4°C)                                 |
| <b>Refrigerant</b>               | R290   |
| <b>Insulation</b>                | Foamed-in-place, CFC-free polyurethane                     |

|                              |   |
|------------------------------|---|
| <b>Exterior Construction</b> | Stainless steel exterior with galvanized back and bottom  |
| <b>Interior Construction</b> | Aluminum interior with covered corners and finished edges |
| <b>Doors</b>                 | Two doors, one (1) left-hand and one (1) right-hand swing |
| <b>Internal Capacity</b>     | 12.99ft <sup>3</sup>                                      |
| <b>Rail Temperature</b>      | 36 to 40°F  |
| <b>Door Gasket</b>           | Santoprene™   |
| <b>Shelves</b>               | Two (2) heavy-gauge wire shelves, removeable              |
| <b>Casters</b>               | Four (4) 5" heavy-duty soft casters, two (2) locking      |
| <b>Certifications</b>        | ETL Safety, ETL Sanitation                                |
| <b>Warranty</b>              | 1-year parts and labor, 5-year compressor (part only)     |

| Model Number | Description  |
|--------------|--|
| SKRN48-ESUS1 | Fountainette, 48", 115v/60hz/1ph, two doors, 6" cutting board, 5" heavy-duty casters (two locking), NEMA 5-15P |

To learn more about **Silver King Refrigerator**, visit [silverking.com](http://silverking.com)