

Champion®

The Dishwashing Machine Specialists

PROJECT: _____

ITEM # _____ QTY: _____

MODEL # _____

AIA # _____ SIS # _____

UH 130B

UNDERCOUNTER HIGH TEMPERATURE



Rendered image is for general visual representation only. Please refer to specifications for the latest detailed product information.

OPTIONS & ACCESSORIES

- Additional Dish Racks
 - Peg
 - Flat
- 17" Stand Stainless Steel
- 8" Leg Stand
- 3 Phase Connection (prewired at factory)
- 9 kW High Speed Rise Booster**
- 1" Roller Kit available (includes 4 casters)
- Power Cord Kit
- NEW Champion ION scale prevention system
- Drain water tempering kit (unmounted)
- Chemical alarm kit (mounted)

STANDARD FEATURES

- **Shear Energy**
a reduction in energy requirements while maximizing performance!
- **Multi-Power includes "Multi-Volt" and "Multi-Phase"** Allows for infield conversion to 208-240 volt and/or single to three phase with ease
- **StemSure™**
Soft start to protect glasses and dishes from chipping and breaking
- **Wash Refresh™**
Automatically drains the water for the next cycle, ensuring heavily soiled items are always sanitized with new wash water
- **Rinse Sentry**
extends the cycle time to ensure 180°F final rinse.
- **Built-In Electric Booster For 180°F Final Rinse Water (70°F/21°C Rise)**
- **316 Stainless Steel Tank**
for improved corrosion resistance, an industry exclusive, all 130, 230 and 330 tanks are stainless steel
- **Soft Start**
- **Pumped Drain**
- **Door Safety Switch**
- **Low-Water Tank Heat Protection**
- **Detergent And Rinse Aid Pumps**
- **Quiet Double-Wall Construction**
- **15-3/4" Door Opening To Accept Larger Wares, Including Trays**
- **Stainless Steel Top And Side Panels**
- **142 Second Cycle**
- **Wash Pump, 1 HP Motor**
- **Prime Switch On Control Panel**
- **Delime Button**
- **Automatic Tank Fill**
- **Advanced Digital Temperature Monitoring**

SPECIFIER STATEMENT

Specified unit will be Champion model UH130B undercounter high temperature dishwashing machine with built-in booster heater. Features 142 second total cycle, Rinse Sentry, detergent and rinse aid pump, stainless steel top and side panels. Constructed of stainless steel.

1 year parts and labor warranty.

Note: Vent hood is not recommended, as unit does not produce excessive steam.

Note: Always follow local building code guidelines.



UNDERCOUNTER HIGH TEMPERATURE

In the USA:
3765 Champion Blvd, Winston-Salem, NC 27105
Tel: (336) 661-1556 Fax: (336) 661-1979
www.championindustries.com

In Canada:
2674 N. Service Rd., Jordan Station, Ontario, Canada LORISO
Tel: (905) 562-4195 Fax: (905) 562-4618
www.championindustries.com/icanada

SPECIFICATIONS

Capacities*

| | |
|----------------------|-----|
| Racks per hr. | 25 |
| Cycle time (seconds) | 142 |

Motor Horsepower

| | |
|------|---|
| Wash | 1 |
|------|---|

Water Consumption

| | |
|--|---------|
| U.S. Gal./Imperial Gal. (Max. use) per hr. | 38/31.7 |
|--|---------|

| | |
|----------------------------------|---------|
| U.S. Gal./Imperial Gal. per rack | 1.8/1.5 |
|----------------------------------|---------|

Temperature °F/°C

| | |
|-------|--------|
| Wash | 150/66 |
| Rinse | 180/82 |

Heating

| | |
|---|-----|
| Tank heat, electric, (kW) | 2.0 |
| Electric booster (kW) required for 70°F/39°C rise | 6 |
| Electric high speed (kW) booster for 100°F rise | 9 |

Time Cycle in seconds

| | |
|-------------|-----|
| Wash | 90 |
| Rinse | 25 |
| Drain/fill | 27 |
| Total cycle | 142 |

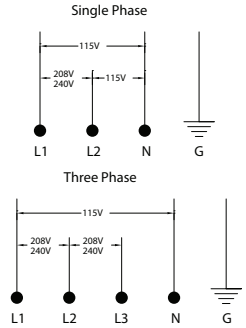
Standard 20" x 20" Rack Complement

| | |
|------|---|
| Dish | 1 |
| Open | 1 |

* at 140°F incoming water

| UH130B with 70°F/39°C Rise Booster, 6kW | | | |
|---|------------|--|---------------------------------------|
| Elec. Specs | Rated Amps | Minimum Supply Ckt. Conductor Ampacity | Maximum Overcurrent Protective Device |
| 208/60/1 | 32 | 40 | 40 |
| 240/60/1 | 36 | 40 | 40 |
| 208/60/3 | 22 | 30 | 30 |
| 240/60/3 | 24 | 30 | 30 |

| UH130B with 9kW High Speed Rise Booster | | | |
|---|------------|--|---------------------------------------|
| Elec. Specs | Rated Amps | Minimum Supply Ckt. Conductor Ampacity | Maximum Overcurrent Protective Device |
| 208/60/1 | 45 | 60 | 60 |
| 240/60/1 | 50 | 60 | 60 |
| 208/60/3 | 29 | 35 | 35 |
| 240/60/3 | 33 | 40 | 40 |

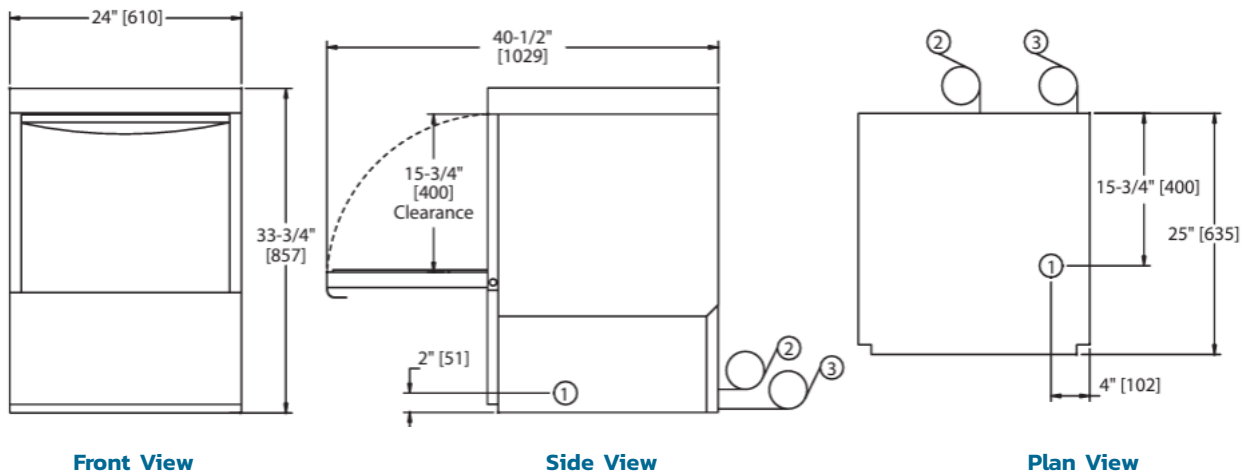


Utilities

- Electrical**
208-240/60/1; 3 wire plus ground, (See box).
208-240/60/3; 4 wire plus ground, (See box).
Field convertible to accept 3 phase power, see service manual for details
- Hot Water**
1/2" supply; 110°F/43°C Min. hot water connection for 70°F/39°C rise booster.
Machine equipped with 3/4" garden hose connection provided. Flow pressure: 25-95 psi.
- Pumped Drain**
5/8" [15.9] I.D. flexible reinforced hose, 6 ft [1829] long.
Max. drain ow 15 US gpm. [125 imp gal] Max. drain height 3 ft. [914]

Complies with ANSI/ASSE 1440 Sections 1.4.3 & 1.4.4

Warning: Plumbing, electrical connections should be made by qualified personnel who will observe all the applicable plumbing, sanitary and safety codes and the National Electrical Code.



In the USA: 3765 Champion Blvd, Winston-Salem, NC 27105 | Tel: (336) 661-1556 Fax: (336) 661-1979 | www.championindustries.com
 In Canada: 2674 N. Service Rd., Jordan Station, Ontario, Canada LORISO | Tel: (905) 562-4195 Fax: (905) 562-4618 | www.championindustries.com/1canada

Rev. 11/2024 Printed in U.S.A. Due to an ongoing value analysis program at Champion, specifications contained in this catalog are subject to change without notice.