

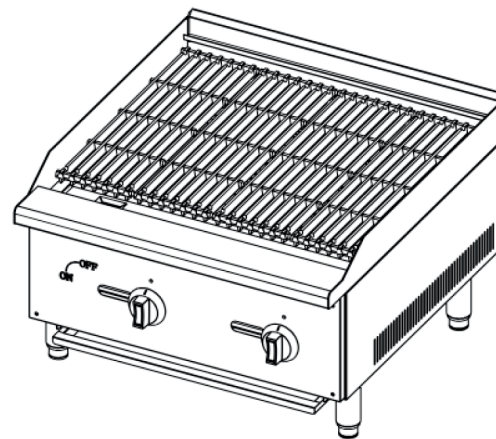
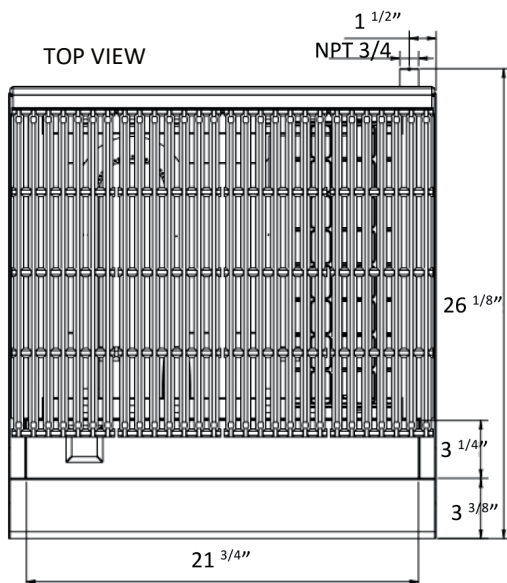
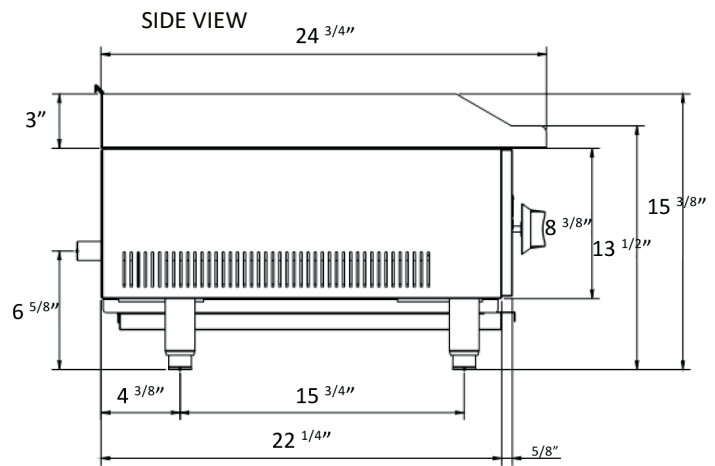
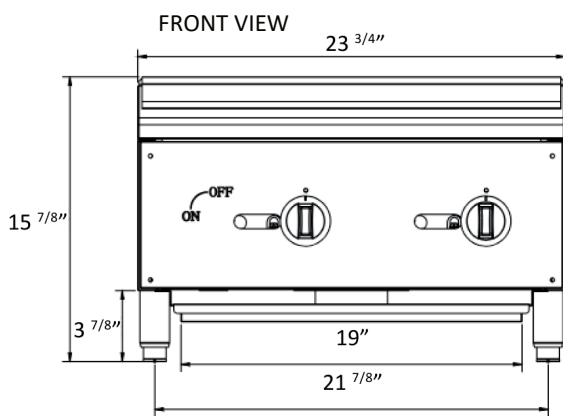




### Technical Data

Heating Source	Radiant
Installation Type	Countertop
Number of Burners	2 Burners
Number of Controls	2
Power Type	Natural Gas
Total BTU	60000 BTU
Usage	Medium Duty

### Plan View





## Notes & Details

### Gas Countertop Charbroilers.

Introducing our U-shape steel burner, meticulously engineered to deliver powerful performance for your culinary needs. Each burner boasts an impressive output of 30,000 BTU/hr, providing consistent heat for precision cooking. Designed with convenience in mind, the burner is controlled every 12 inches for optimal regulation. With a standby pilot feature, ignition is effortless, ensuring a seamless start every time.

Crafted for durability, the burner features stainless steel adjustable heavy-duty legs for stability and longevity. The zinc alloy knob with chrome coating offers a sleek and ergonomic control interface. A large oil collector at the bottom ensures easy cleanup and maintenance, while the ability to effortlessly convert between natural gas and propane makes it adaptable to your needs.

Combining functionality with aesthetics, the burner showcases a stainless steel front panel, complemented by galvanized sides and back for enhanced resilience. Available in a range of sizes including 16", 24", 36", 48", and 60", this burner accommodates various cooking setups.

Completing the design, a robust cast iron grate provides a sturdy cooking surface, while manual control allows for precise adjustments to suit your cooking preferences. Elevate your culinary experience with our versatile and reliable U-shape steel burner.

**Instructions and images in this manual are only for reference and may differ from the actual product. Launch the E-Manual.**