

Champion®

The Dishwashing Machine Specialists

Project _____
Item No. _____
Quantity _____

STANDARD FEATURES

- Compact, flexible design to fit high volume operations
- Quality stainless steel construction
- Fully-automatic operation
- Great solution for turning corners at unload
- Sloped drain
- Wires directly to Champion dishmachine
- No need for separate electrical connection



PRO-90B 90° UNLOAD TABLE

POWERED BY BI-LINE

Powered Unloader for Champion PRO Series
Rack Conveyor Dishmachines



PRO-90B
90° Corner Conveyor Table
(PRO Series rack machines only)

Photo is for general visual representation only. Please refer to specifications for the latest detailed product information.



SPECIFIER STATEMENT

Specified unit will be Champion Model PRO-90B 90° unload table designed to be mounted to Champion rack conveyor dishmachines only. 1 year parts and labor warranty.



Champion Industries, Inc.
3765 Champion Blvd., Winston-Salem, NC 27105
Tel: 800/532-8591 Fax: 336/661-1979
www.championindustries.com

PRO-90B

90° UNLOAD TABLE

POWERED BY BI-LINE

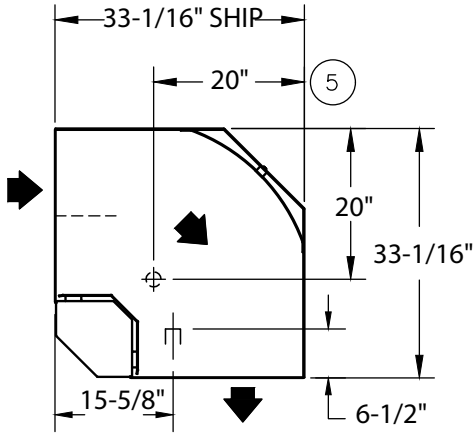
Powered Unloader for Champion PRO Series
 Rack Conveyor Dishmachines

Champion®

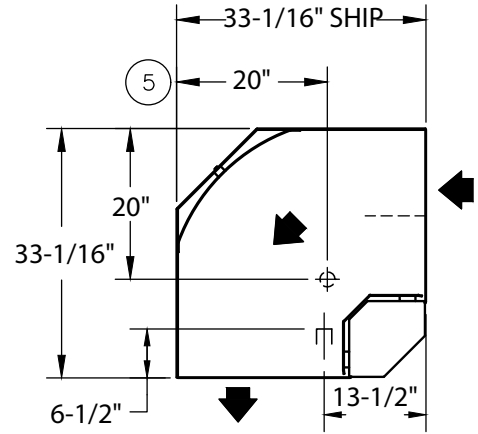
The Dishwashing Machine Specialists

PRO-90B

90° Corner Conveyor Table
 (PRO Series rack machines only)

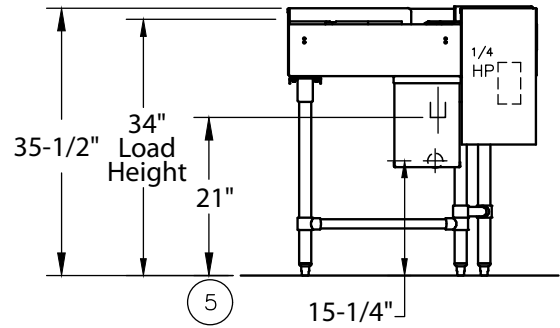
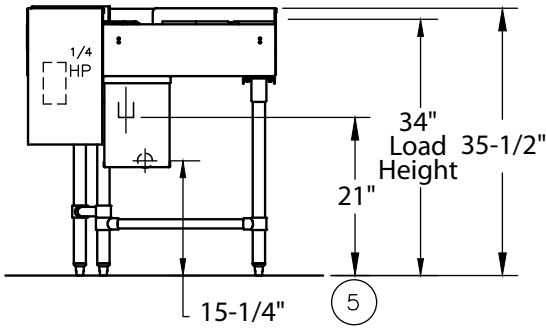


PRO-90B Left to Right

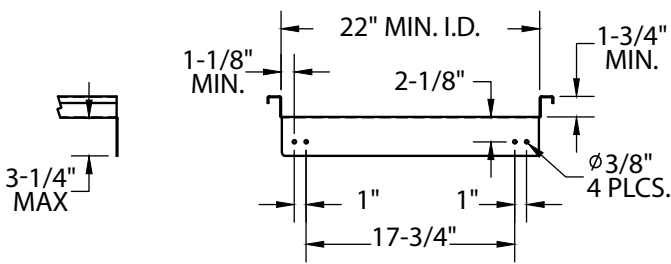


PRO-90B Right to Left

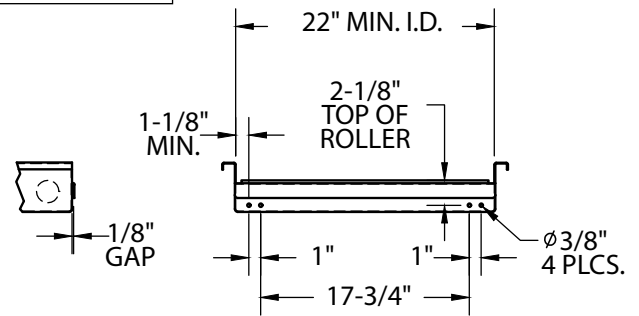
PRO-90B
 Shipping weight: **300 lbs.**
 Volume crated: **107 cu. ft.**



Drain Size (5): 1-1/2" O.D. slip fit drain



Typical Unload Table Connection to PRO-90B
 (Flat Top Style Table)



Typical Unload Table Connection to PRO-90B
 Roller Style Table (recommended)

Due to an ongoing value analysis program at Champion, specifications contained in this catalog are subject to change without notice.

Champion Industries, Inc.,
 3765 Champion Blvd., NC 27105
 336/661-1556 • Fax: 336/661-1979
 ChampionIndustries.com