



DRIP TRAY

WALL MOUNT 16" WITH 4 HOLES

- Robust 18 gauge stainless steel construction
- Easy installation: beverage shanks mount through and secure tray to wall
- Welded corners, finished smooth for safety and appearance

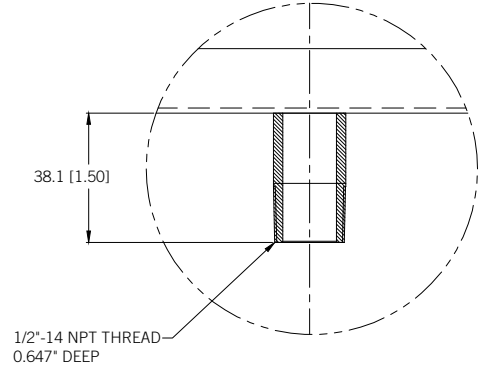
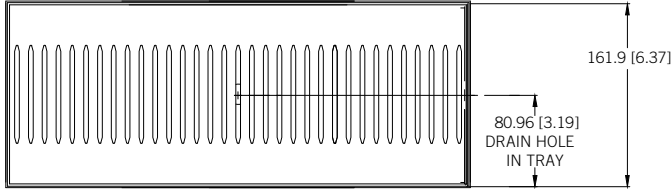


DP-322LD-4

Brushed Stainless Steel

Part No.	Dimensions	Description	Shipping Weight
 DP-322LD-4	16" Width	Brushed Stainless Steel / 4 Holes	TBD

Dimensions



DETAIL "A" DRAIN
FULL SCALE

