

GF DAKOTA

Hard cheese and bread grater



GF DAKOTA

- Reliable light / medium-duty hard cheese grater
- Ideal for on-demand operations
- Up to 2 Lbs. per minute output
- Easy to clean
- Handle safety interlock

Features

Technical:

- The drum is made from stainless steel for longer lasting performance and always perfectly grated product output
- Gear driven
- 1/16" tooth for very finely grated product
- Powerful air-cooled motor for high performance and continuous use

Safety:

- An interlock prevents the machine from starting when the handle is not lowered enough and stops the machine when the handle is lifted

Specifications

Construction:

ABS shock-proof sides, anodized aluminum body, polished aluminum hopper, stainless steel drum

Motor:

1 Hp (750 W)

Electrical:

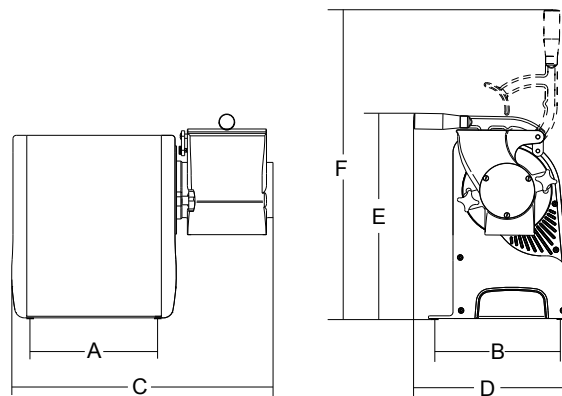
120V AC, 60Hz

Plug & Cord:

Attached plug, flexible, 3 wire SJT 16 AWG, 6" long cord.
NEMA 5-15 P

Controls:

Rocker thermal circuit breaker with undervoltage.



	Power	Power source	Drum revolutions	Mouth dimensions	A	B	C	D	E	F	Net weight	Shipping	Gross weight
	watt/Hp		r.p.m.	inch.	inch.	inch.	inch.	inch.	inch.	inch.	lbs.	inch.	lbs.
GF DAKOTA	750/1	120V AC, 60Hz	1400	5 ^{33/64} " x 3 ^{5/32} "	8 ^{55/64} "	8 ^{15/32} "	19 ^{11/16} "	11 ^{13/16} "	15 ^{3/4} "	22 ^{54/64} "	48	24" x 20" x 20"	54