



**AMERICAN EAGLE**<sup>®</sup>  
**FOOD MACHINERY, INC.**

**AE-DS650ZD-SS/  
 AE-650B/AE-520B-SS**  
**Premium Series Stainless  
 Steel Floor Type Sheeters**

773.376.0800 (P) • 773.376.2010 (F) • 3131 S. Canal St. Chicago, IL 60616

**AE-DS650B-SS  
 Shown**

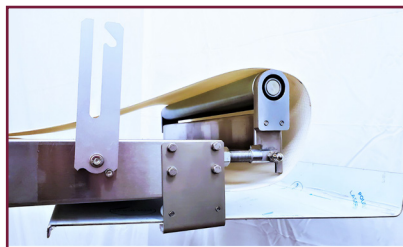


**Fully Automated Model Available!**

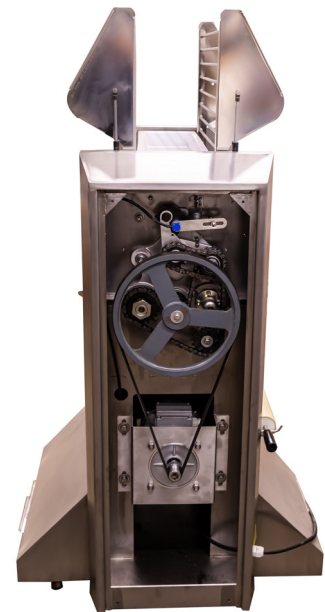
**Premium 100% Stainless Steel Build**  
**Inverter Technology Powers Reliable  
 3-Phase Motor From Common  
 220V/1-Phase Electricity**

## Quality Design

- Powerful 1.5HP 3-Phase Motor With Power Inverter Technology
- Quiet and Durable Belt Transmission and Chain Driven Conveyor Rollers
- Easy-to-Remove Scrapers and Removable Working Tables for Ease of Cleaning, Storage and Conveyor Belt Replacement
- Reversible Belts With Sync Drive (Output Conveyor Faster Than Input)
- Ergonomic One-Handed Conveyor Controls and Hands-Free Foot Pedals
- Dual Pin Locking Handle Rail and Digital Readout For Precise Pressing Roller Height Adjustment



**Easy To Remove  
 Scrapers For  
 Daily Cleaning!**



**Pop-Up Conveyor Rollers, Large  
 Access Panels, and Removable  
 Working Tables Allow Easy  
 Cleaning and Maintenance**

## Standard Features

- OSHA Compliant Soft-Close (Gas-Strut Mounted) Safety Guard Auto-Shutoffs When Opened
- Time-Saving Dough Transfer Roller
- Emergency Stop and Power Override
- Dual Retractable Dough Trays On Each Side
- Heavy Duty 6 ft 3-Wire Power Cord
- 1 Year Limited Warranty

**Fully Automated  
 Model Has  
 Programmable  
 Recipes, Sensor  
 Controlled Rollers  
 and Flour Release**



Proud Member of:  
  
 North American Association of  
 Food Equipment Manufacturers

**Quality • Value • Reliability**



**AMERICAN EAGLE**<sup>®</sup>  
**FOOD MACHINERY, INC.**

**AE-DS650ZD-SS/  
 AE-650B/AE-520B-SS**  
**Premium Series Stainless  
 Steel Floor Type Sheeters**

sales@ameagle.biz • www.americaneaglemachine.com

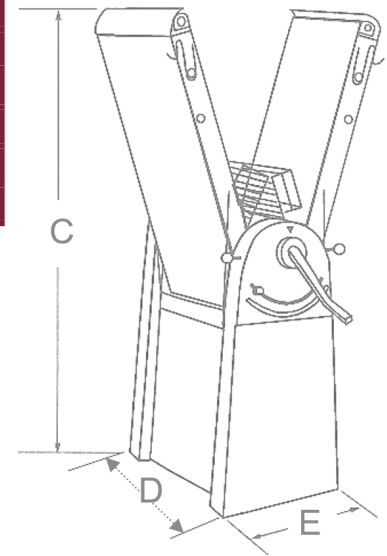
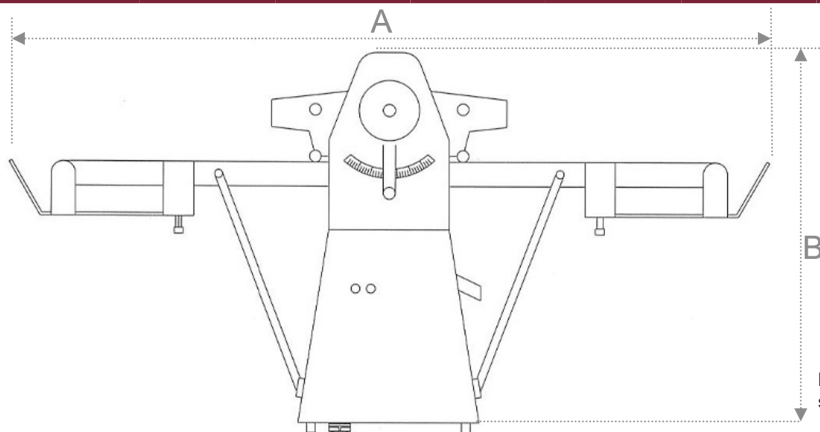
**Our Premium Series Stainless Steel Dough Sheeters Help Achieve Consistent Results While Saving Time, Labor, and Training Costs! Easy To Use Manual Models or Fully Automatic Programmable Model Available.**

**Specifications**

Model	Working Mode	Motor	Input Power V/HZ/PH	Pressing Roller Size	Adjustable Thickness	Roller Control	Foot Pedal	Max Dough Batch**	Working Surface
AE-DS520B-SS	Manual	1.5 HP	220/60/1	3.5" Dia x 20" L (9cm x 50.5cm)	.00" to 1.96" 0mm-50mm	Locking Rail	Yes	12 lbs	19.75" x 82" 50cm x 208cm
AE-DS650B-SS	Manual	1.5 HP	220/60/1	3.5" Dia x 25.75" L (9cm x 65.5cm)	.00" to 1.96" 0mm-50mm	Locking Rail	Yes	15 lbs	25.6" x 110" 65cm x 279cm
AE-DS650ZD-SS	Full Auto	1.5 HP	220/60/1	3.5" Dia x 25.75" L (9cm x 65.5cm)	.00" to 1.96" 0mm-50mm	Motorized	No	18 lbs	25.6" x 144.5" 65cm x 367cm

**Measurements**

Dimension	AE-DS520B-SS		AE-DS650B-SS		AE-DS650ZD-SS	
A	82.5 in	210 cm	110.5 in	281 cm	148 in	376 cm
B	49 in	125 cm	49 in	125 cm	59 in	150 cm
C	67 in	170 cm	70 in	178 cm	63 in	160 cm
D	33.5 in	85 cm	40 in	102 cm	44 in	112 cm
E	34 in	86 cm	36 in	91 cm	34 in	86 cm



Line drawings are for reference only. Current safety guard, switches, or controls may vary in design or cosmetic appearance

**Dimensions and Shipping Information**

Model	Overall Dimensions***	Shipping Dimensions****	Net Weight	Ship Weight	Freight Class
AE-DS520B-SS	83" L x 38" W x 50" H	55" L x 42" W x 59" H	705 lbs (320 kg)	816 lbs (370 kg)	85
AE-DS650B-SS	111" L x 44.5" W x 50" H	60" L x 42" W x 65" H	772 lbs (350 kg)	893 lbs (405 kg)	85
AE-DS650ZD-SS	149" L x 45" W x 60" H	#1: 55"L x 42" W x 70" H #2: 85" L x 34" W x 24" H	816 lbs (370 kg)	#1: 728 lbs (330kg) #2: 276 lbs (125kg)	85

\*Warranty must be registered. Improper electrical connection voids warranty. Ensure supplied power matches specification on nameplate

\*\*Weights are approximate and assume AR of 60% for typical bread dough, adjust load accordingly, overloading voids warranty

\*\*\*Measurement after full assembly and with trays stored, extending the dough catch trays will add approximately 10-12" length on each side

\*\*\*\*Crates are affixed to a skid (pallet). The weight and dimensions of this skid are included and may vary from shipment to shipment.



**Quality • Value • Reliability**