



FOOD EQUIPMENT

SERVING THE FOOD INDUSTRY SINCE 1951

ELECTRIC MEAT TENDERIZER

Item: 17847

Model: MT-BR-0400

Omcan's Electric Meat tenderizer is designed for both commercial and residential use. It equipped with a safety switch that will turn off the machine as soon as its cover is lifted. This heavy-duty counter top tenderizer is suitable for process refrigerated(unfrozen) beef or cattle that is free from bone, skin, nerves, tendons and cartilage as possible. The tenderizer is manufactured of polished aluminum, stainless steel and long life food grade plastic materials.



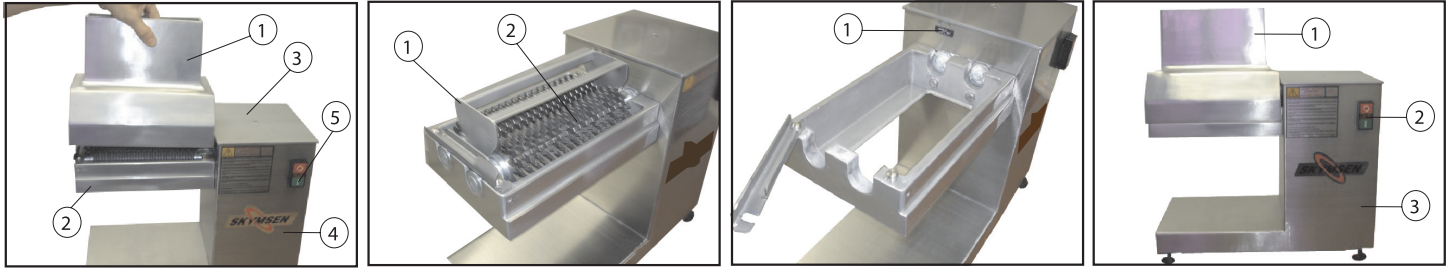
Authorized Dealer

NEMA
5 - 15
125 VAC / 15 AMP



FOOD EQUIPMENT

ELECTRIC MEAT TENDERIZER

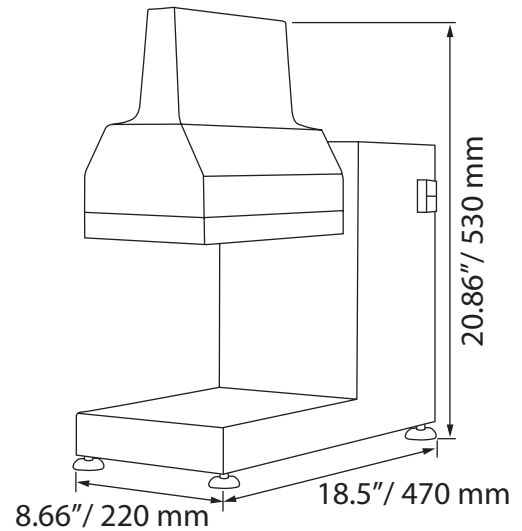


1. Protection lid 2. Rollers support 3. Motor cabinet cover 4. Motor Cabinet 5. On/Off switch

TECHNICAL SPECIFICATION

ITEM NUMBER	17847
MODEL	MT-BR-0400
POWER	0.5 HP / 0.37 kW
AVERAGE PRODUCTION	400 kg/h
CONSUMPTION	0.37 kw/h
OIL CAPACITY	250 ml
MEAT SIZE	Up to 8" / 200 mm long x 0.8" / 20 mm thick
ELECTRICAL	110V/60Hz/1
NET WEIGHT	59.4 lbs.
GROSS WEIGHT	83 lbs
NET DIMENSIONS (WDH)	8.66" x 18.5" x 20.86" / 220 x 470 x 530 mm
GROSS DIMENSIONS	40" x 24" x 29" / 1016 x 610 x 737 mm

TECHNICAL DRAWING WITH DIMENSIONS



Related Accessories:



Item: 45410
10 MM KIT TO SLICE MEAT
- Heavy duty



Item: 45411
12 MM KIT TO SLICE MEAT
- Heavy duty

OMCAN INC.

Telephone: 1-800-465-0234

Fax: (905) 607-0234

E-mail: sales@omcan.com

Website: www.omcan.com



Follow us to keep up to date with the latest news and offers

