

Round Fry Basket

- Nickel-plated metal construction with front hook
- Reinforced base for enhanced durability
- Compatible with C.A.C. fry pot/saucepan

1/8" Mesh Basket

Item	Size
FBR8-008	8-1/2" x 5-1/8"
FBR8-009	9-1/2" x 5-1/8"
FBR8-011	11-1/2" x 5-7/8"

1/4" Mesh Basket

Item	Size
FBR4-8	8-1/2" x 5-1/8"
FBR4-9	9-1/2" x 5-1/8"
FBR4-11	11-1/2" x 6"

UOM	Case	Compatible Pot/Pan
Each	20	A9SA-3-5
Each	20	A9SA-3-7
Each	20	A9SA-3-10



FBR8-008



FBR4-8



Check more C.A.C. cookware on page 86.

Culinary/Breading Basket

- Metal construction with non-stick coating for a fast, clean and efficient breading and battering process
- Reinforced base for enhanced durability
- Versatile functions ideal for battering, breading, boiling, frying, blanching, straining, skimming and more
- Easy to maintain and clean

Fine Mesh Basket

Item
CBKR-8F
CBKR-10F
CBKR-12F

Medium Mesh Basket

Item
CBKR-8M
CBKR-10M
CBKR-12M

Coarse Mesh Basket

Item	Description	UOM	Case
CBKR-8C	8" Dia	Each	12/36
CBKR-10C	10" Dia	Each	12/36
CBKR-12C	12" Dia	Each	30



CBKR-10F



CBKR-10M



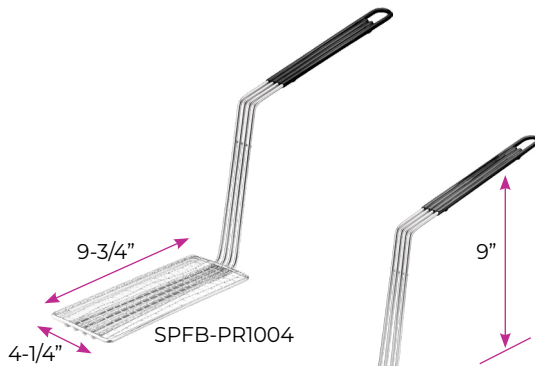
CBKR-10C

Fry Basket Press

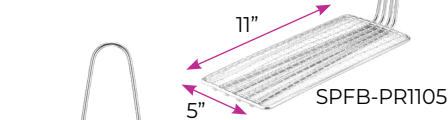
- Keeps foods under the oil to ensure even frying
- Durable nickel-plated wire design
- 11" long heat-resistant coated handle for safe and secure grip
- Fits C.A.C. Fry Basket SPFB Series
- BPA free



Item	Description	Fits	UOM	Case
SPFB-PR1004	9-3/4" x 4-1/4" Press Face 9"H	SPFB-2, SPFB-3, SPFB-4	Each	20
SPFB-PR1105	11" x 5" Press Face 9"H	SPFB-5, SPFB-6	Each	20



SPFB-PR1004



SPFB-PR1105

Fry Basket Divider

- Creates multiple sections in a fryer basket for easily frying small portions
- Sturdy nickel-plated wire design
- Removable handle for easy cleaning
- Fits C.A.C. Fry Basket SPFB Series

Item	Description	Fits	UOM	Case
SPFB-DV	7-1/4"W x 8-5/8"H	SPFB-2, SPFB-4, SPFB-5	Each	12/72



SPFB-DV