



# K-53 12" SWING SPOUT DECK MOUNT FAUCET

Conforms To NSF 61/9 Lead Free Requirements

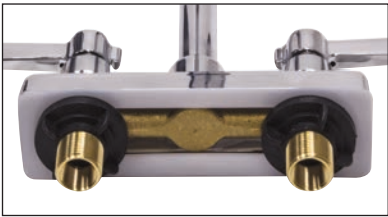


FAUCET AERATOR CONFORM TO  
ASTM.A112.18.1M • 1.0 GPM/3.8 LP  
THREAD: 55/64 - 27 FEMALE

Item #: \_\_\_\_\_ Qty #: \_\_\_\_\_

Model #: \_\_\_\_\_

Project #: \_\_\_\_\_



**BOTTOM VIEW**  
1/2" NPS (OUTSIDE THREAD)  
3/8" NPT (INSIDE THREAD)

### FEATURES:

- 12" swing spout.
- 4" O.C. water supply.
- Quarter-turn wedge style handles.
- Colored hot & cold Indexes.
- 1.0 GPM/3.8 LPM Aerator. 60 PSI.

### MATERIAL:

- Brass chrome plated body & spout.
- Chrome plated handles.



**Click This Link To View Assembly Sheet**

## Options & Accessories

### Replacement Spout For K-53 Faucet

12" Swing Spout Only.

**K-53SP**



### Low Flow Aerator

.5 GPM

**K-08**



### Faucet Repair Kit\*

**K-00B (Set of 2)**

Includes 2 Cartridges and 2 Handles With Red & Blue Indexes



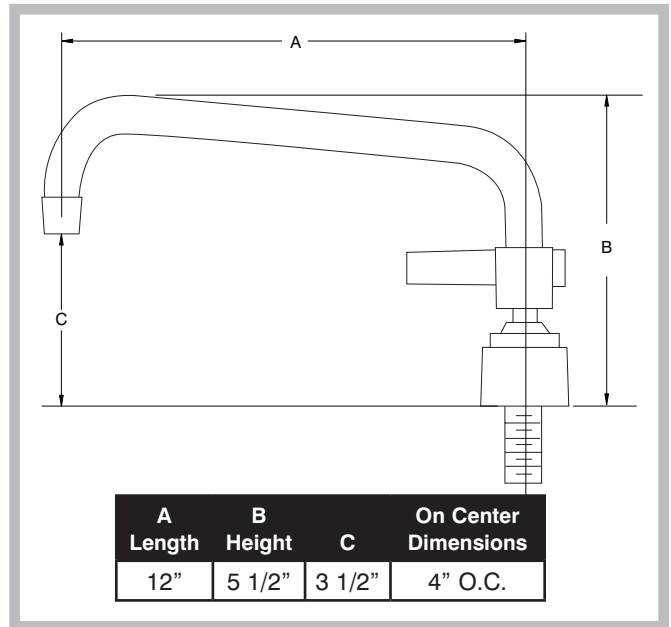
### Wrist Handles\*

**K-316-LU (Set of 2)**



\*Can Only Be Used On Faucets Purchased After January 2016. For Older Faucets, Consult Customer Service.

## DIMENSIONS and SPECIFICATIONS



### **WARNING:**

Faucet(s) on this page may expose you to chemicals, including lead, that are known to the State of California to cause cancer or birth defects or other reproductive harm. For more info., visit [www.p65warnings.ca.gov](http://www.p65warnings.ca.gov).



Customer Service Available To Assist You **1-800-645-3166** 8:30 am - 7:00 pm E.S.T.

For Orders & Customer Service:

Email: [customer@advancetabco.com](mailto:customer@advancetabco.com) or Fax: 631-242-6900

For Smart Fabrication™ Quotes:

Email: [smartfab@advancetabco.com](mailto:smartfab@advancetabco.com) or Fax: 631-586-2933