

Deck Ovens - Electric (1, 2, 3 and 4 Pan)

Series SE-900



SE-934 Shown



Meets UL 197 and NSF 4 Standards

Short Bid Specification:

Appliance shall be an **LBC Bakery Equipment Model SE-9XY** (for X, insert 1, 2, 3 or 4 to indicate pan capacity per deck; for Y, insert 1, 2, 3 or 4 to indicate number of decks) electrically heated deck oven. Ovens will hold 18" x 26" sheet pans accordingly and shall have stainless steel exterior construction, full-view tempered glass doors that open up and in, interior lighting, 5/8" glass fiber concrete hearth stone(s), tubular heating elements, independently heated steamer, maximum set point of 550 deg F, proportionally controlled and independent top and bottom heat, 99 minute timer and a buzzer to indicate preheat and timer have elapsed, plus all the features listed.

Standard Product Warranty:

One Year Parts and Labor (Contiguous US, Alaska, Hawaii & Canada)

Maximum Capacities per Oven Model:

Model		18" x 26" Sheet Pans	26" Baguettes	9" Pies
1 Pan Ovens	SE-911	1	5	6
	SE-912	2	10	12
	SE-913	3	15	18
	SE-914	4	20	24
2 Pan Ovens	SE-921	2	10	12
	SE-922	4	20	24
	SE-923	6	30	36
3 Pan Ovens	SE-931	3	15	18
	SE-932	6	30	36
	SE-933	9	45	54
4 Pan Ovens	SE-941	4	20	24
	SE-942	8	40	48
	SE-943	12	60	72
	SE-944	16	80	96

Construction Features:

- Heavy-duty stainless steel exterior
- Removable 5/8" glass fiber concrete hearth stone(s)
- Stackable up to 4 decks
- Swivel casters with leveling feet
- Full-view tempered glass door(s)
- Bright xenon interior lighting

Performance Features:

- 550 deg F temperature maximum
- Robust, individually-controlled steam system with manual damper supplied with every deck
- Complete steamer recovery within 20 min or less
- Tubular elements for rapid heating
- Independently controlled top and bottom heat
- Loading doors open inward for safety and to retain heat and steam

Control Features:

- Intuitive layout
- Large digital displays for set point, actual temp, and time
- Separate controls for each deck
- Top and bottom heat adjustment per deck
- 99 programmable recipes
- Three Quick Select buttons to access most-used recipes
- 99 minute timer
- Temperature displays in deg F or deg C

Deck Ovens - Electric (1, 2, 3 and 4 Pan)

Series SE-900

Installation Requirements:

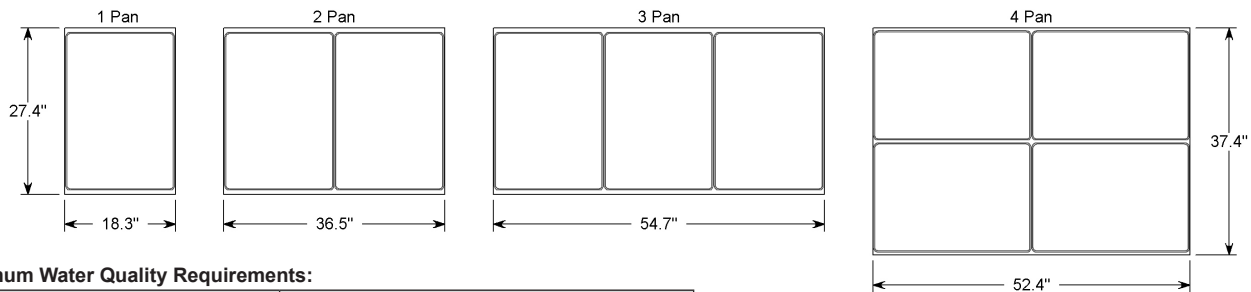
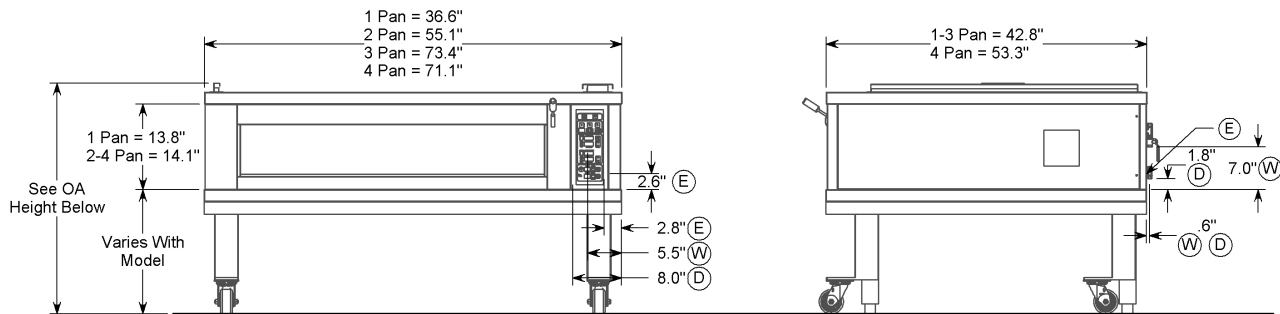
- Deck ovens ship fully assembled or disassembled in one crate. Decks can be shipped individually upon request (additional charges may apply)
- 208V, 3ph, 60Hz electrical required (standard configuration). Other optional voltage and phase options are also available (see below)
- Multiple or single decks can be field connected to a single power source
- Use copper wire only (90 deg C minimum) for power connection
- Clearance from combustible surfaces: 1", sides and back; 6", top

Options and Accessories:

240V, 3ph, 60hz Electrical

480V, 3ph, 60hz Electrical

240V, 1ph, 60hz Electrical
(1, 2 and 3 pan deck ovens only)



Minimum Water Quality Requirements:

Alkalinity < 22 ppm	Magnesium < 0.65 ppm
Aluminum < 17 ppm	pH = 8.5
Calcium < 3 ppm	Sodium < 8.5 ppm
Free Chlorine Radical < 0.6 ppm	Total Hardness < 11.9 ppm

Utility Requirements:

Model	Voltage (E)	3 Phase												1 Phase		
		1 Deck			2 Decks			3 Decks			4 Decks			Per Deck		
		kW	MCA	MOP	kW	MCA	MOP	kW	MCA	MOP	kW	MCA	MOP	kW	MCA	MOP
SE-91Y (1 Pan)	208	4.7	20	25	9.4	40	45	14.1	55	70	18.8	75	90	-	-	-
	240	5.9	20	25	11.8	40	50	17.7	60	75	23.6	80	95	5.9	35	40
	480	3.0	15	20	5.9	25	30	8.85	40	45	11.8	50	60	-	-	-
SE-92Y (2 Pan)	208	5.9	25	30	11.8	50	60	17.7	70	85	23.6	95	110	-	-	-
	240	7.5	25	30	15	50	60	22.5	75	90	30	100	120	7.5	40	50
	480	3.8	15	20	7.5	25	30	11.25	40	45	15	50	60	-	-	-
SE-93Y (3 Pan)	208	9.3	40	45	18.6	75	90	27.9	110	140	37.2	150	180	-	-	-
	240	11.7	40	50	23.4	80	95	35.1	120	150	46.8	160	190	11.7	65	75
	480	5.9	20	25	11.7	40	50	17.55	60	75	23.4	80	95	-	-	-
SE-94Y (4 Pan)	208	11.7	45	55	23.4	90	110	35.1	140	165	46.8	180	220	-	-	-
	240	14.9	50	60	29.8	100	120	44.7	150	180	59.6	200	240	-	-	-
	480	7.5	25	30	14.9	50	60	22.35	75	90	29.8	100	120	-	-	-

Shipping Information:

Model	1 Deck		2 Decks		3 Decks		4 Decks		Freight Class
	OA Height	Weight*	OA Height	Weight*	OA Height	Weight*	OA Height	Weight*	
SE-91Y (1 Pan)	52.4 in	445 / 515 lb	66.1 in	790 / 940 lb	72.9 in	1130 / 1405 lb	72.4 in	1475 / 1875 lb	77.5
SE-92Y (2 Pan)		570 / 660 lb		1040 / 1200 lb		1505 / 1745 lb		1975 / 2065 lb	
SE-93Y (3 Pan)	52.7 in	600 / 705 lb	66.8 in	1115 / 1290 lb	73.9 in	1630 / 1890 lb	73.8 in	2145 / 2485 lb	
SE-94Y (4 Pan)		755 / 875 lb		1460 / 1690 lb		2165 / 2505 lb		2870 / 3420 lb	

* Equipment Weight / Shipping Weight