



16 GAUGE STAINLESS STEEL

FIVE STATION A.D.A. FLOOR MOUNTED SQUARE CORNER SINK WITH TUBULAR LEGS & CROSS BRACING

WITH/WITHOUT MANUAL FAUCETS



Manual Operated Shown
(Faucet Not Included)



"-F" Series Sink Includes
K-161-LU Gooseneck Faucets
with Wrist Handles

Item #: _____ Qty #: _____
 Model #: _____
 Project #: _____



A.D.A. COMPLIANT

FEATURES:

- 8 1/2" high backsplash.
- 5" sink bowl depth.
- Three stainless steel "Z" brackets.
- Two K-6 3 1/2" rear basket drains.
- Tubular stainless steel legs with flanged feet.
- Side adjustable cross-bracing with leg clamps.
- Manual Operated:** Faucets sold separately.
- "-F" Series** includes five K-161-LU 6" gooseneck faucets with Wrist Handles.

CONSTRUCTION:

- All TIG welded.
- Welded areas blended to match adjacent surfaces and to a satin finish.

MATERIAL:

All 16 GAUGE type "304" stainless steel.
 1 5/8" tubular "304" stainless steel legs & cross-bracing.
 Stainless steel gussets.

MECHANICAL:

8" O.C. faucet holes punched at each station.

Model #	Length	# of Faucets Sink Accommodates	# of Faucets Included	Wt.	Cu. Ft.
19-FM-100-ADA	100"	5	0 (Faucets <u>Not</u> Included)	138 lbs.	35
19-FM-100-ADA-F	100"	5	5 (K-161-LU Faucets Included)	148 lbs.	35

[Click Here For Install Guide](#)



MULTI-STATION ACCESSORIES & REPLACEMENT PARTS

Model	Description	QTY:
K-6	3 1/2" Drain (1 1/2" I.P.S.)	_____
K-13	Stainless Steel Soap Dispenser (Wall Mount Only)	_____
K-06	Splash Mount Faucet Mounting Kit	_____
K-101	8" Swing Spout Splash Mt. Faucet	_____
K-160-LU	Splash Mounted 6" Swivel Spout Faucet (8" O.C.) With Wrist Handles	_____
K-411	Strainer Plate for 3-1/2" Drain	_____
K-1118	Extra H.D. 8" Splash Mounted Faucet	_____
K-316-LU	Wrist Handles	_____
K-472	Faucet Hole Revision (Manual Faucet Operated Sinks Only)	_____
K-449	5" Backsplash Modification (Used When Installing A Mirror Over An Ada Multi-Station Or Service Sink) Mirror Supplied By Others	_____
K-508	Special Sizing Charge (Larger Size Cut Down To Smaller Size)	_____
TA-19	Adjustable Stainless Steel Flanged Bullet Foot	_____



= Ships UPS

Standard Faucets conform to NSF 61 Standard 9 and compliance to AB 1953 Standards.

WARNING: Equipment that include faucets on this page may contain a chemical known to the State of California to cause cancer, birth defects or other reproductive harm.



Customer Service Available To Assist You 1-800-645-3166 8:30 am - 7:00 pm E.S.T.

For Orders & Customer Service:

Email: customer@advancetabco.com or Fax: 631-242-6900

For Smart Fabrication™ Quotes:

Email: smartfab@advancetabco.com or Fax: 631-586-2933

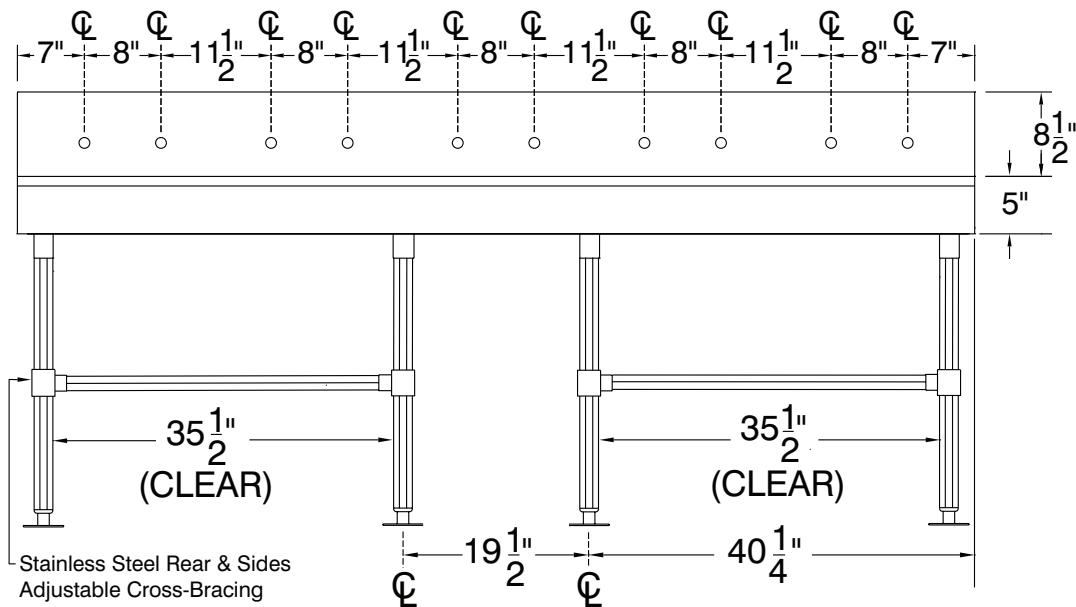
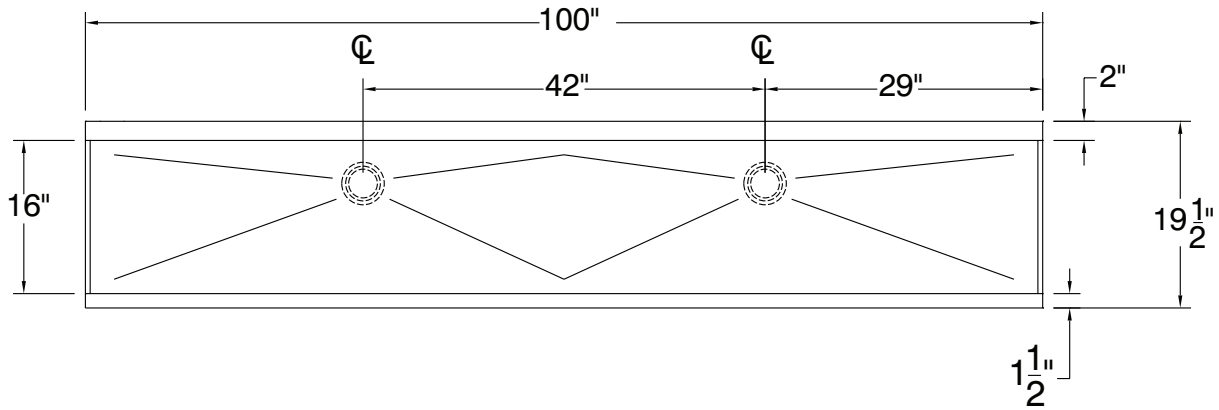
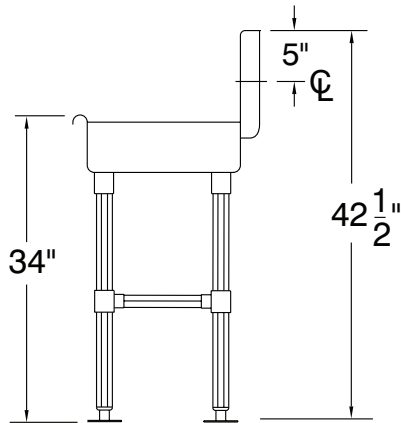
DETAILS and SPECIFICATIONS

TOL ± .500"

FITTINGS SUPPLIED AS SHOWN

ALL DIMENSIONS ARE TYPICAL

19-FM-100-ADA



138 lbs.

