

Project _____

Item Number _____

Quantity _____

UPasta



Pasta Machine

Model:

➤ UPasta

Pasta Machine

Available Pasta Dies:

14 Pasta Die Plates (One needed for machine to function)

- Spaghetti
- Bigoli/Pici Toscani
- Linguine
- Spaghetti Quadri
- Tagliolini
- Tagliatelle
- Pappardelle
- Maccheroni rigati
- Gramigne
- Penne
- Gnocchetti sardi
- Caserecce Strozzapreti
- Fusilli
- Pasta sheet

See **Pasta Machine Die Chart** for full dies.

*Recipe sheet comes with unit for appropriate texture and consistency ratio. Pour liquids in slowly for best use.

Optional Pasta Cutter



Features:

- Easy and fast dough mixing
- Easily remove bowl and spiral for cleaning and sanitizing
- Easy drip feed to pour liquid in evenly.
- Stainless steel worm and nickel bronze extruder head
- 14 pasta die plates available (one needed for machine to function)
- Optional Pasta Cutter
- Can produce up to 17.6 lbs of product an hour
- Upgraded mixing and extruding system

Warranty:

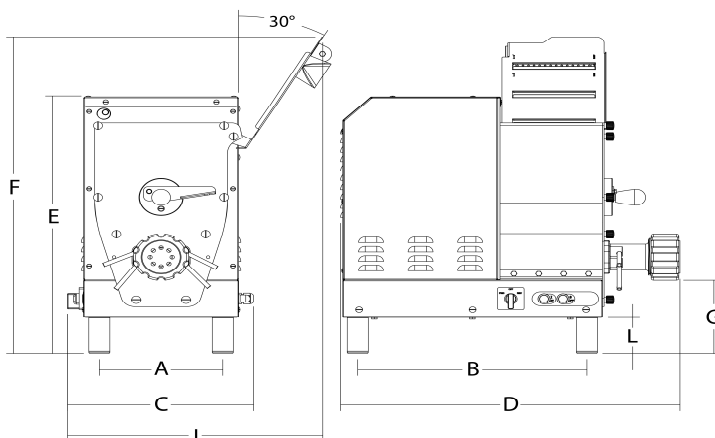
- One year, on-site parts and labor

Univex Corporation



Pasta Machine

UPasta



A	B	C	D	E	F	G	I	L
inches	inches	inches	inches	inches	inches	inches	inches	inches
8.8"	16.3"	13.2"	24.1"	21.9"	26.9"	6.3"	18.14"	3.15"

Electrical Information (60Hz)

	Voltage	Phase	Power
Standard Voltage	115	1	750 Watt - 1 HP

- Dough Capacity:** 8.8 lbs. (4Kg)
- Bowl Capacity:** 21.1 quarts (20 liters)
- Output/hour:** 17.6 pounds/hour
- Extruder Output/hour:** 35.2 pounds/hour
- Controls:** Start/stop and secondary for attachments

Shipping Information

Net Weight	Shipping Weight	Overall Dimensions
92.6 lbs	135 lbs	30"L x 22"W x 32" H