



16 GAUGE STAINLESS STEEL

# FOUR STATION A.D.A. WALL MOUNTED SQUARE CORNER SERVICE SINK WITH TUBULAR SUPPORTS WITH/WITHOUT MANUAL FAUCET



Manual Operated Shown  
(Faucet Not Included)



"-F" Series Sink Includes  
K-161-LU Gooseneck Faucets  
with Wrist Handles

Item #: \_\_\_\_\_ Qty #: \_\_\_\_\_  
 Model #: \_\_\_\_\_  
 Project #: \_\_\_\_\_



A.D.A.  
COMPLIANT

### FEATURES:

- 8 1/2" high backsplash.
- 5" sink depth.
- Two stainless steel "Z" brackets.
- One K-6 3 1/2" rear basket drain.
- Two tubular stainless steel support brackets that allow full clearance underneath.

**Manual Operated:** Faucets sold separately.

**"-F" Series** includes four K-161-LU 6" gooseneck faucets with Wrist Handles.

### CONSTRUCTION:

- All TIG welded.
- Welded areas blended to match adjacent surfaces and to a satin finish.
- Die formed tubular wall brackets.

### MATERIAL:

- All 16 gauge type "304" stainless steel.
- 1 5/8" tubular "304" stainless steel wall brackets.
- Stainless steel gussets.

### MECHANICAL:

8" O.C. faucet holes punched at each station.

Model #	Length	# of Faucets Sink Accommodates	# of Faucets Included	Wt.	Cu. Ft.
19-18-80-ADA	80"	4	0 <small>(Faucets Not Included)</small>	92 lbs.	28
19-18-80-ADA-F	80"	4	4 <small>(K-161-LU Faucets Included)</small>	100 lbs.	28

[Click Here For Install Guide](#)



## MULTI-STATION ACCESSORIES & REPLACEMENT PARTS

Model	Description	QTY:
K-6	3 1/2" Drain (1 1/2" I.P.S.)	_____
K-13	Stainless Steel Soap Dispenser (Wall Mount Only)	_____
K-06	Splash Mount Faucet Mounting Kit	_____
K-101	8" Swing Spout Splash Mt. Faucet	_____
K-159	Splash Mounted 3-1/2" Gooseneck Faucet (8" O.C.)	_____
K-160	Splash Mounted 6" Swivel Spout Faucet (8" O.C.)	_____
K-161-LU	Splash Mounted 6" Gooseneck With Wrist Handles (8" O.C.)	_____
K-410	Strainer Plate for 3-1/2" Drain	_____
K-1118	Extra H.D. 8" Splash Mounted Faucet	_____
K-316-LU	Wrist Handles	_____
K-472	Faucet Hole Revision <i>(Manual Faucet Operated Sinks Only)</i>	_____
K-449	5" Backsplash Modification (Used When Installing A Mirror Over An Ada Multi-Station Or Service Sink) Mirror Supplied By Others	_____
K-508	Special Sizing Charge <i>(Larger Size Cut Down To Smaller Size)</i>	_____
TA-19	Adjustable Stainless Steel Flanged Support Bracket	_____



K-159



K-160



K-161-LU



K-13



K-06

= Ships UPS

Standard Faucets conform to NSF 61 Standard 9 and compliance to AB 1953 Standards.

**WARNING:** Equipment that include faucets on this page may contain a chemical known to the State of California to cause cancer, birth defects or other reproductive harm.



Customer Service Available To Assist You 1-800-645-3166 8:30 am - 7:00 pm E.S.T.

For Orders & Customer Service:

Email: [customer@advancetabco.com](mailto:customer@advancetabco.com) or Fax: 631-242-6900

For Smart Fabrication™ Quotes:

Email: [smartfab@advancetabco.com](mailto:smartfab@advancetabco.com) or Fax: 631-586-2933

REF-JJ

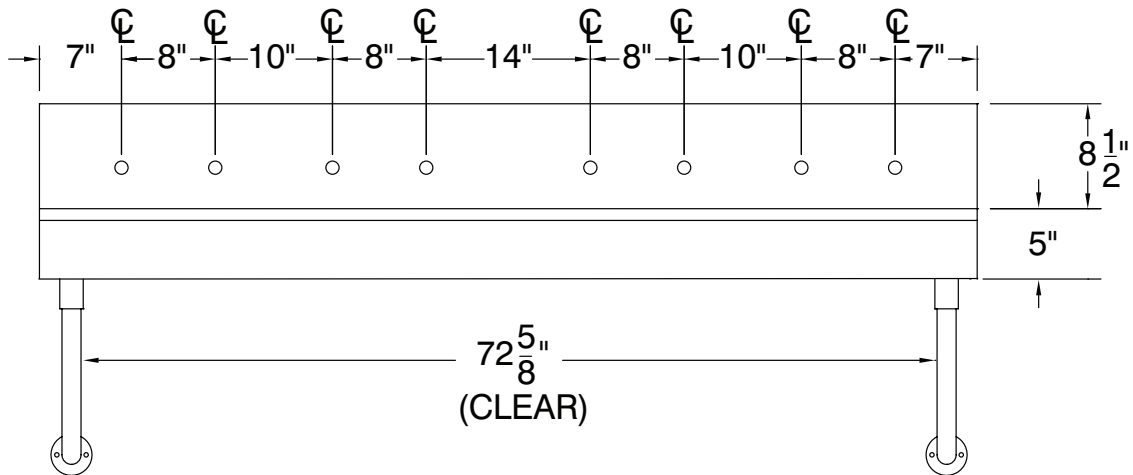
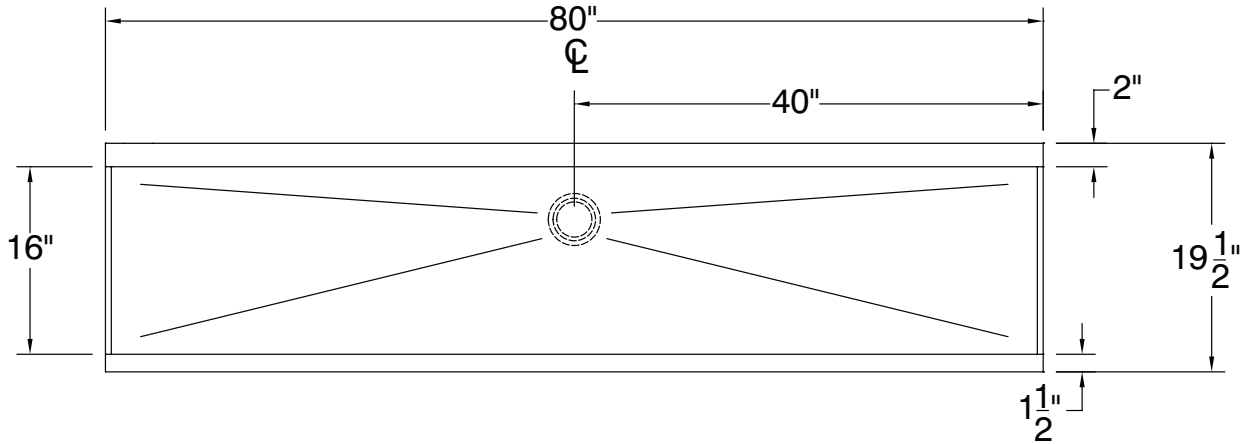
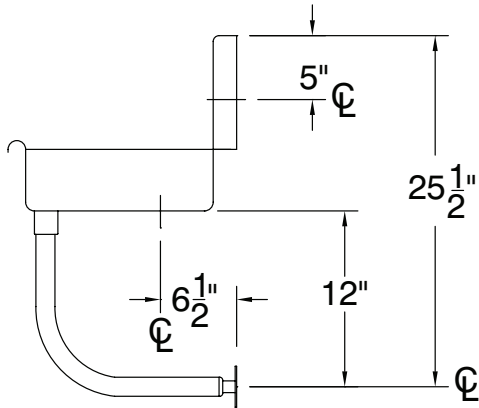
# DETAILS and SPECIFICATIONS

TOL ± .500"

FITTINGS SUPPLIED AS SHOWN

ALL DIMENSIONS ARE TYPICAL

19-18-80-ADA



92 lbs.

