



## 11" Ice Cream Dipper Well and Faucet Set

ITEM

48176



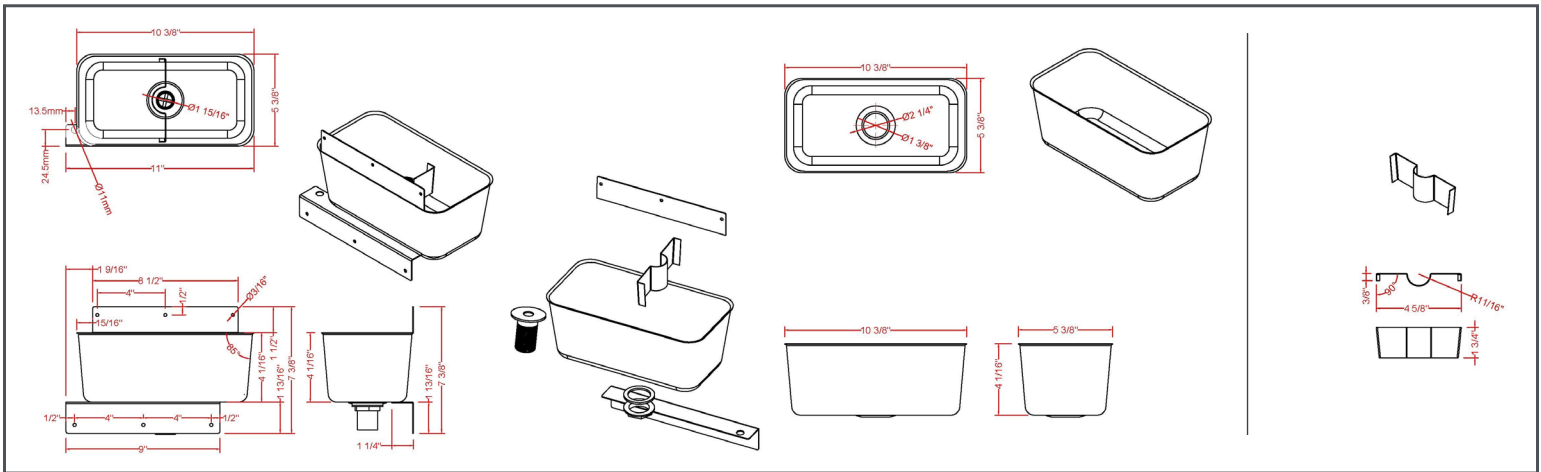
**Ideal for busy ice cream shops, this includes a stainless steel rectangular bowl and a faucet.**

It's designed to attach easily to the side of your ice cream dipping cabinet. This setup helps prevent different flavors from mixing and keeps your scoops clean when switching between flavors.

### TECHNICAL SPECIFICATION

Item	48176
Material	18GA.304 Stainless steel
Bowl Size	9.6" x 4.6" x 4.1" (241 x 117 x 104 mm)
Net Weight	15.4 lb. (7.1 kg.)
Net Dimensions (DWH)	11" x 5.4" x 7.4" (279 x 137 x 188 mm)
Gross Weight	17 lb. (8 kg.)
Gross Dimensions (DWH)	7" x 9" x 12" (185 x 230 x 300 mm)

### TECHNICAL DRAWING



Telephone: 1-800-465-0234

Fax: (905) 607-0234

Email: sales@omcan.com

Website: www.omcan.com



Authorized Dealer

