



HURAKAN

HKN-GXE23R1G - 29" Single Glass Door

Reach-In Refrigerators

Item #: HKN-GXE23R1G/US Project: _____

Qty: _____ Date: _____ Approval: _____



Technical Data

Width	29 Inches
Depth	32 1/4 Inches
Height	82 1/2 Inches
Capacity	23.06 cu. ft
Power Cord Length	98 3/8 Inches
Interior Width	24 3/8 Inches
Right Door Opening Width	24 1/4 Inches
Interior Depth	27 1/8 Inches
Interior Height	51 5/8 Inches

Features

- Stainless steel interior and exterior, aluminum back.
- Option of bright white aluminum interior available
- Electronic control makes it easy to adjust temperature set point and defrost frequency.
- Refrigeration system keeps food at safe temperatures between 33F and 41F .
- Preinstalled heavy-duty casters with brakes
- Self-Closing doors with 90 degree stay-open feature Locks and keys included
- Removable installation board makes it easy to access condenser coil for cleaning and service.
- Option of different handles & control panels available
- Adjustable heavy-duty PVC coated shelves

Certifications



www.equip.me

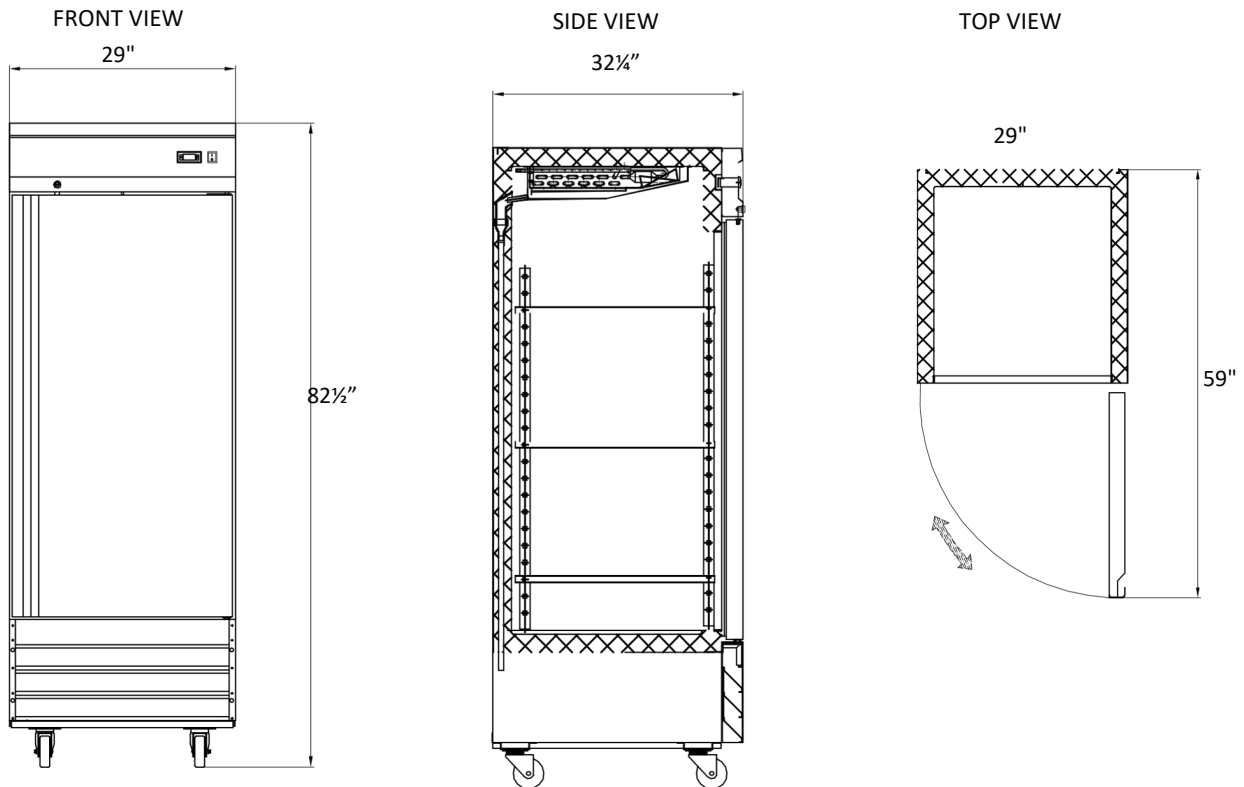


Technical Data

Amps	2.6 Amps
Hertz	60 Hertz
Phase	1 Phase
Voltage	110 Volts
Access Type	Doors
Casters	With Casters
Color	Silver
Compressor Location	Bottom Mounted
Construction	Stainless steel interior and exterior, aluminum back
Door Style	Swing
Door Type	Glass
Dutch Half Doors	Without Dutch Half Doors
Features	yes
Horsepower	1/5
Hinge Location	Right
Individual Shelf Capacity	88 lb.
Installation Type	Freestanding
Number of Doors	1 Door
Number of Shelves	3 Shelves
Plug Type	NEMA 5-15P
Refrigerant Capacity	2.82 oz
Refrigerant Type	R-290
Sections	1 Section
Temperature Range	33-41 Degrees F



Plan View



Notes & Details

Introducing our Glass-Door Reach-In Refrigerator, boasting a sleek stainless steel exterior and interior, accentuated by an aluminum back. Its self-closing glass door, with a convenient 90-degree stay-open feature, offers both style and functionality.

Choose the optional bright white aluminum interior for a modern touch. Security is ensured with included locks and keys.

Experience effortless temperature control and maintenance with the electronic system, while cleaning and servicing are made easy with access to the condenser coil through a removable installation board.

With a refrigeration system that maintains food at safe temperatures between 33°F and 41°F, and preinstalled heavy-duty casters for mobility and stability, this unit is both reliable and practical.

Inside, find adjustable heavy-duty PVC-coated shelves, offering flexibility in storage. Optional handles and control panels are available for customization.

With dimensions of 29" x 32 1/4" x 82 1/2" and a capacity of 23.06 cu. ft., this refrigerator is the ideal solution for your commercial refrigeration needs.