



# FANTASTIC M/AS

Small Footprint  
Ease of Use

MEDIUM VOLUME

30  MIN.

Pitcher in place, oranges on top, instant fresh juice. All on only 11" of counterspace.

**AUTOMATIC JUICING:** Simply feed fruit to start juicing. Open tap for increased labor efficiency. Ideal for staff-operated locations with limited space.

**SUPERIOR TASTE:** Patented SCS Up&Down dynamic knife delivers precise fruit cuts, reduces peel oil, and yields sweeter-tasting juice.

**MAXIMIZED HYGIENE:** 304 food-grade stainless steel ensures food safety. Dishwasher-safe Double Cover and juicing parts maximize hygiene.

**EFFICIENT OPERATION:** One single Cross Holder secures all juicing elements and speeds up disassembly and cleaning.

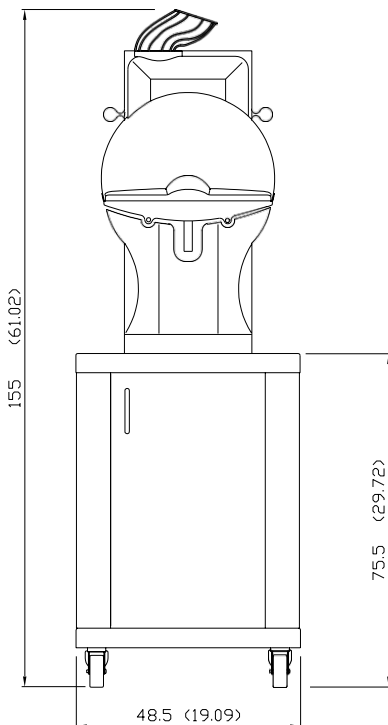
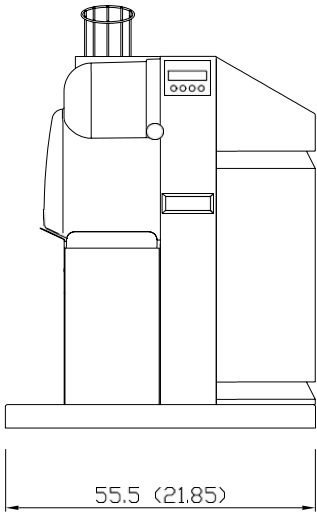
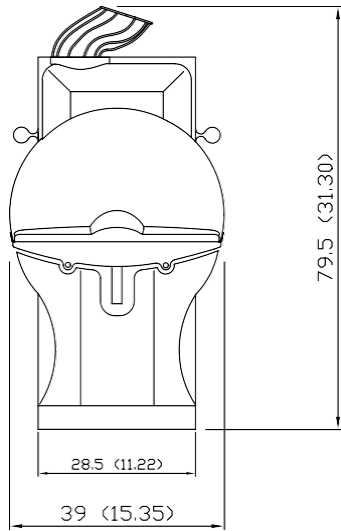
**UNMATCHED DURABILITY:** Robust materials and design. Complete triple-sealed separation of juicing and motor zone for durability and longer machine life.

**SMART TECHNOLOGY:** Multi-functional digital display with fruit counter, intelligent stop, and more.

**LUCRATIVE RETURNS:** Eye-catching design attractively priced. Easily switch to optional Small Pressing Kit for juicing lemons and limes.



# FANTASTIC M/AS



Measurements in cm (in)

# MEDIUM VOLUME CITRUS JUICER

Fruit per minute

**30 pieces**

Fruit supply tunnel

**4 pieces**

Fruit type

**Citrus fruit**

Fruit size, Standard Pressing Kit (incl.)

**2.55-3.14 in / 100 to 138 count**

Fruit size, Small Pressing Kit (opt.)

**1.96-2.55 in / 140 to 200 count**

Juicing modes

**Auto-start /**

**Continuous**

Installation

**Free-standing / countertop kit /**

**Stainless-steel cabinet**

Net weight

**96 lb**

Power Supply

**120 V / 60 Hz**

Power

**200 W / 0.2 kW**

Fuse / Protection

**6.3 A / IPx1**

Warranty

**Limited 2-year**

Certifications



Parts and Support

**(407) 790 7862**

**www.citrusamerica.com**

## 2-ZONE TECHNOLOGY:

Complete separation of *motor zone* and *juicing zone* with stainless-steel Double Cover for improved hygiene and cleaning efficiency.



## OPTIONAL ACCESSORIES:

- Fruit Basket |
- Small Pressing Kit for lemons and limes |
- Counter-Installation Kit |
- Rolling Stainless-Steel Cabinet |

## ADDITIONAL INFORMATION:



# NSF International

789 N. Dixboro Road, Ann Arbor, MI 48105 USA

RECOGNIZES

Citrocasa GmbH

Austria

AS COMPLYING WITH NSF/ANSI 8, 169 AND ALL APPLICABLE REQUIREMENTS.  
PRODUCTS APPEARING IN THE NSF OFFICIAL LISTING ARE  
AUTHORIZED TO BEAR THE NSF MARK.



ISO/IEC 17065  
Product Certification Body  
#0216

Certification Program  
Accredited by the  
American National  
Standards Institute



Certification Program  
Accredited by the  
Standards Council  
of Canada

This certificate is the property of NSF International and must be returned upon request. This certificate remains valid as long as this client has products in NSF's Official Listings for the referenced standards. For the most current and complete Listing information, please access NSF's website ([www.nsf.org](http://www.nsf.org)).

A handwritten signature in black ink, appearing to read "S Krol", is written over a horizontal line.

July 17, 2019

Certificate# C0034229 - 04

Sarah Krol

Global Managing Director, Food Safety Product Certification



## OFFICIAL LISTING

NSF certifies that the products appearing on this Listing conform to the requirements of  
NSF/ANSI 8 - Commercial Powered Food Preparation Equipment

This is the Official Listing recorded on September 28, 2020.

**Citrocasa GmbH**  
**Industriezeile 47**  
**Linz A-4017**  
**Austria**  
**43 732 750173**

**Facility: Qidong, Jiangsu, China**

Citrus Juicer 6000 Range

6000 XB                      6000 XB-AS

Citrus Juicer 7000 Range

7000 SB                      7000 SBCL                      7000 XB

Citrus Juicer 8000 Range<sup>[1]</sup>

8000 Connect                      8000 eXpress                      8000 SB                      8000 SB Advance

8000 SB-ATS Advance                      8000 SBCL                      8000 XB                      8000 XB Advance

Citrus Juicer Revolution

Revolution                      Revolution Advance

Orange Juicer for Commercial Use - Fantastic Range<sup>[1]</sup>

Fantastic Connect                      Fantastic eXpress

Fantastic F / Digi                      Fantastic F / SB

Fantastic F/Digi ADV                      Fantastic F/Digi-ATS Advance

Fantastic F/SB ADV                      Fantastic F/SB-ATS Advance

Fantastic iMpress                      Fantastic M/AS

Fantastic M/AS ADV                      Fantastic M/SB

Fantastic M/SB ADV

[1] A selection of models are available with the following accessories: lemon kit, large pressing unit.

Note: Additions shall not be made to this document without prior evaluation and acceptance by NSF.

1 of 1



America

# CERTIFICATE

No. U8U 067352 0027 Rev. 03

**Holder of Certificate:** Citrocasa GmbH  
Industriezeile 47  
4020 Linz  
AUSTRIA

**Certification Mark:**



**Product:** Citrus juicer  
Commercial Orange Juicer

This product was voluntarily tested to the relevant safety requirements referenced on this certificate. It can be marked with the certification mark above. The mark must not be altered in any way. This product certification system operated by TÜV SÜD America Inc. most closely resembles system 3 as defined in ISO/IEC 17067. Certification is based on the TÜV SÜD "Testing and Certification Regulations". TÜV SÜD America Inc. is an OSHA recognized NRTL and a Standards Council of Canada accredited Certification body.

**Test report no.:** 704010955002-07

**Date,** 2020-11-17

( Mingmin Fan )



America

# CERTIFICATE

No. U8U 067352 0027 Rev. 03

**Model(s):** 8000SB, 7000SB, 8000SB Advance, 8000XB Advance, 8000SB-ATS Advance, Fantastic M/SB Advance, Fantastic M/AS Advance, Fantastic F/SB Advance, Fantastic F/Digi Advance, Fantastic F/Digi-ATS Advance, Fantastic F/SB-ATS Advance, 8000SB-ATS Connect, 8000SB-ATS, 8000SB-ATS POM, 8000 Connect, 8000 eXpress, Fantastic Connect, Fantastic eXpress, Fantastic iMpress

**Tested according to:** UL 763:2018

**Production Facility(ies):** 074146

**Parameters:**  
 Rated voltage: 115VAC-120VAC  
 Rated frequency: 60Hz  
 Rated input power: 280W, 150W, 280W, 280W, 280W, 200W, 200W, 200W, 200W, 200W, 200W, 280W, 280W, 280W, 280W, 280W, 200W, 200W, 200W  
**Protection class:** I  
**Degree of protection:** IPX1



**Dr. Ralph Derra**Öffentlich bestellter und vereidigter Sachverständiger für  
Verpackungsmaterialien, Boden- und Luftanalysen;  
Sachverständiger in der Wasseranalytik

15 December 2021

Dr. Dr/Be-pf

**UNBEDENKLICHKEITSERKLÄRUNG  
CERTIFICATE OF COMPLIANCE  
CERTIFICAT DE CONFORMITE**eingetragen  
registered no.  
registré

56079 U 21

für  
for  
pourCitrocasa GmbH  
Industriezeile 47  
4020 Linz  
AustriaProdukt  
Product  
Produit

Orange juicer

Citrocasa 6000  
Citrocasa 7000  
Citrocasa 8000 series  
Citrocasa Fantastic series

The orange juicers manufactured by the company mentioned above are used for the preparation of orange juice.

They were examined by us according to the

Methoden zur Untersuchung von Kunststoffen, soweit sie als Bedarfsgegenstände im Sinne des Lebensmittel- und Bedarfsgegenständegesetzes verwendet werden, einschließlich der 62. Mitteilung des BfR zur Untersuchung von Hochpolymeren, Bundesgesundheitsblatt 50, 524 (2007), Stand vom April 2007,

(Methods for testing plastics as far as they are used as consumer goods as defined by the Foodstuffs and Consumer Goods Act, including the 62<sup>nd</sup> memorandum of the BfR on the examination of high polymers, Bundesgesundheitsblatt 50, 524 (2007), state of April 2007),

for the composition as well as for the release of substances which might endanger health as well as to the

Series of standards EN 1186, EN 13130 and CEN/TS 14234 "Materials and Articles in Contact with Foodstuffs – Plastics", current state,

for the migration behaviour.

The orange juicers are in compliance with the rules of the

Regulation (EC) No 1935/2004 of the European Parliament and of the Council of 27 October 2004 on materials and articles intended to come into contact with food and repealing Directives 80/590/EEC and 89/109/EEC, Official Journal of the European Union L 338/4 of 13.11.2004, modified by app. no. 5.17 of the regulation (EC) No 596/2009 of 18 June 2009, Official Journal of the European Union L 188 of 18 July 2009, article 3, 1. (a) and (b),

as well as of the

Lebensmittel-, Bedarfsgegenstände- und Futtermittelgesetzbuch (Lebensmittel- und Futtermittelgesetzbuch - LFGB) in der Fassung der Bekanntmachung vom 15. September 2021 (BGBl. I S. 4253), zuletzt geändert durch Artikel 7 des Gesetzes vom 27. September 2021 (BGBl. I S. 4530), §§ 30 und 31,

(Foodstuffs, Consumer Goods and Animal Feed Code (Foodstuffs and Animal Feed Code - LFGB) in the version of the notification of 15 September 2021 (BGBl. I p. 4253), last amendment by article 7 of the law of 27 September 2021 (BGBl. I p. 4530), §§ 30 and 31),

and meet the demands of the

Commission Regulation (EU) No 10/2011 of 14 January 2011 on plastic materials and articles intended to come into contact with food, Official Journal of the European Union L 12/1 of 15 January 2011, last amendment by Commission Regulation (EU) 2020/1245 of 2 September 2020, Official Journal of the European Union L 288/1 of 3 September 2020,

with regard to the migration behaviour in case of application.

Thus, the orange juicers **Citrocasa 6000**, **Citrocasa 7000**, **Citrocasa 8000 series** and **Citrocasa Fantastic series** according to the sample device submitted may be used safely for the intended purpose.

This certificate of compliance represents the latest technical standard and is based on the certificate of compliance no. 35981 U 13 of 25 July in connection with a completely new examination of the products.

This certificate of compliance has a validity of 2 years and consists of 3 pages.

Certification decision



staatlich anerkannter Sachverständiger  
zur Untersuchung der Gegenproben von  
Verpackungsmitteln aus Papier, Papp  
Kunststoffen, Glas, Weißblech und  
sonstigen Metallverpackungen auf ihre  
gesamtheitliche Unbedenklichkeit

  
(Behrendt)  
Officially certified  
and authorized food  
chemist

The translation of the above stamps is given on page 3.  
La traduction des estampilles est donnée en page 3.





**Staatlich anerkannter Sachverständiger zur Untersuchung der Gegenproben von Verpackungsmitteln aus Papier, Pappe, Kunststoffen, Glas, Weißblech und sonstigen Metallverpackungen auf ihre lebensmittelrechtliche Unbedenklichkeit**

Dr. Ralph Derra

Authorized expert for the analyses of packaging materials, attested by the Aschaffenburg Chamber of Industry and Commerce.

Expert autorisé pour l'analyse des matériaux d'emballage, assermenté par la Chambre d'Industrie et de Commerce d'Aschaffenburg.

State registered expert for the analysis of contrasting samples of packaging materials of paper, board, plastics, glass, tin plate and other metallic packaging materials as to their suitability for use with foodstuffs.

Expert public pour l'étude du contrôle des contre-échantillons d'emballages de papier, cartons, plastiques, verre, fer-blanc et d'autres emballages métalliques concernant leur conformité alimentaire.



Dr. Ralph Derra

Authorized expert for the analyses of soil and air, attested by the Aschaffenburg Chamber of Industry and Commerce.

Expert autorisé pour l'analyse du sol et de l'air, assermenté par la Chambre d'Industrie et de Commerce d'Aschaffenburg.

---

Die Rücklagen des untersuchten Materials werden bei der Gutachterstelle verwahrt.  
Dieses Dokument ist eine Übersetzung einer deutschen Originalversion. In Streitfällen ist das Originaldokument die rechtlich bindende Version.  
A file sample of the tested material is kept at the expert's office.  
This document is a translation of an original in German. In case of dispute, the original document should be taken as authoritative.