



# HURAKAN

## Gas Stock Pot Ranges HKN-XRFSG18-2A DOUBLE

Item #: HKN-XRFSG18-2A/US Project: \_\_\_\_\_

Qty: \_\_\_\_\_ Date: \_\_\_\_\_ Approval: \_\_\_\_\_



### Technical Data

Width	24 Inches
Depth	41 3/8 Inches
Height	19 2/8 Inches
Base Style	Storage Base
Burner BTU	85000
Color	Silver
Features	
Gas Inlet Size	3/4 Inches
Installation Type	Freestanding

### Features

- 1 Maxitrol gas regulator
- 2 3, 6" Adjustable stainless steel legs
- 3 Gas conversion kit
- 4 Heavy-duty cast Iron lift-off grates

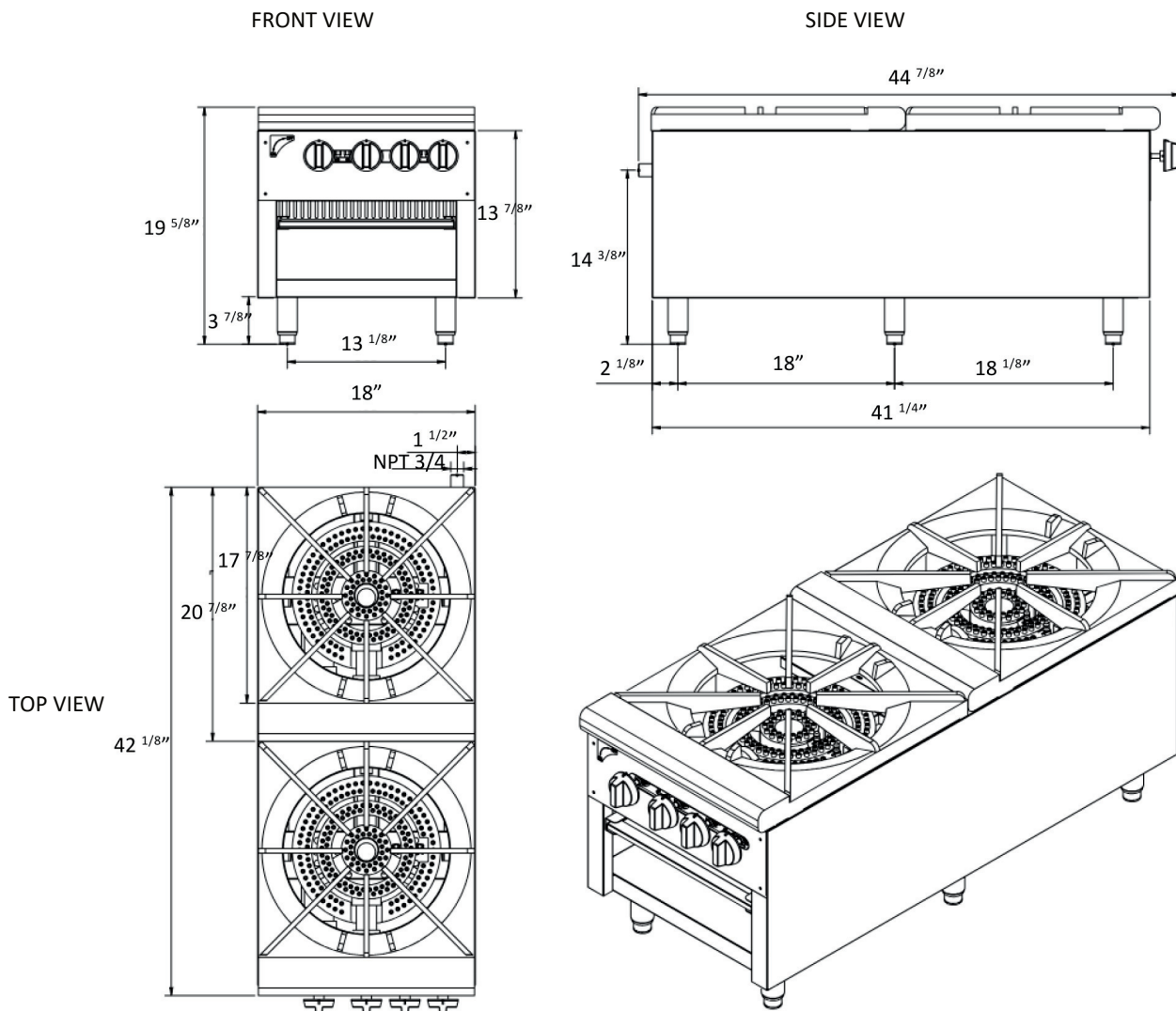
[www.equip.me](http://www.equip.me)



### Technical Data

Material	Stainless Steel
Number of Burners	2
Power Type	Natural Gas
Total BTU	170000
Type	Stock Pot Ranges

### Plan View





## Notes & Details

### Gas Stock Pot Range - Double.

Introducing our Dual Ring Cast Iron Burner, a culinary powerhouse meticulously designed for efficiency and durability. Crafted with a heavy-duty cast iron grate and stainless steel adjustable legs, this burner ensures unwavering stability and longevity in any culinary environment.

Effortless ignition is guaranteed with the standby pilot, simplifying the cooking process. The zinc alloy knob, coated with chrome, not only adds a touch of elegance but also ensures precise control over the cooking experience.

Equipped with a convenient crumb tray at the bottom, cleaning and maintenance are made easy, allowing for hassle-free operation. Moreover, with the seamless ability to convert between natural gas and propane, versatility is always at your fingertips.

Stainless steel accents on the front and sides provide a sleek finishing touch, making this burner a stylish and functional addition to any kitchen setup. Experience culinary convenience and performance like never before with our Dual Ring Cast Iron Burner.

### Certifications



ETL, US



ETL Sanitation



3/4" Gas Connection



Field Convertible (Gas)

Instructions and images in this manual are only for reference and may differ from the actual product. Launch the E-Manual.