

Champion[®]

The Dishwashing Machine Specialists

PROJECT: _____

ITEM # _____ QTY: _____

MODEL # _____

AIA # _____ SIS # _____

RW-72

POT, PAN AND UTENSIL WASHER



Shown with optional fold-away ramp

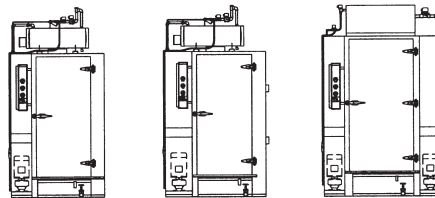
Rendered image is for general visual representation only. Please refer to specifications for the latest detailed product information.

STANDARD FEATURES

- **Heavy-Duty Stainless Steel Construction**
- **Double-Skinned Hinged Door Design**
- **Standard And Custom Wash Racks**
- **Choice Of Tank Heat:**
Electric, Infrared Gas Or Steam
- **Moisture Resistant Control Gauge**
- **Easy To Clean, Dual Filtration System**
- **Recirculating Wash Water**
- **Two (2) 15 HP Pumps**
- **Adjustable Wash And Rinse Cycles**
- **Digital Control And Information Center**
- **72 Sheet Pan Capacity**
- **Fresh Water Sanitizing Rinse**
- **Designed For Pit Or Ramp Installations**
- **Precision Engineered Spray Arm Assembly**
- **One Year Parts And Labor Warranty**

OPTIONS

Additional Panwasher and Rackwasher Models:



RW-36

RW-54

RW-66

POT, PAN AND UTENSIL WASHER

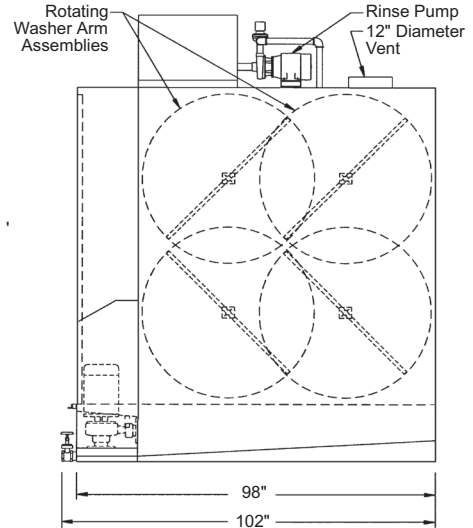
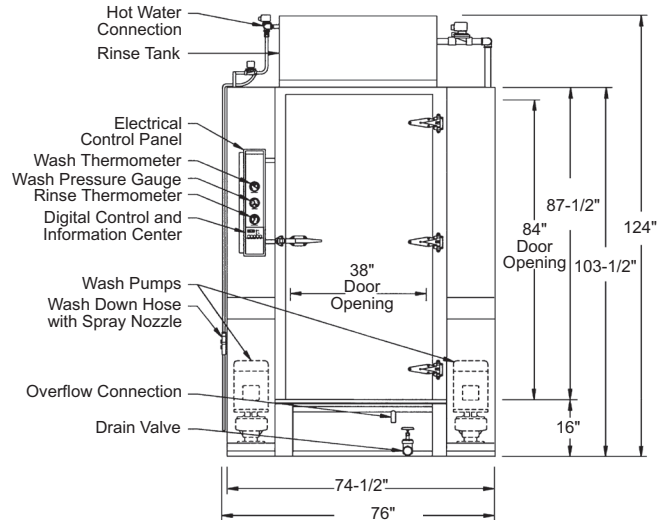


In the USA:
3765 Champion Blvd, Winston-Salem, NC 27105
Tel: (336) 661-1556 Fax: (336) 661-1979
www.championindustries.com

In Canada:
2674 N. Service Rd., Jordan Station, Ontario, Canada L0R1S0
Tel: (905) 562-4195 Fax: (905) 562-4618
www.championindustries.com/1canada

SPECIFICATIONS

Door	Double skinned stainless steel with exterior latch and inside release handle.
Filter	Stainless steel, perforated, screen type.
Water Pump	Two (2) 15 Hp, 208/240/480 volt, 3 phase, 60 cycle with output of 250 gallons per minute at 35 to 45 P.S.I. each.
Digital Control & Information Center	110 volt control circuit with push pad operation of "Power On", "Stop" and "Short, Medium or Long Wash Cycles". A digital display indicates "Time Remaining" for each cycle. LED's indicate wash, rinse and unload functions. A buzzer is also included to provide an audible indication of time to unload. A pre-programmed circuit board allows the push pad to be used as a "Diagnostic Center" by displaying "Error Codes" for ease of troubleshooting.
Gauges	Special moisture resistant gauges measure wash temperature, rinse temperature and wash pressure.
Wash Tank	Stainless steel with electric, gas or steam heating, thermostatically controlled, low water protected, sloped to drain with a 250 gallon capacity.
Rinse Tank	Stainless steel with electric, gas or steam heating to provide 180°F/190°F hot sanitizing rinse.
Racks	Constructed of stainless steel. Built to match specific washing requirements.



Cabinet	74-1/2" wide x 98" deep x 103-1/2" high. Clearance height 124". Standard door opening: 38" wide x 84" high. Wash chamber: 38" wide x 80" deep x 84" high. constructed of 12, 14 & 16 gauge, stainless steel. All seams tig-welded, cleaned and polished. Note: for pass-thru operation cabinet length is 108".
Door	Standard right hand or optional left hand swing constructed of 14 and 16 gauge, stainless steel with integral stainless steel framework. Door double skinned for added strength. Equipped with door latch and inside release handle. Door is interlocked with limit switch to prevent machine operation while open.
Washer Floor	Floor constructed of 12 gauge stainless steel formed sheets designed to provide maximum strength. Floor supports constructed of 3" x 3" x 1/4" stainless steel angle.
Recirculating Wash Tank	Heated by 208/240 at 480 Volt electric immersion heaters, 42 kW total, thermostatically controlled wash temperature with low water protection system. 250 gallon capacity. 14 gauge stainless steel, sloped to drain. Gas and steam heating options available.
Wash Tank Filter	Perforated, stainless steel screen type designed for increased effectiveness and easy cleaning without emptying wash tank.
Wash Tank Fill Valve	Size 1" brass material, solenoid type, automatic.
Drain Valve	Size 2" brass material, gate type for manual or electrically operated ball valve for an automatic option.
Wash Pump	Two (2) 15 Hp, 208/240 or 480 volt, 3 phase, 60 cycle. Close coupled; Each pump delivers 250 gallons per minute at 35 to 45 psi, mounted on 12 gauge stainless steel formed channel base.
Rotating Wash Hub & Spray Arm Assembly	Water-driven stainless steel spray arm assembly with stainless steel jets, removable end caps and hand-operated, quick-release mechanism for easy cleaning and reassembly. Mounted on stainless steel base.
Sanitizing Pumped Rinse Tank	Stainless steel, 60 gallon capacity, with 208/240 or 480 Volt electric booster heaters, pumped rinse 42 kW total, to provide 180°/190° F hot sanitizing rinse. 1-1/2 Hp pump to provide 24 gallons per 30-second cycle. Gas and steam coil heating options available.
Final Rinse Piping	Stainless steel tubing with brass compression fittings and brass or optional stainless steel full cone rinse jets.
Control & Information Center	120 volt control circuit with push pad operation of "Power On," "Stop" and Information "Short, Medium or Long Wash Cycles." A digital display indicates "Time Remaining" for each cycle. LED's indicate wash, rinse and unload functions. A buzzer is also included to provide an audible indication when the machine is ready to unload. A pre-programmed circuit board allows the push pad to be used as a "Diagnostic Center" by displaying "Error Codes" for ease of troubleshooting. Moisture resistant gauges measure Wash Temperature, Wash Pressure and Rinse Temperature.
Optional Rinse Hose	Externally mounted spray hose with spray gun for easy cleaning and maintenance of machine.
Steam Exhaust Vent	Steam exhaust vent 12-7/8" diameter, consisting of 14 gauge rolled collar for PVC pipe connection mounted to the top of the machine. Machine pre-wired with control timer for the addition of a fan.

Optional Exhaust Fan

One (1) 12" diameter stainless steel fan, with 12-7/8" I.D. collar, mounted on washer to extract excess steam after final rinse cycle. 1/4 Hp TEFC or optional wash down duty motor, 120 volt, 1 phase, 1750 RPM, rated 500 CFM at .05" static pressure.

Optional Hood and Fan Assembly

Stainless steel hood with 15" diameter stainless steel fan mounted over door to evacuate steam that escapes when door is opened. 1-1/2 Hp TEFC or optional wash down duty motor, 208/240 or 480 volt, 3 phase, 60 cycle, 3450 RPM, rated 2700 CFM at .08" static pressure.

Racks

(1) stainless steel sheet pan rack, standard. For custom racks, contact factory. Constructed of stainless steel formed angle, mig welded. Supplied with stainless steel casters and nylon wheels.

Connections

Water Inlet: 120°F, 1" NPT
 Water Drain: 2" NPT
 Overflow: 1-1/4" NPT
 Electrical: Single point connection through knock out on electrical enclosure.
 Steam Heating Option: 3/4" NPT
 Natural or Propane Gas Heating Option: 3/4" NPT

Electrical Connections

575 voltage available in Canada

Elec. Specs	Running Amps		
	Electric Wash Electric Booster	Steam Wash* Steam Booster	Infrared Gas Wash** Infrared Gas Booster
208/60/3	316	83	83
240/60/3	290	79	79
480/60/3	146	41	41

* Steam Supply: Consumption: 185 lbs./hr.

** Gas Supply: Consumption: 180,000 BTU/hr.

Certifications

UL and UL Sanitation Listed (all). CUL Listed (electric and steam only).