

MADE IN BRAZIL



Models:
SASL-G / SSGL-G

Standard Features

- Stainless Steel Body
- Cast Aluminum Grid Plate
- Removeable Grease Collector
- Adjustable Max Pressure System
- Uniform Heating
- Easy to Use and Clean
- Ideal for Sandwiches, Meats, Vegetables and more
- Feet Included



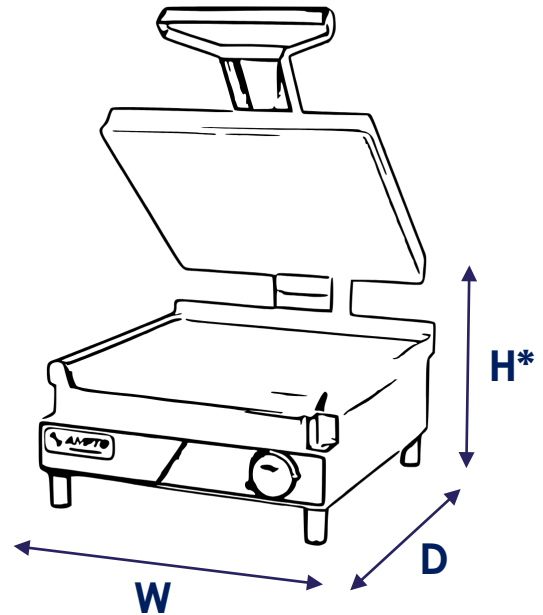
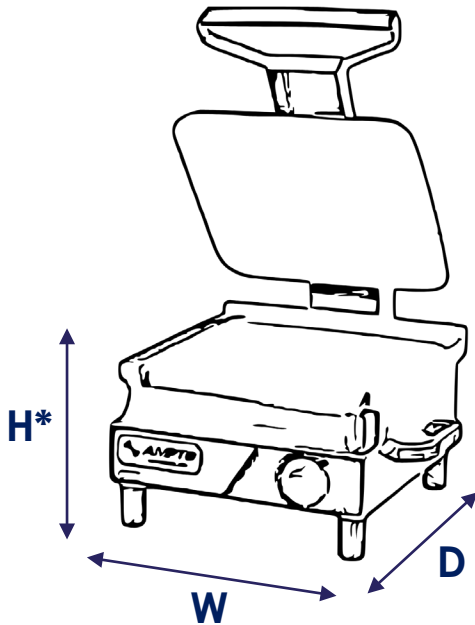
SASL-G



SSGL-G



1-year parts and labor warranty (US Only)



SPECIFICATIONS		
	SASL-G	SSGL-G
Surface Type	Flat	
Power Supply	Propane	
Gas Power (BTU/h)	9,000	15,000
Capacity	9 Sandwiches	16 Sandwiches
Cooking Surface WxD	12 3/8" x 13 5/8"	16 1/2" x 17"
Net Weight (lbs)	26	46.2
Product Dim. (WxDxH)	28.9"	
Packed Unit Weight (lbs)	33	51
Packed Unit Dim. (WxDxH)	31" x 20" x 11"	26" x 24" x 14"
Connection	1/2 NPT	1/2 NPT



Notes:

- Clearance of 6" require on all sides
- **This is Low Pressure Gas Equipment. This unit MUST be used with a gas regulator of 11" WC (280mm WC) Outlet (Not included)****
- Properly clean and dry after daily use to ensure best performance and equipment longevity.
- Always ensure Gas Taps are in the Off position before cleaning.

AMPTO is continuously improving products. Specifications are subject to change without notice.