



STAINLESS STEEL
SMART SERIES™
UNDERMOUNT SINK BOWLS
SUPER SIZE



Item #: _____ Qty #: _____
 Model #: _____
 Project #: _____



FEATURES:

One piece seamless **Deep Drawn** stainless steel bowls.
 All bowls are supplied with sound deadening pads.
 Units feature Advance Tabco's **Smart Finish™**.
 Supplied with 3-1/2" drain opening. Drain Not included.

MATERIALS:

Type 304 Series Stainless steel.

OPTIONAL:

K-6 - 3-1/2" Basket Drain Assembly

OEM Bowls welded by others into stainless steel products.
 Multiple compartment assemblies available. Call for pricing.

Templates are provided at customer's request

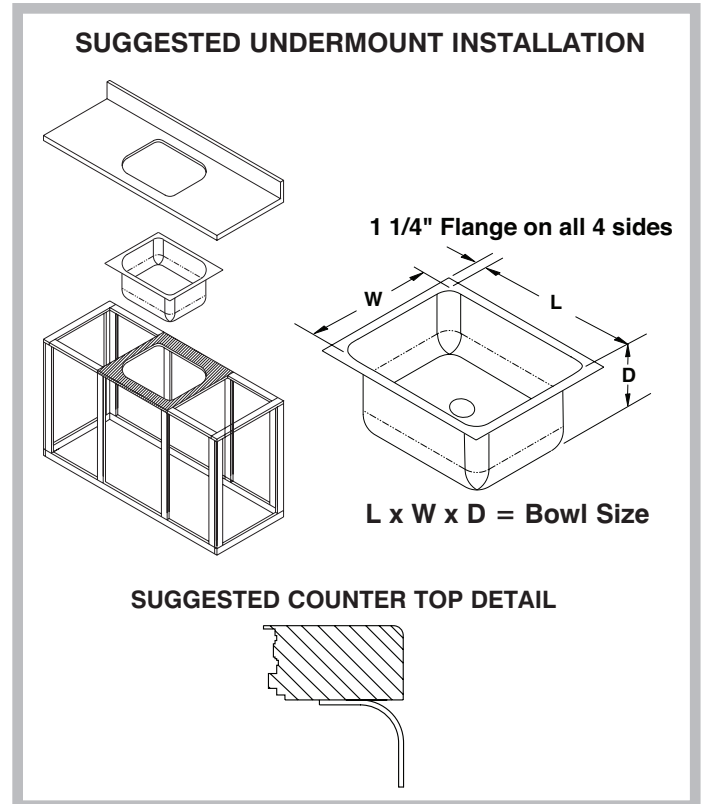
| Model # | Gauge | Bowl Size LxWxD | Radius | O.D. Trim Size |
|----------------|-------|--------------------|--------|-------------------|
| 1014B-05 | 20 | 10" x 14" x 5" | 2" | 12 1/2" x 16 1/2" |
| 1014A-10 | 20 | 10" x 14" x 10" | 2" | 12 1/2" x 16 1/2" |
| 1014A-10A | 18 | 10" x 14" x 10" | 2" | 12 1/2" x 16 1/2" |
| CO-1014A-10RE* | 18 | 10" x 14" x 10" | 2" | 12 1/2" x 16 1/2" |
| CO-1416A-10RE* | 18 | 14" x 16" x 10" | 3" | 18 1/2" x 22 1/2" |
| 1620A-10 | 18 | 16" x 20" x 10" | 3" | 18 1/2" x 22 1/2" |
| 1620A-12 | 18 | 16" x 20" x 12" | 3" | 18 1/2" x 22 1/2" |
| 1620A-14A | 14 | 16" x 20" x 14" | 3" | 18 1/2" x 22 1/2" |
| 1824A-12 | 18 | 18" x 24" x 12" | 3" | 20 1/2" x 26 1/2" |
| 1824A-14A | 14 | 18" x 24" x 14" | 3" | 20 1/2" x 26 1/2" |
| 2020A-12 | 18 | 20" x 20" x 12" | 3" | 22 1/2" x 22 1/2" |
| 2020A-14 | 18 | 20" x 20" x 14" | 3" | 22 1/2" x 22 1/2" |
| 2028A-12 | 16 | 20" x 28" x 12" | 3" | 22 1/2" x 30 1/2" |
| 2028A-14A | 14 | 20" x 28" x 14" | 3" | 22 1/2" x 30 1/2" |
| 2424A-14A | 14 | 24" x 24" x 14" | 3" | 26 1/2" x 26 1/2" |

* Includes Residential Finish & Packaging. Add **K-350** for Other Models to Add Residential Finish & Packaging.

**DIMENSIONS
 and SPECIFICATIONS**

TOL ± .125"

ALL DIMENSIONS ARE TYPICAL



Customer Service Available To Assist You **1-800-645-3166** 8:30 am - 8:00 pm E.S.T.

For Orders & Customer Service:
 Email: customer@advancetabco.com or Fax: 631-242-6900

For Smart Fabrication™ Quotes:
 Email: smartfab@advancetabco.com or Fax: 631-586-2933