



SERVING THE FOOD INDUSTRY SINCE 1951

## Countertop Step-Up Gas Hot Plates

Items:	47382	47383	47384
Models:	CE-CN-HP12-S	CE-CN-HP24-S	CE-CN-HP36-S

47382



47383



47384



**Offering flexibility allowing you to expand your menu and better meet customer preferences.**

Omcan's gas equipment answers the needs of modern, busy catering establishments for reliable, well-built equipment that offers flexibility, performance, style and value for money. Omcan gas equipment has been designed with safety, ease of operation and performance as paramount. Omcan has a stylish and robust modular design, constructed of high quality brushed stainless steel, large "cool to touch" dials, large heavy-duty adjustable feet and easy to clean and remove accessories.

### KEY FEATURES

- ✓ 12" x 12" iron grates, and octagonal open burner
- ✓ Standing pilot light for each burner
- ✓ Front stainless steel edge and cabinet
- ✓ Manually controlled independent cooking zones
- ✓ Adjustable stainless steel non-skid feet
- ✓ Full width front crumb trays which are easy to remove and clean
- ✓ Large and robust dial controls
- ✓ 3/4" rear gas connection

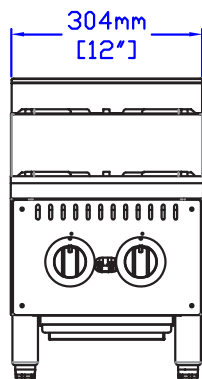


## TECHNICAL SPECIFICATION

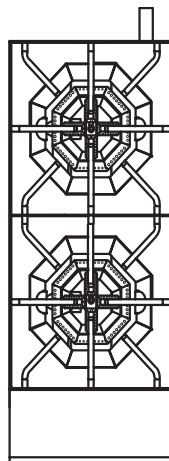
Features	12" Width, 2 Burners	24" Width, 4 Burners	36" Width, 6 Burners
Items	47382	47383	47384
Models	CE-CN-HP12-S	CE-CN-HP24-S	CE-CN-HP36-S
BTU	52,000	104,000	156,000
Gas Type	Natural Gas		
Number of Burners	2	4	6
Pre-heat Time	3 Minutes		
Cooking Area (WxD)	12" x 23.86" (304.8 x 606 mm)	24" x 23.86" (609.6 x 606 mm)	36" x 23.86" (914.4 x 606 mm)
Conversion Kit Included	Yes		
Net Dimensions (WDH)	12" x 27.6" x 18.8" (304.8 x 701 x 477.5 mm)	24" x 27.6" x 18.8" (609.6 x 701 x 477.5 mm)	36" x 27.6" x 18.8" (914.4 x 701 x 477.5 mm)
Gross Dimensions (WDH)	15.75" x 33.46" x 23.45" (400 x 850 x 595.6 mm)	27.56" x 33.46" x 23.45" (700 x 850 x 595.6 mm)	39.37" x 33.46" x 23.45" (1000 x 850 x 595.6 mm)
Net Weight	77.2 lbs. (35 kg)	117.9 lbs. (53.5 kg)	157.6 lbs. (71.5 kg)
Gross Weight	105.8 lbs. (48 kg)	158.7 lbs. (72 kg)	210.5 lbs. (95.5 kg)

## TECHNICAL DRAWINGS

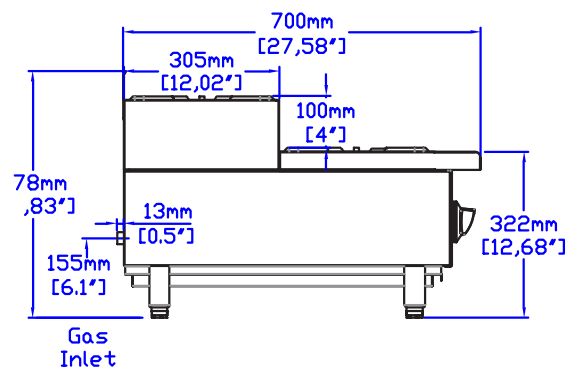
47382



Front



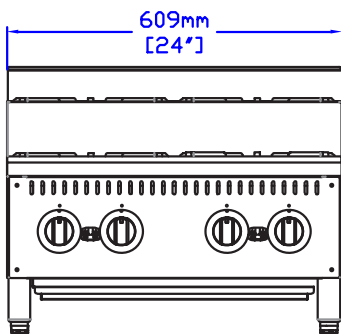
Top



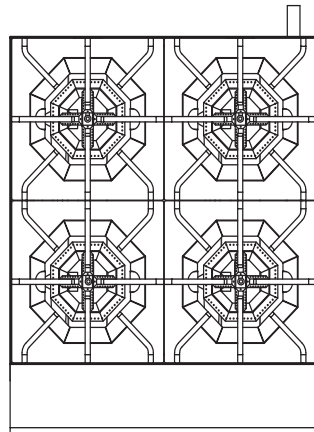
Side

## TECHNICAL DRAWINGS

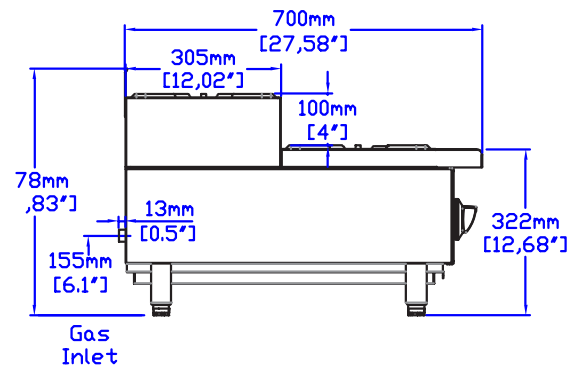
47383



Front

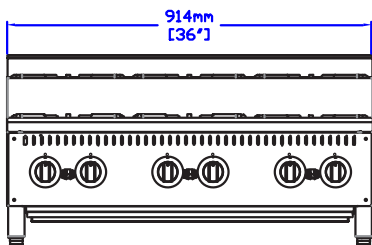


Top

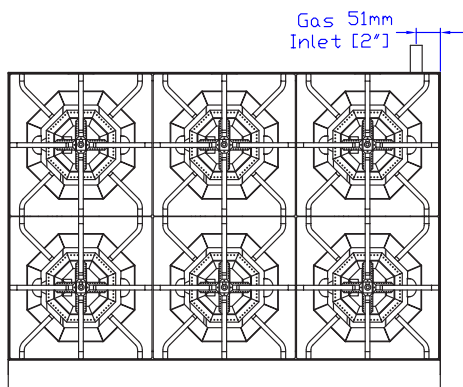


Side

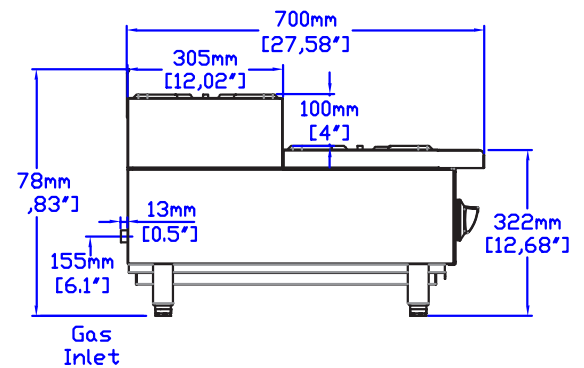
47384



Front



Top



Side