



Work Tables With Backsplash, Sliding Doors & Drawers

ITEM: 43483 43484 43485



Utilize Your Kitchen Space with Omcan's Spacious Work Tables.

Made from durable 18 gauge 430 stainless steel, these sturdy work tables are ideal for storing container and utensil storage, preparation supplies while providing a solid work surface. Bullet feet on stainless steel legs provide maximum stability, and full metal construction makes cleaning a breeze.

- Locking Drawers
- Full Stainless Steel Construction
- 1.5" Thick Shelving
- Non-Slip Bullet Feet

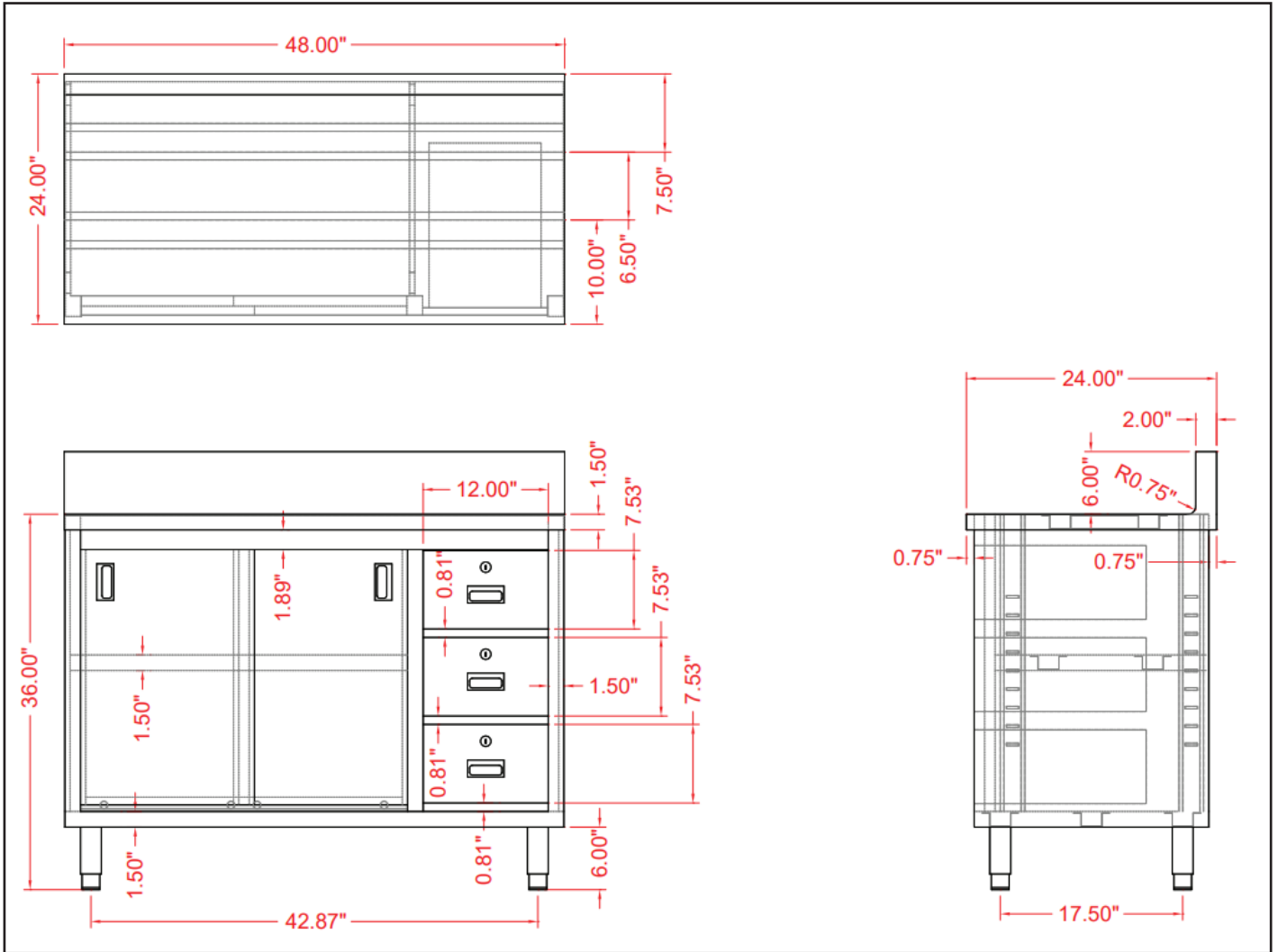


TECHNICAL SPECIFICATION

Item	43483
Shelf Load Capacity	160 lbs. (72.5 kg.)
Shelf Dimensions	32.5" x 19.5" x 1.5" (826 x 495 x 38 mm)
Net Dimensions	48" x 24" x 42" (1219 x 610 x 1067 mm)
Gross Dimensions	49" x 25" x 43" (1245 x 635 x 1092 mm)
Gross Weight	188 lbs. (85 kg.)



TECHNICAL DRAWING



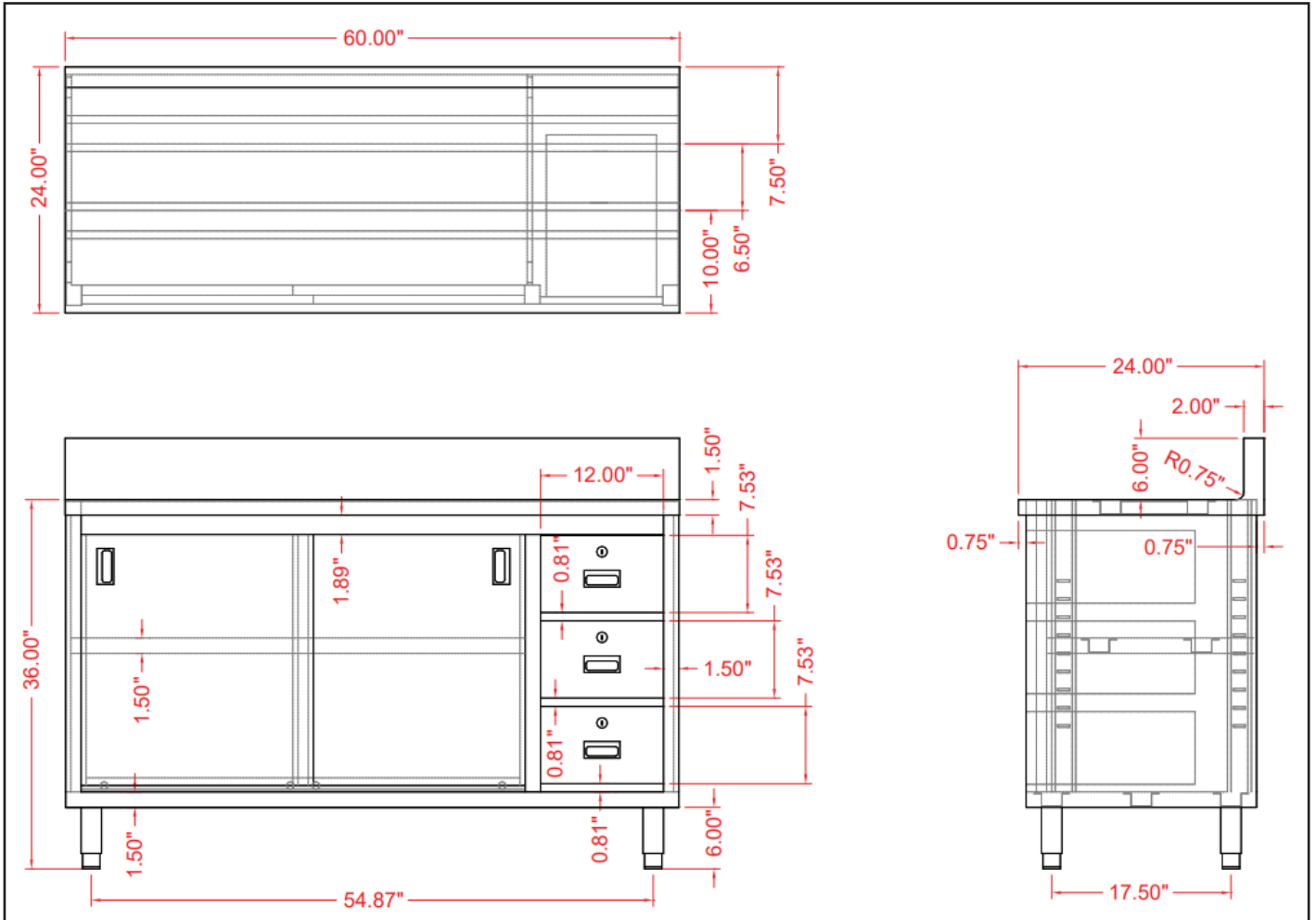
BMAD System (Low maintenance high performance). Dimensions rounded up to the nearest inch or millimeter. Specifications subject to change without notice.

TECHNICAL SPECIFICATION

Item	43484
Shelf Load Capacity	175 lbs. (79 kg.)
Shelf Dimensions	44.5" x 19.5" x 1.5" (1130 x 495 x 38 mm)
Net Dimensions	60" x 24" x 42" (1524 x 610 x 1067 mm)
Gross Dimensions	61" x 25" x 43" (1550 x 635 x 1092 mm)
Gross Weight	220 lbs. (100 kg.)



TECHNICAL DRAWING



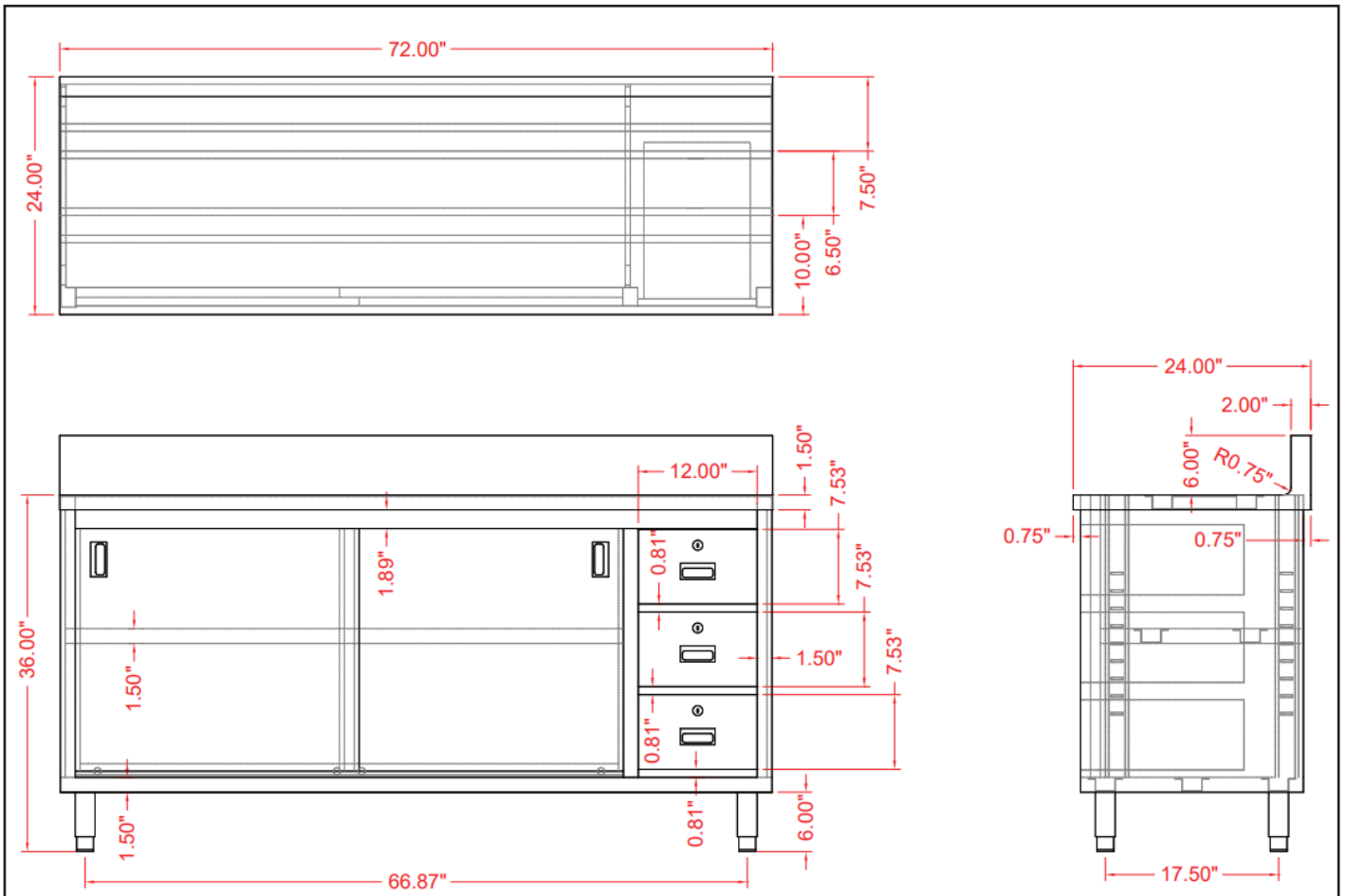
BMAD System (Low maintenance high performance). Dimensions rounded up to the nearest inch or millimeter. Specifications subject to change without notice.

TECHNICAL SPECIFICATION

Item	43485
Shelf Load Capacity	218 lbs. (99 kg.)
Shelf Dimensions	32.5" x 19.5" x 1.5" (826 x 495 x 38 mm)
Net Dimensions	72" x 24" x 42" (1829 x 610 x 1067 mm)
Gross Dimensions	73" x 25" x 43" (1854 x 635 x 1092 mm)
Gross Weight	251 lbs. (114 kg.)



TECHNICAL DRAWING



BMAD System (Low maintenance high performance). Dimensions rounded up to the nearest inch or millimeter. Specifications subject to change without notice.