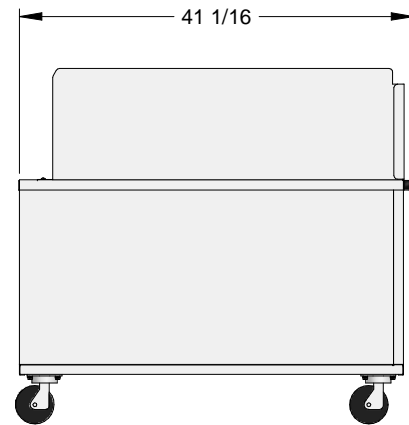
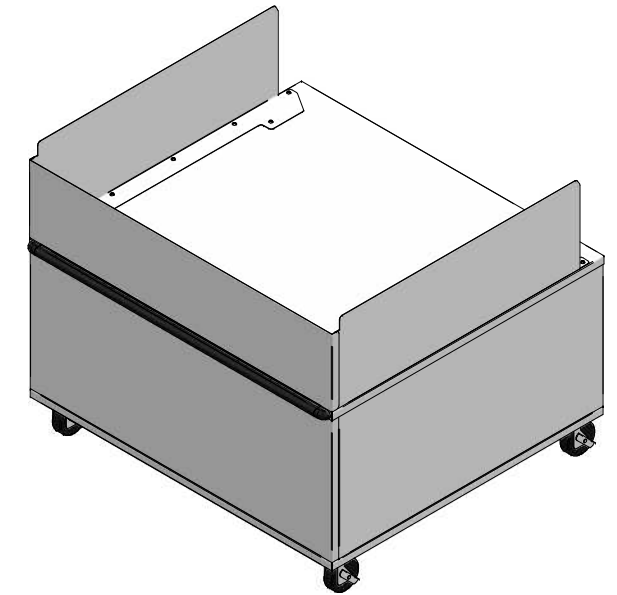
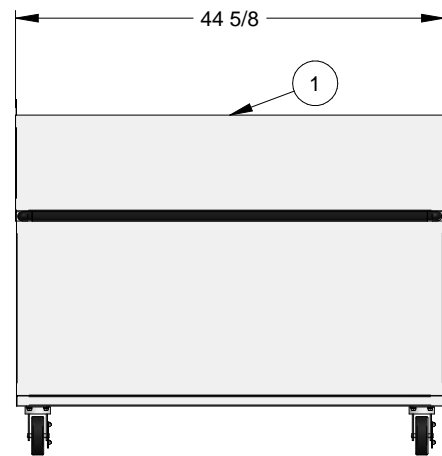


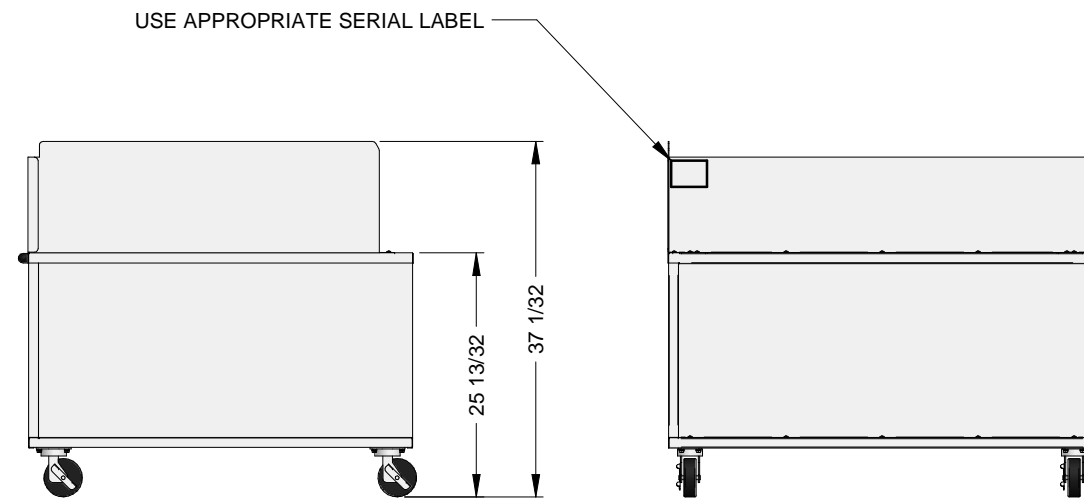
TOP



LEFT

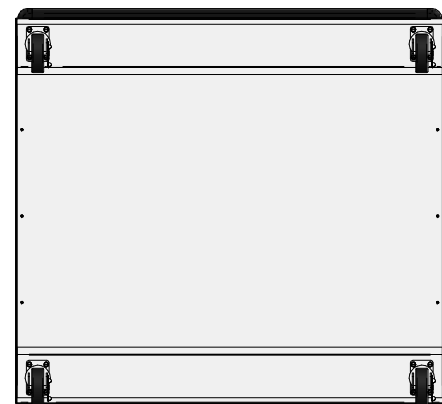


FRONT



RIGHT


BACK



BOTTOM

DEBURRING: PART TO BE FREE OF ALL BURRS AND SHARP EDGES.

ITEM	PART NO.	DESCRIPTION	QTY
1	94722	ASSY, CABINET, GHM4 BASE	1

A	RELEASE FOR PRODUCTION	11/2/15	FFJ	ECO
SYM.	DESCRIPTION	DATE	BY	ECO #
REVISIONS				
 MONTGOMERY, ALABAMA		RESTRICTED CONFIDENTIAL DOCUMENT		
		<small>THIS DRAWING AND ALL THE INFORMATION SHOWN HEREON ARE THE EXCLUSIVE PROPERTY OF GILES ENTERPRISES, INC. AND ARE SUBMITTED ONLY ON A CONFIDENTIAL BASIS. THE RECIPIENT AGREES NOT TO REPRODUCE THE DRAWING, TO RETURN IT UPON REQUEST, AND THAT NO DISCLOSURE OF THE DRAWING OR THE INFORMATION SHOWN HEREON WILL BE MADE TO A THIRD PARTY WITHOUT THE PRIOR WRITTEN CONSENT OF GILES ENTERPRISES, INC.</small>		
SHEET METAL DEPT. DECIMALS .XX = ±.031 .XXX = ±.020 ANGULAR ± 2°		TITLE: BASE, PUP-4 FOR GHM4-C, S/S		
MACHINE SHOP DECIMALS .XX = ±.010 .XXX = ±.005 ANGULAR ± 0.5°		SUBJECT/MODEL: PUP-4		
WELDING/ASSEMBLY DEPT. DECIMALS/FRACTIONS ±1/32 ANGULAR ± 0.5°		RAW MATL: DEPT.: ASSEMBLY		
TOLERANCES UNLESS OTHERWISE SPECIFIED		DWG. BY: FFung		DATE: 11/2/2015
		CH. BY:	SCALE: NONE	DWG. NO.: 71654