

SPACESAVING DESIGN

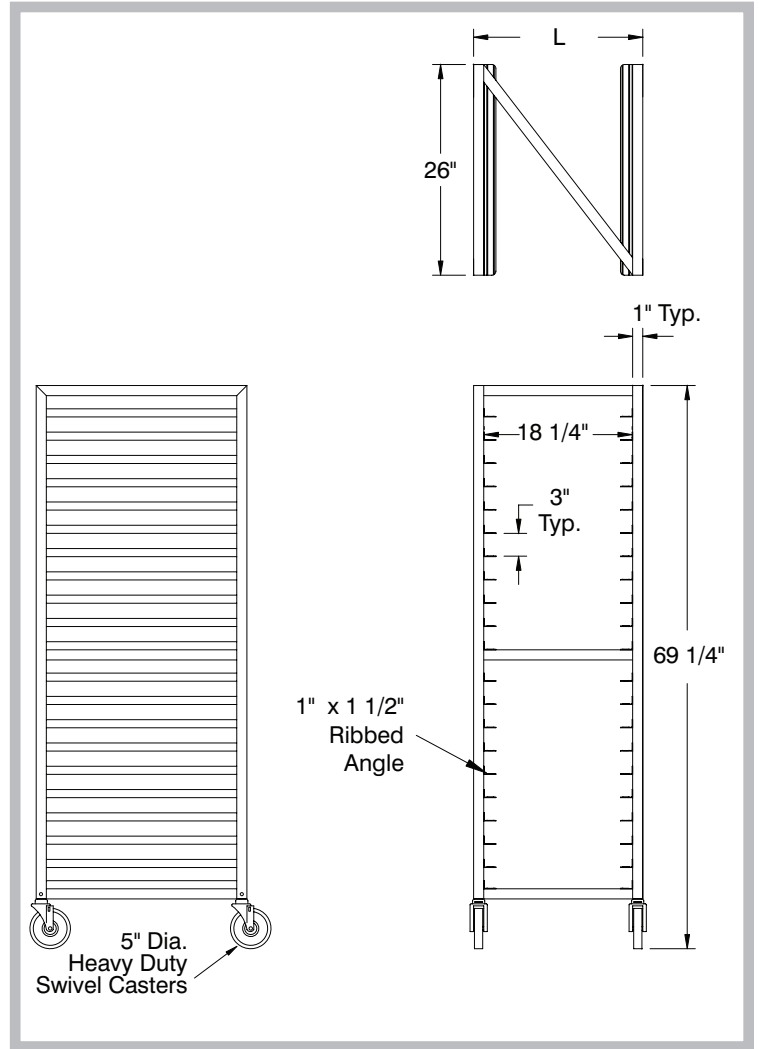


Item #: _____ Qty #: _____
 Model #: _____
 Project #: _____

**DIMENSIONS
and SPECIFICATIONS**

TOL ± .500"

ALL DIMENSIONS ARE TYPICAL



FEATURES:

Nesting design to facilitate maximum storage in minimum space.

Heavy Duty welded construction.

12 or 20 Pan capacity.

1" x 1-1/2" ribbed angles.

Heavy Duty 5" Stem Swivel Casters.

500 lb. Maximum Load.

CONSTRUCTION:

Fully welded 1" square tubing frame and diagonal cross supports.

Angles are 1" x 1/1/2" fully welded

MATERIAL:

Extruded aluminum angles, upright tubing and support pieces.

MODEL #	Pan Capacity	Shelf Spacing	Overall Size L x W x H	Weight
NR-20	20 Full or 40 Half Size	3"	21" x 26" x 69 1/4"	29 lbs.