

## Heated Display Cabinet | DCH

---



**DCH-1000**



**DCH-800**



**DCH-500**

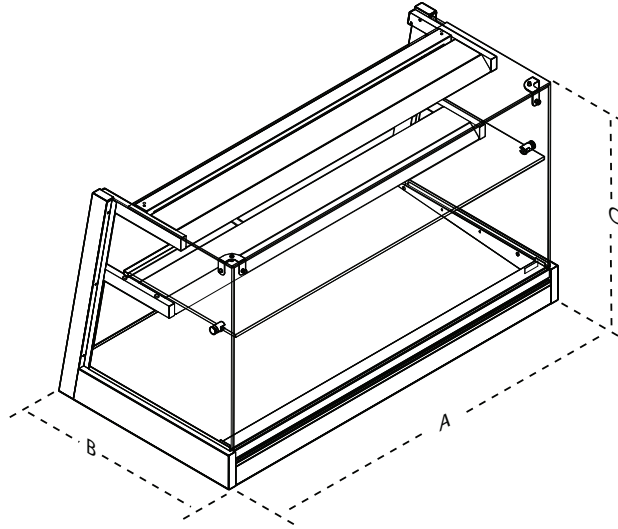
Showcase your baked goods in the best possible light with the new and redesigned Heated Display Cabinets. The squared front edge and two tiers for product display allow operations to put more items in front of the customer. The glass front, top and side panels ensure customers will have a full view of the items inside. With controls for temperature setting, lighting, and heat power, operations can easily adjust the settings for all types of products.

### FEATURES

- Two levels of display to showcase a variety of products.
- Glass shelf, front panel, and side panel provide customers with full visibility of products.
- Built-in LEDs ensure products are always shown in the best possible light.
- Adjustable temperature range of 150-165°F (66-74°C).
- Angled, open back provides operations with easy access to all products.
- Rear panel allows operations to easily control the temperature setting, lighting, and heat power.

# Heated Display Cabinet | DCH

## Dimensions



## Electrical Ratings and Plug Configuration

Model & Mfg. No.	Volts	Watts	Amps.	Hertz	Plug Description
DCH-500 9500720	120	500	4.2	50/60	NEMA 5-15P 15 Amp., 120 Volt
DCH-800 9500650	120	800	6.7	50/60	NEMA 5-15P 15 Amp., 120 Volt
DCH-1000 9500640	120	1000	8.3	50/60	NEMA 5-15P 15 Amp., 120 Volt

Model & Mfg. No.	Width (A)	Depth (B)	Height (C)
DCH-500 9500720	23 3/4" (603 mm)	24 1/2" (622 mm)	28" (711 mm)
DCH-800 9500650	35 3/4" (908 mm)	24 1/2" (622 mm)	28" (711 mm)
DCH-1000 9500640	47 3/4" (1,213 mm)	25" (635 mm)	27 1/2" (699 mm)

P/N 1020471 01/17