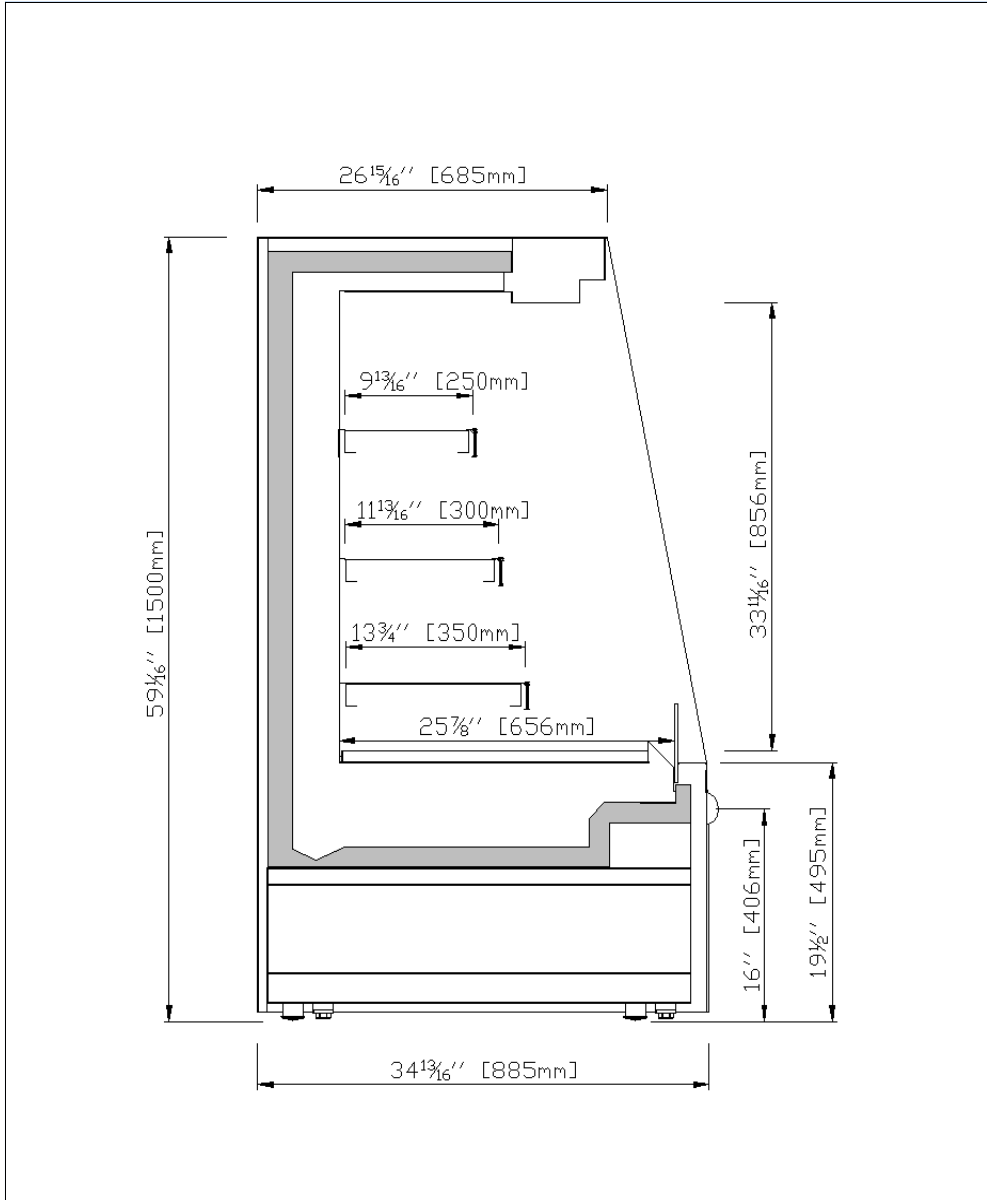




NUMBER	DTI-1928UL
MODEL	SML
EDITION	0
DATE	25/06/2019
VERSION	00





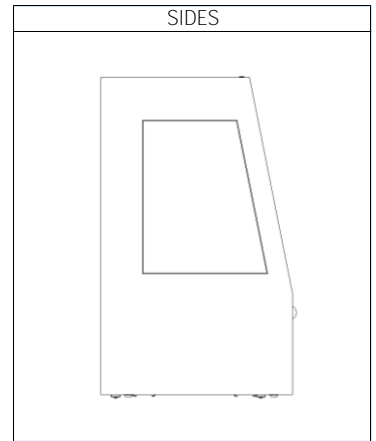
MODEL	
SML	
MODULES	

Edition : 0 | Date: 25/06/2019

Code : DTI-1928UL

version: 00

In accordance with:  
UL471 and NSF7



MERCHANDISING DATA

		MODELS			
		SML09	SML12	SML18	
Length (with sides included)	in	40	52 1/3	77	
	mm	1018	1330	1955	
Refrigerated area	Ft <sup>2</sup>	15 1/6	20 1/4	30 1/4	
	m <sup>2</sup>	1,41	1,88	2,81	
Useful volume	Ft <sup>3</sup>	10 5/8	14 1/6	21 1/4	
	Lts	301	401	602	
TDA - Total Display Area	Ft <sup>2</sup>	8 3/5	11 1/2	17 1/3	
	m <sup>2</sup>	0,80	1,07	1,61	
N° of shelves			3		
Control			DIGITAL		
Weight	Lbs	419	575	615	
	Kg	190	261	279	
Packaging dimensions	in	43 5/8 x 66 1/7 x 38	56 2/7 x 66 1/7 x 38	81 x 66 1/7 x 38	
	mm	1108 x 1680 x 965	1430 x 1680 x 965	2055 x 1680 x 965	

Volts / Frequency
115v / 60Hz.

NOISE LEVEL
63dB

REFRIGERANT
R452a

MODEL
SML

REFRIGERATION DATA - REGULATION AND CONTROL

		M1	
INTERIOR TEMPERATURE	SET	+ 0 °C	32 °F
	DIFFERENCIAL	4	
DEFROST TYPE		NATURAL	
N° DEFROST / DAY		20	
MAXIMUM DEFROST TIME		8'	
END DEFROST TEMPERATURE		- °C	## °F
MINIMUM DEFROST TIME		8'	

In accordance with:	UL471 and NSF7
---------------------	----------------

Room Temperature	Relative humidity	Climate class
+ 31 °C   88 °F	60 %	3

TEMPERATURE CLASSIFICATION

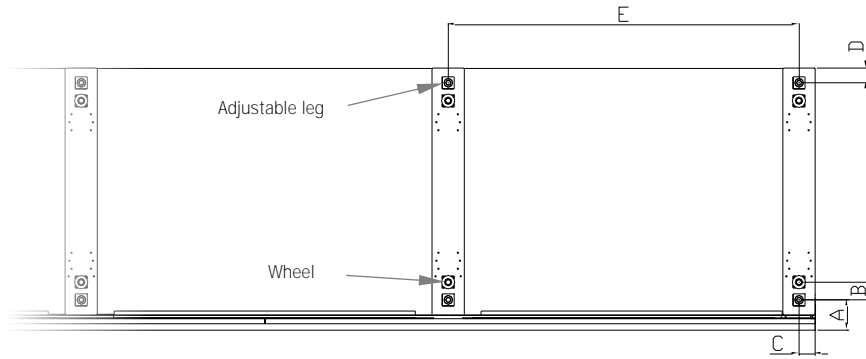
		Climate class	
		3	
PRODUCT TEMPERATURE	+ 1 °C	33,8 °F	
MEDIUM PRODUCT TEMPERATURE	+ 2 °C	35,6 °F	
EVAPORATION	VENTILATED		
CONDENSATION	VENTILATED		
EVAPORATION TRAY	HEATED		

INSTALLATION BASE FURNITURE DATA

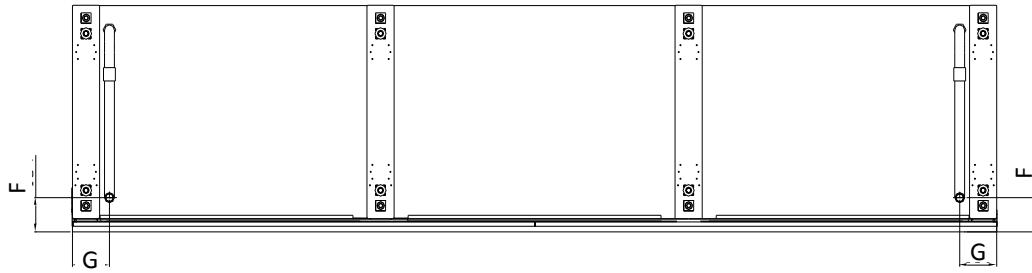
		MODEL			
			SML09	SML12	SML18
COMPRESSOR	N°		1	1	1
	V/Frq		115V/60Hz		
	W		692	896	1236
	A		7,7	10,77	12,08
	Hp		3/4	1	1+1/4
REFRIGERANT			R452a		
	gr		540	760	1100
EVAPORATOR FANS	N°		1	2	2
	V/Frq		115V/60Hz		
	W		26	26	26
	A		0,35	0,35	0,35
CONDENSER FANS	N°		1	2	2
	V/Frq		115V/60Hz		
	W		34	34	34
	A		0,45	0,45	0,45
EVAPORATION RESISTANCE	V/Frq		115V/60Hz		
	W		900	900	900
	A		7,83	7,83	7,83
CANOPY AND SHELVES LIGHTING	LED	V/Frq	115V/60Hz		
		W	29,81	40,06	59,93
		A	0,26	0,35	0,52
AMPERES			8,76	12,72	14,20
CONSUMPTION	kWh/24h		14,71	21,35	23,84

LEGS, WHEELS, DRAINS, ELECTRIC BOX

MODEL  
SML



	A		B		C		D		E	
	in	mm	in	mm	in	mm	in	mm	in	mm
SML09	4	102,5	2 1/3	60	2 1/6	55	2	49,5	-	-
SML12	4	102,5	2 1/3	60	2 1/6	55	2	49,5	-	-
SML18	4	102,5	2 1/3	60	2 1/6	55	2	49,5	34 3/4	882,5



	F		G	
	in	mm	in	mm
SML09	5 2/7	134	6	150
SML12	5 2/7	134	6	150
SML18	5 2/7	134	6	150

