



Food Processor
Prep4You cutter mixer 2.6l/2.7qt, 1
speed, 750w, nema 5-15p

ITEM # _____
 MODEL # _____
 NAME # _____
 SIS # _____
 AIA # _____



602247 (DK26US)

Cutter Mixer 2.6 lt/2.7qt with stainless steel bowl, 1800 rpm, NEMA 5-15P plug

Short Form Specification

Item No. _____

Cutter Mixer. 2.6 litres/2.7qt, stainless steel bowl with scraper and central feed hole for adding products in mid-cycle. Transparent copolyester lid. Microtoothed blade rotor. Angled blades and conical base of the bowl ensure consistent mixing. All ingredients are processed evenly and quickly thanks to a special flow generated inside the bowl. No-volt release system prevents accidental start of the appliance. All parts in contact with food are removable and Dishwasher safe. Waterproof, easy to clean, flat, soft-touch buttons. Single speed 1800 rpm with on/pulse/off function for simple operations. With NEMA 5-15P plug.

Main Features

- Tabletop cutter mixer and emulsifier allowing fast chopping, mixing, mincing, grinding, liquidizing and kneading.
- Includes 2.7 quart transparent copolyester bowl with micro-toothed blades rotor.
- Bowl/lid scraper included for uniform smooth results (emulsifying) and continuous working.
- Transparent lid, with funnel shaped hole, to add ingredients during use.
- All ingredients are processed evenly and quickly thanks to a special movement generated inside the bowl.
- Easy to clean and watertight control panel with on/off button and pulse function.
- Pulse function to coarse chopping.
- All parts in contact with food are removable without the use of tools, completely dismountable and dishwasher safe.
- ErgoCert 4-star certification for ergonomic design and ease of use.
- Productivity up to 50 settings per service.

Construction

- Transparent copolyester bowl
- Microtoothed blades in 420 AISI stainless steel and ergonomic scraper in high resistant composite material to ensure consistent mixing.
- compact design, easy to move and store.
- IPX5 (IP55) flat panel touch-control, watertight panel.
- Main switch ON/OFF on the back of the appliance.
- Asynchronous industrial motor with no brushes for high reliability and quiet functioning, stainless steel motor shaft.
- Food safety assured thanks to BPA-free materials and compliance with NSF standards.
- Product safety in accordance with international and UL standards.
- 1 speed: 1800 rpm.
- Motor power: 1 HP/ 750 Watt.

APPROVAL: _____

Prep4You cutter mixer 2.6l/2.7qt, 1 speed, 750w, nema 5-15p Food Processor



Food Processor Prep4You cutter mixer 2.6l/2.7qt,1 speed, 750w, nema 5-15p

Included Accessories

- 1 of Transparent lid for 2,6lt Cutter Mixer bowl PNC 650117
- 1 of Microtoothed blade rotor for 2.6lt Cutter Mixer PNC 650226
- 1 of Stainless steel bowl for 2,6lt Cutter Mixer PNC 650228
- 1 of Scraper for 2.6lt Cutter Mixer bowl PNC 650230

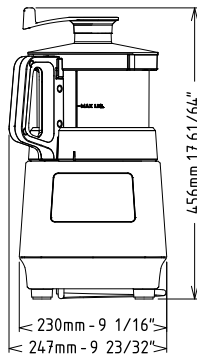
Optional Accessories

- Transparent lid for 2,6lt Cutter Mixer bowl PNC 650117
- Transparent lid without sealing for 3,6lt Cutter Mixer bowl (1 speed models) PNC 650118
- Microtoothed blade rotor for 2.6lt Cutter Mixer PNC 650226
- SMOOTH BLADE ROTOR FOR 2.7QT CUTTER MIXER PNC 650227
- Stainless steel bowl for 2,6lt Cutter Mixer PNC 650228
- Transparent copolyester bowl for 2,6lt Cutter Mixer PNC 650229
- Scraper for 2.6lt Cutter Mixer bowl PNC 650230
- STAINLESS STEEL BOWL FOR 2.7QT CUTTER MIXER, MICROTOOTHED ROTOR, LID WITH SCRAPER PNC 650231
- Microtoothed blade rotor for 3.6lt Cutter Mixer PNC 650233
- SMOOTH BLADE ROTOR FOR 3.8QT CUTTER MIXER PNC 650234
- Stainless steel bowl for 3.6lt Cutter Mixer PNC 650235
- Scraper for 3.6lt Cutter Mixer bowl PNC 650236
- Transparent bowl for 2,6lt cutter mixer, microtoothed rotor, lid with scraper PNC 650245

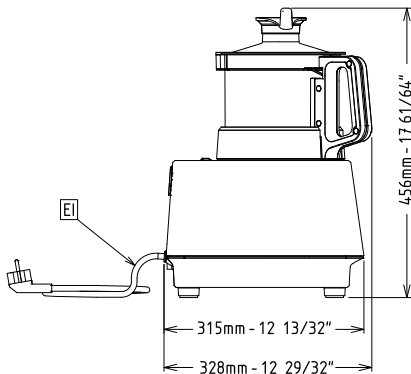


Food Processor Prep4You cutter mixer 2.6l/2.7qt, 1 speed, 750w, nema 5-15p

Front

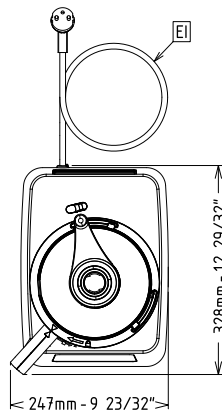


Side



EI = Electrical connection

Top



Electric

Supply voltage:

602247 (DK26US) 115 V/1N ph/60 Hz

Electrical power, max: 0.8 kW

Total Watts: 0.8 kW

Capacity:

Performance (up to):

Capacity: 2.6 Litre

Key Information:

External dimensions, Width:

247 mm

External dimensions, Depth:

328 mm

External dimensions, Height:

456 mm

Shipping weight:

17.9 kg

Meat mincing capacity:

0 kg

Mayonnaise preparation capacity:

0 kg

Pastry preparation capacity:

0 kg

Food Processor
Prep4You cutter mixer 2.6l/2.7qt, 1 speed, 750w, nema 5-15p

The company reserves the right to make modifications to the products without prior notice. All information correct at time of printing.

2023.09.25